

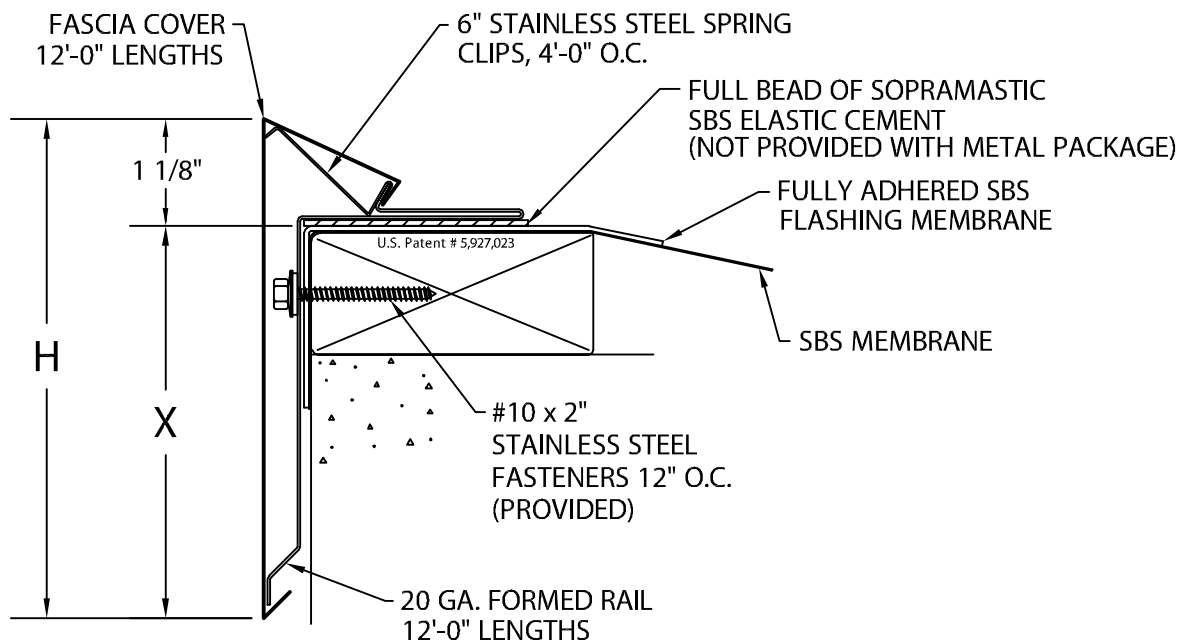


SOPRA-EDGE MODIFIED FASCIA

MODIFIED VERSION

ANSI/SPRI ES-1 DESIGN PRESSURE OF 200 psf

24 GA. AND .040" MATERIAL



FASCIA COVER PROVIDED WITH 1" LAP JOINTS

FASCIA DIMENSIONS

PRODUCT ID. NO.	H DIM	X DIM	NAILER COVERAGE
<input type="checkbox"/> ESE-M50	5" (130 mm)	3 7/8" (102 mm)	2 NAILERS
<input type="checkbox"/> ESE-M65	6 1/2" (168 mm)	5 3/8" (140 mm)	3 NAILERS
<input type="checkbox"/> ESE-M80	8" (206 mm)	6 7/8" (178 mm)	4 NAILERS

MATERIAL:

24 Ga. Galv. Steel
 .040" Aluminum
 OTHER _____

Color: _____

Finish: _____

Fabrication will proceed only after receipt of signed print approval.

Print Approval:

Architect and/or contractor shall verify all dimensions, sizes and quantities. All products to be installed in strict accordance with SOPREMA's printed instructions.

Approved by: _____

Date: _____

QUANTITIES:

_____ Lineal Feet 12'-0" Lengths
 _____ Outside Miters @ 90° (Cover Only)
 _____ Inside Miters @ 90° (Cover Only)
 _____ Overflow Scupper Style ___A___B
 _____ Spillout Scupper Style ___A___B
 _____ Downspout Scupper Style ___A___B
 (____X____) Size A: Tapered 1 1/2"
 B: Flat

FOR NON-90 MITERS SEE PRINT APPROVAL #33010-20199

PROJECT:

ARCHITECT:

ROOFING CONTRACTOR:

REPRESENTATIVE/DISTRIBUTOR:

800-356-3521

www.soprema.us

310 Quadral Dr. Wadsworth, OH 44281

f: 330-334-6257



DATE: 01/06/17

DRN BY: JJC

CKD BY: SAK

SHT.# ___ OF ___

DWG# 33010-24050

C