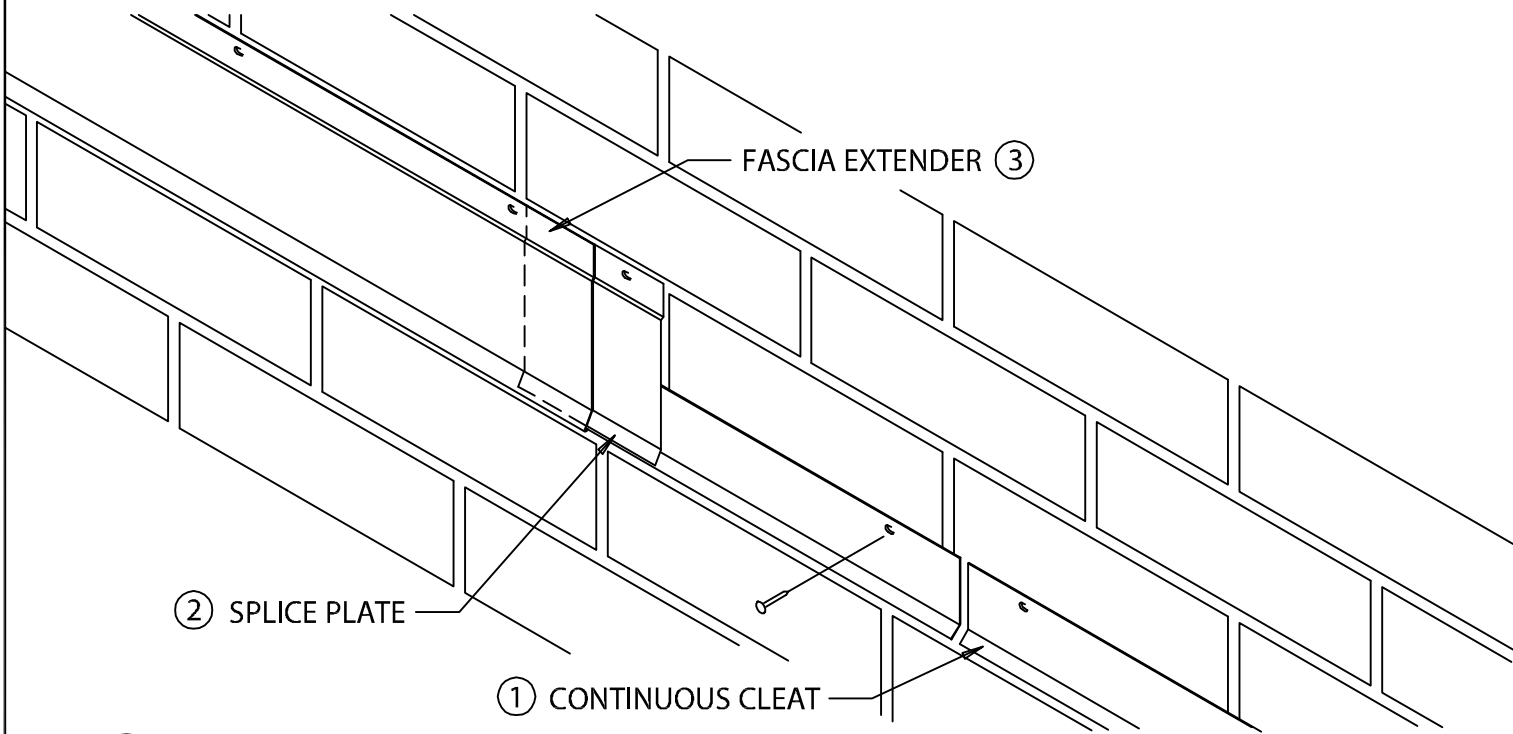


FASCIA EXTENDER

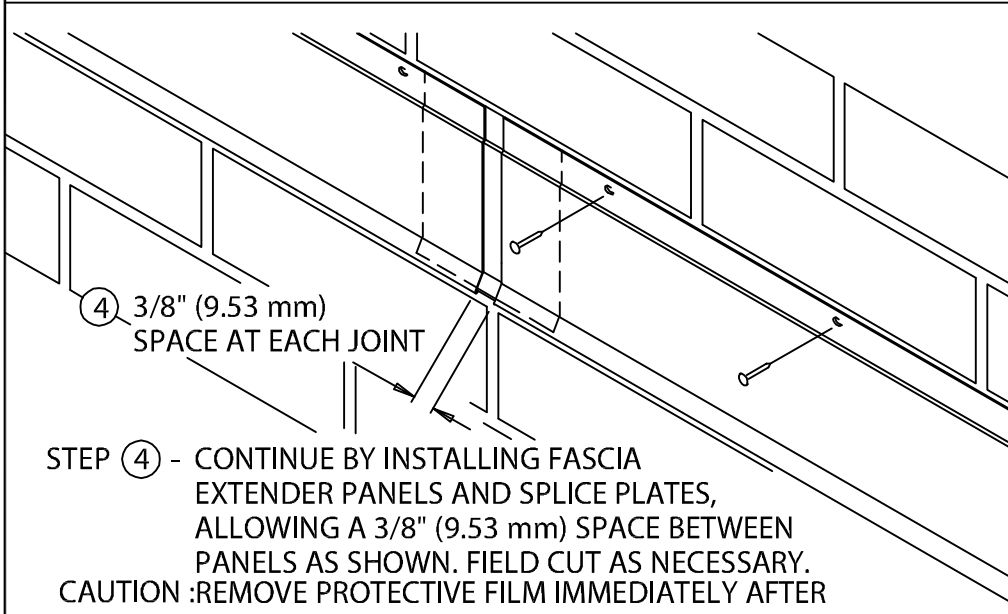
SPLICE PLATE VERSION

INSTALLATION INSTRUCTIONS

NOTE : INSTALL MITERS FIRST.

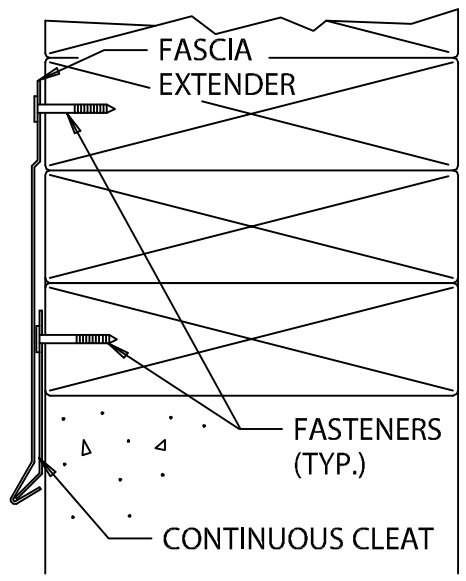


- STEP ① - CAREFULLY POSITION AND FASTEN CONTINUOUS CLEAT 12" (304.8 mm) O.C. AS SHOWN WITH APPROPRIATE FASTENERS. CLEAT SHALL BE INSTALLED TRUE AND LEVEL.
- STEP ② - LOCATE AND FASTEN 3 1/2" (88.9 mm) WIDE SPLICE PLATES AT EACH JOINT.
- STEP ③ - HOOK DRIP EDGE OF EACH FASCIA EXTENDER ONTO CONTINUOUS CLEAT, AND FASTEN WITH APPROPRIATE FASTENERS AT 12" (304.8 mm) O.C.



- STEP ④ - CONTINUE BY INSTALLING FASCIA EXTENDER PANELS AND SPLICE PLATES, ALLOWING A 3/8" (9.53 mm) SPACE BETWEEN PANELS AS SHOWN. FIELD CUT AS NECESSARY.
- CAUTION : REMOVE PROTECTIVE FILM IMMEDIATELY AFTER INSTALLATION. INSTALLERS SHALL WEAR PROTECTIVE EYEWEAR TO PREVENT INJURY.

TYPICAL INSTALLATION (Substrate may vary per job conditions.)



800-356-3521
www.soprema.us

310 Quadral Dr.
Wadsworth, OH 44281
f: 330-334-6257

DATE: 08/04/15
DRN BY: JJC
CKD BY: SAK

SHT.# ___ OF ___
DWG# 33114-22372

A