

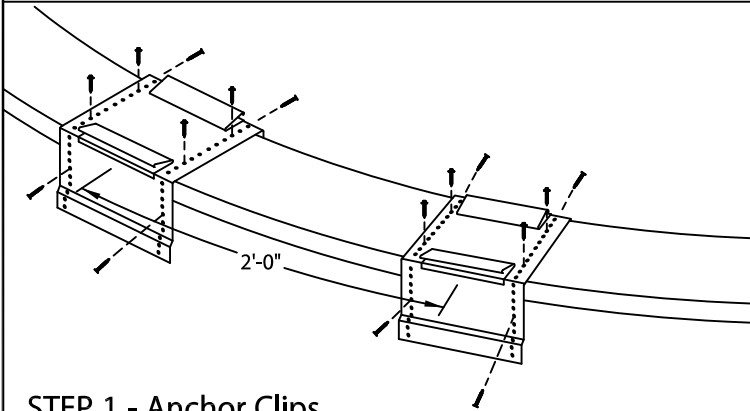


# ELEVATE GOLD RADIUS COPING

FLAT OR TAPERED VERSION - 2'-0" O.C.

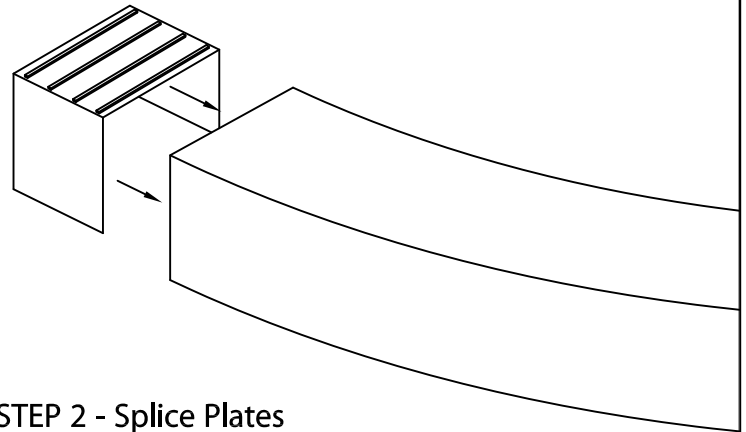
## INSTALLATION INSTRUCTIONS

**NOTE:** Position the roofing membrane up and over the top of the wall and down the outside face of the wall covering the treated wood nailer(s) completely. Allow 1/2" excess membrane if necessary.



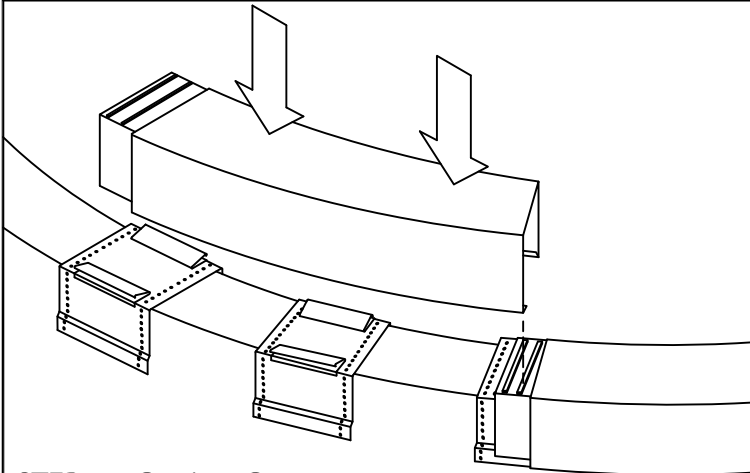
### STEP 1 - Anchor Clips

Locate and fasten anchor clips at 2'-0" O.C. with provided fasteners for substrate (see detail A).



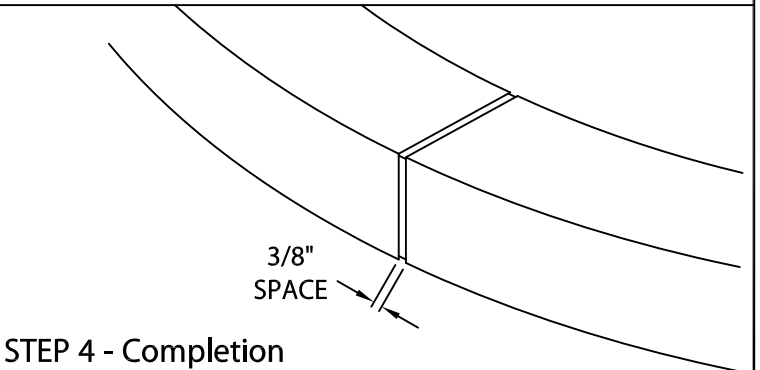
### STEP 2 - Splice Plates

Remove release paper from left two sealant strips. Insert splice plate into the right end of radius section.



### STEP 3 - Coping Cover

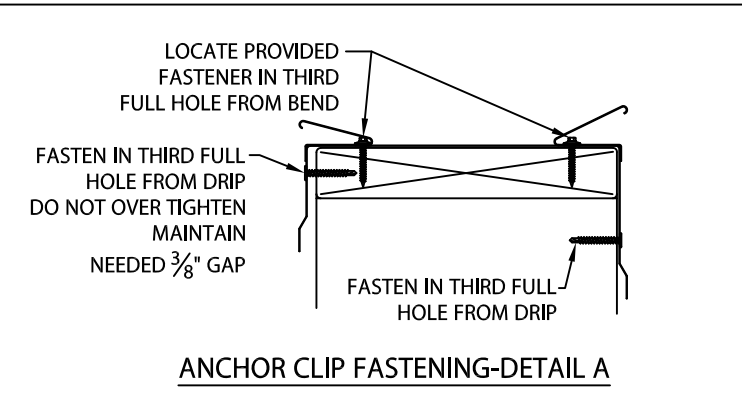
Remove release paper from right two factory applied sealant strips on the splice plate in the coping section. Install 4'-0" radius coping sections from left to right. Place coping into position and press downward until snap-lock occurs.



### STEP 4 - Completion

Continue installing coping with a 3/8" space at splice joints to allow for thermal expansion. Field cut where necessary using a fine tooth hacksaw or snips.

**NOTE:** REMOVE PROTECTIVE FILM IMMEDIATELY.



ANCHOR CLIP FASTENING-DETAIL A

