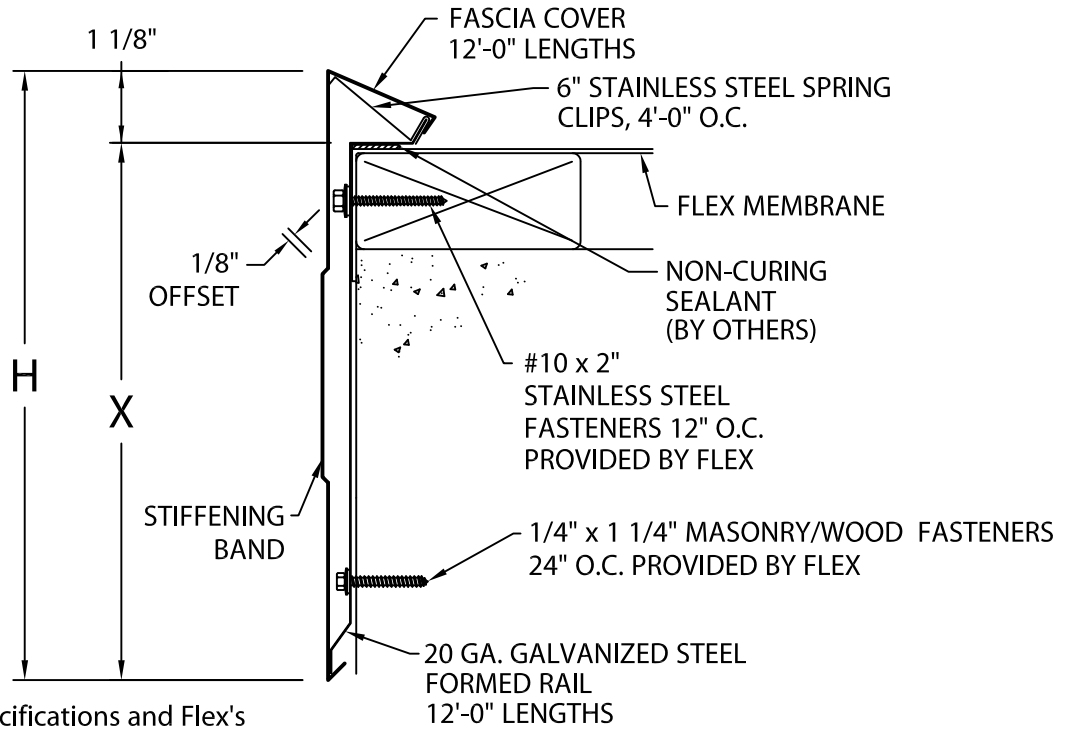


# FLEXLOCK FLT EXTENDED ROOF EDGE

FULLY ADHERED OR MECANICALLY ATTACHED SINGLE-PLY VERSION

ANSI/SPRI ES-1 DESIGN PRESSURE OF 200 psf

WITH STIFFENING BAND



Fascia is to be installed per Specifications and Flex's Installation Instructions Dwg. # 28110-11798

## FLEXLOCK FLT EXTENDED ROOF EDGE DIMENSIONS

| PRODUCT ID. NO.                  | H DIM            | X DIM            | NAILER COVERAGE |
|----------------------------------|------------------|------------------|-----------------|
| <input type="checkbox"/> ME-95S  | 9 1/2" (241 mm)  | 8 3/8" (213 mm)  | 5 NAILERS       |
| <input type="checkbox"/> ME-110S | 11" (279 mm)     | 9 7/8" (251 mm)  | 6 NAILERS       |
| <input type="checkbox"/> ME-125S | 12 1/2" (318 mm) | 11 3/8" (289 mm) | 7 NAILERS       |

FASCIA COVER PROVIDED WITH 3 1/2" SPLICE PLATES

## MATERIAL:

24 Ga. (.65 mm) Galv.      Color: \_\_\_\_\_  
 .040" (1.01 mm) Alum.      Finish: \_\_\_\_\_  
 .050" (1.27 mm) Alum.  
 .063" (1.60 mm) Alum.  
 OTHER \_\_\_\_\_

Fabrication will proceed only after receipt of signed print approval.

## Print Approval:

Architect and/or contractor shall verify all dimensions, sizes and quantities. All products to be installed in strict accordance with Flex's printed instructions.

Approved by: \_\_\_\_\_

Date: \_\_\_\_\_

## QUANTITIES:

\_\_\_\_\_ Lineal Feet 12'-0" (3.65 m) Lengths  
 \_\_\_\_\_ Outside Miters @ ( \_\_\_\_\_ )° (Cover Only)  
 \_\_\_\_\_ Inside Miters @ ( \_\_\_\_\_ )° (Cover Only)  
 \_\_\_\_\_ Overflow Scupper Style \_\_\_A\_\_\_B  
 \_\_\_\_\_ Spillout Scupper Style \_\_\_A\_\_\_B  
 \_\_\_\_\_ Downspout Scupper Style \_\_\_A\_\_\_B  
 ( \_\_\_\_\_ X \_\_\_\_\_ ) Size A: Tapered 1 1/2" (38 mm) Drop  
 B: Flat

PROJECT:

ARCHITECT:

ROOFING CONTRACTOR:

REPRESENTATIVE/DISTRIBUTOR:

Customer Service:

Phone: 800-969-0108

Fax: 610-916-9501



DATE: 10/17/18

DRN BY: JJC

CKD BY: SAK

SHT.# \_\_\_\_\_ OF \_\_\_\_\_

DWG# 28310-11799

D