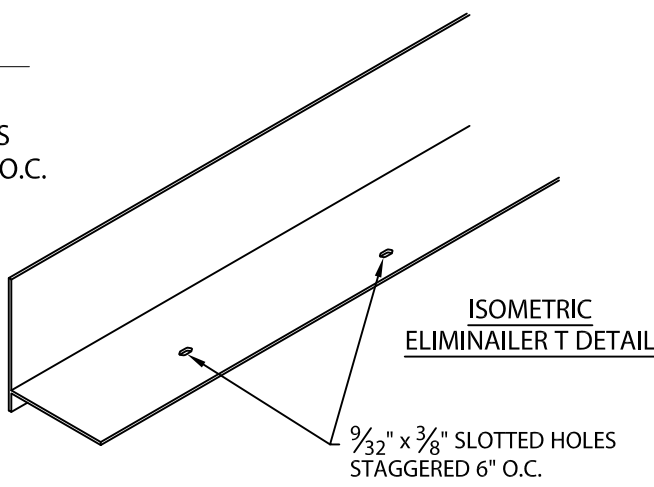
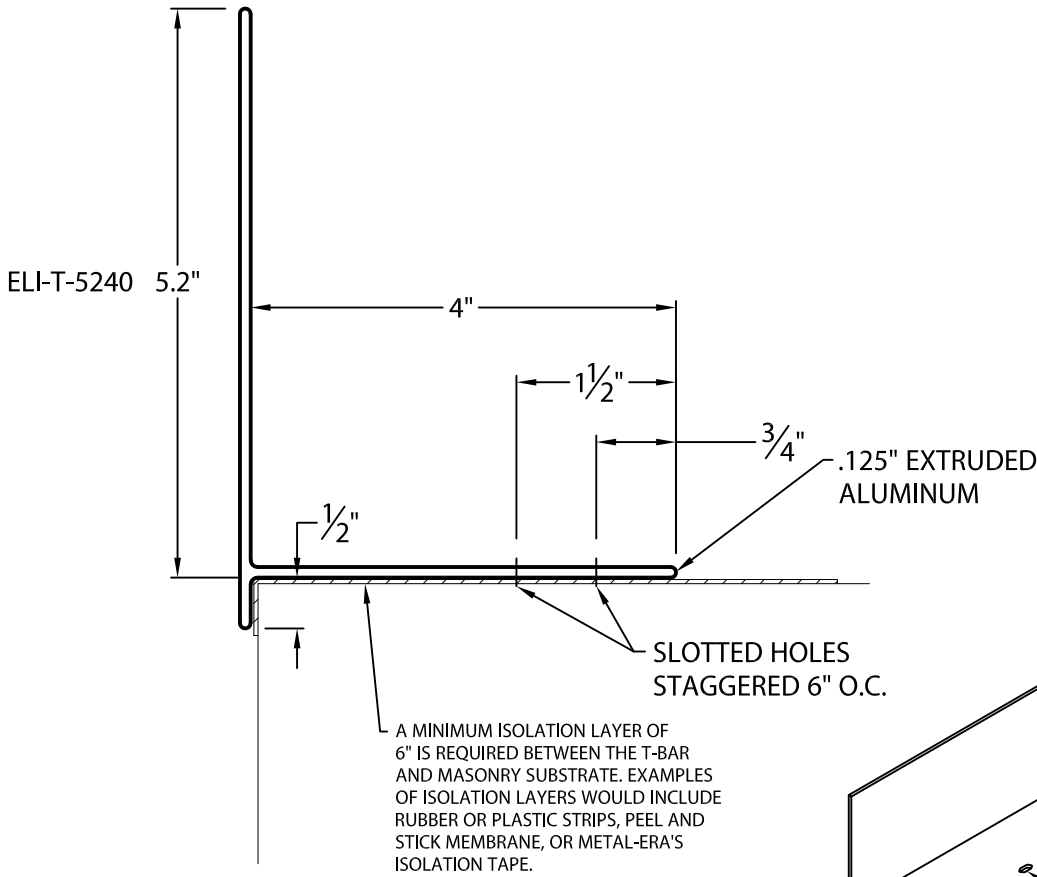


# ELIMINAILER®-T

FOR USE WITH MASONRY WALL, 5.2", 4" FLANGE VERSION

U.S. PATENT # 9,878,023 B1



Fabrication will proceed only after receipt of signed print approval.

## Print Approval:

Architect and/or contractor shall verify all dimensions, sizes and quantities. All products to be installed in strict accordance with Metal-Era's printed instructions.

Approved by: \_\_\_\_\_  
Date: \_\_\_\_\_

PLEASE INDICATE SUBSTRATE (IF SUBSTRATE INFORMATION IS NOT GIVEN, CONCRETE WALL FASTENERS WILL BE PROVIDED)

- CONCRETE WALL (3000 PSI CONCRETE):  
#14 x 1 1/4" FASTENERS PROVIDED
- CMU WALL (1500 PSI):  
1/4" x 1 1/2" SPIKE FASTENERS PROVIDED

### QUANTITIES:

\_\_\_\_\_ LINEAL FEET 12'-0" LENGTHS  
\_\_\_\_\_ ROLLS ISOLATION TAPE 6" WIDE (180 FT PER ROLL)

PROJECT: \_\_\_\_\_  
ARCHITECT: \_\_\_\_\_  
ROOFING CONTRACTOR: \_\_\_\_\_  
REPRESENTATIVE/DISTRIBUTOR: \_\_\_\_\_

Corporate Offices, Manufacturing  
1600 Airport Road; Waukesha, WI 53188  
Phone: 800-558-2162  
Fax: 800-373-9156  
www.metalera.com



DATE: 07/30/18  
DRN BY: JJC  
CKD BY: SAK

SHT.# \_\_\_\_ OF \_\_\_\_  
DWG# 11018-29392

A