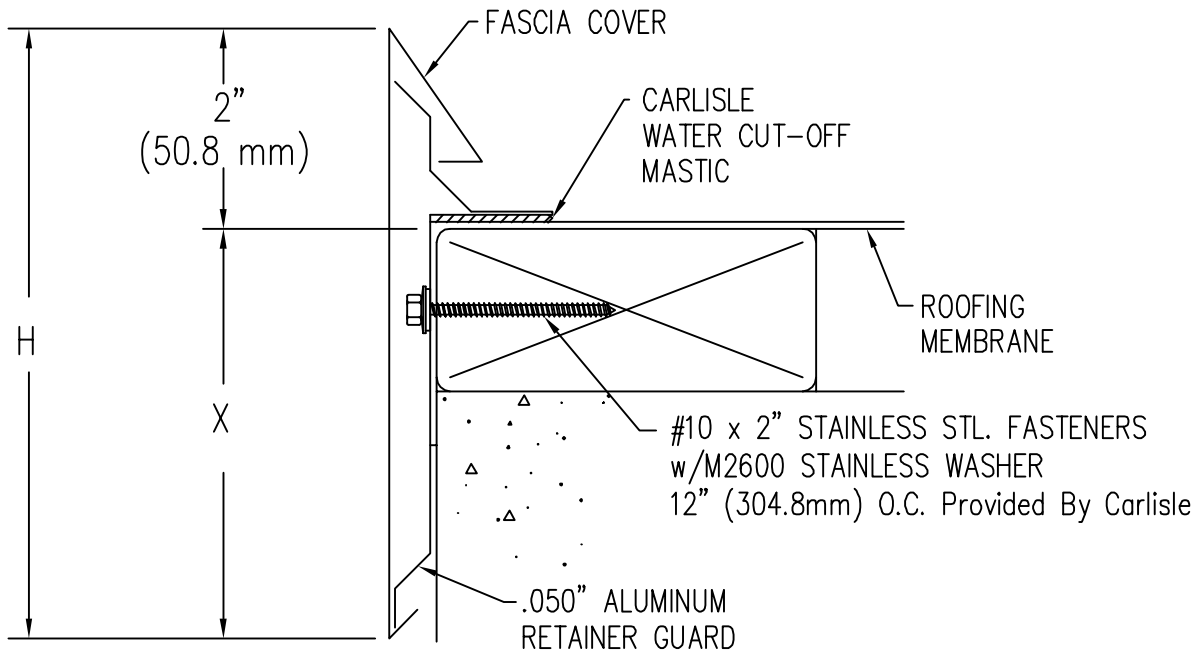




# SECUREDGE 1000 FASCIA

STONE BALLAST SINGLE-PLY VERSION



Fascia is to be installed per Specifications and Carlisle's Installation Instructions Dwg. # 15110-1650

### SecurEdge 1000 Fascia Dimensions

| PRODUCT ID. NO.                 | H DIM             | X DIM             | NAILER COVERAGE |
|---------------------------------|-------------------|-------------------|-----------------|
| <input type="checkbox"/> B*1045 | 4 1/2" (114.3 mm) | 2 1/2" (63.5 mm)  | 1 NAILER        |
| <input type="checkbox"/> B*1060 | 6" (152.4 mm)     | 4" (101.6 mm)     | 2 NAILERS       |
| <input type="checkbox"/> B*1075 | 7 1/2" (190.5 mm) | 5 1/2" (139.7 mm) | 3 NAILERS       |

Fabrication will proceed only after receipt of signed print approval.

## Print Approval:

Architect and/or contractor shall verify all dimensions, sizes and quantities. All products to be installed in strict accordance with Carlisle SynTec, Inc.'s printed instructions.

Approved by: \_\_\_\_\_

Date: \_\_\_\_\_

### MATERIAL:

- \_\_\_ 24 Ga. (.65 mm) Galv. Steel
- \_\_\_ .040" (1.01 mm) Aluminum
- \_\_\_ OTHER \_\_\_\_\_

Color: \_\_\_\_\_

Finish: \_\_\_\_\_

### QUANTITIES:

\_\_\_\_\_ Lineal Feet 12'-0"  
(3.65m) Lengths

\_\_\_ Outside Miters @ (\_\_\_\_\_)°

\_\_\_ Inside Miters @ (\_\_\_\_\_)°

\_\_\_ Overflow Scupper Style \_\_\_A\_\_\_B

\_\_\_ Spillout Scupper Style \_\_\_A\_\_\_B

\_\_\_ Downspout Scupper Style \_\_\_A\_\_\_B

(\_\_\_\_X\_\_\_\_) Size

A: Tapered 1 1/2" Drop  
B: Flat

PROJECT:

ARCHITECT:

ROOFING CONTRACTOR:

REPRESENTATIVE/DISTRIBUTOR:

**Customer Service**  
**866-458-3537**  
**(Metal-Era)**



DATE: 03/05/15

DRN BY: JJC

CKD BY: SAK

SHT.# \_\_\_ OF \_\_\_

DWG# 15010-1652

B