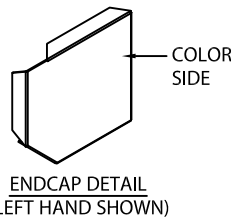
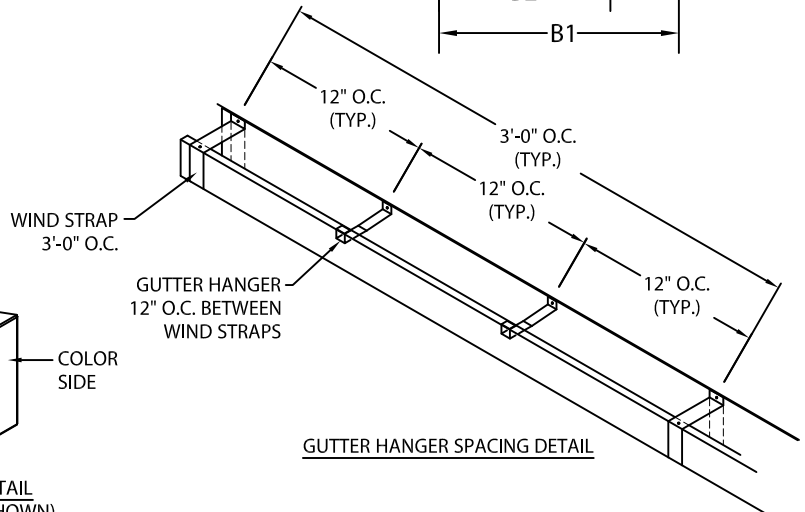
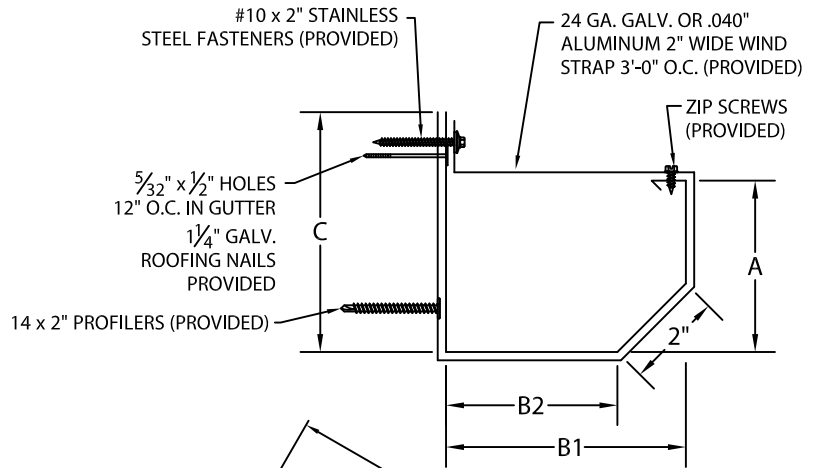
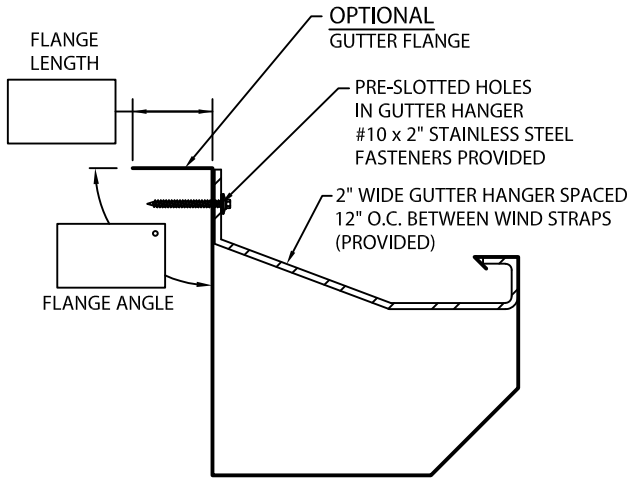


LG GUTTER

IGG-2 VERSION

WITH WIND STRAPS



PRODUCT ID #	C	B1	B2	A
<input type="checkbox"/> IGG2-C10	10"	9"	7 9/16"	9"
<input type="checkbox"/> IGG2-C11	11"	10"	8 9/16"	10"
<input type="checkbox"/> IGG2-C12	12"	11"	9 9/16"	11"
<input type="checkbox"/> IGG2-C13	13"	12"	10 9/16"	12"

NOTES:

- MAXIMUM DOWNSPOUT DIMENSION NOT TO EXCEED "B2" MINUS 9/16".
- 6" WIDE SPLICE PLATES PROVIDED.
- 1/8" STAINLESS STEEL POP RIVETS PROVIDED.
- UNLESS OTHERWISE NOTED, FABRICATION OF MITERS ARE FURNISHED STANDARD UTILIZING A NON-PENETRATING QUICKLOCK JOINT, THEN FACTORY SEALED WATERTIGHT.
- WELDED ACCESSORIES REQUIRE A MINIMUM MATERIAL THICKNESS OF .050".

Fabrication will proceed only after receipt of signed print approval.

Print Approval:

Architect and/or contractor shall verify all dimensions, sizes and quantities. All products to be installed in strict accordance with Metal-Era's printed instructions.

Approved by: _____

Date: _____

MATERIAL:

- 22 GA. GALV. STEEL .063" ALUMINUM
 .050" ALUMINUM OTHER _____

(NOT AVAILABLE IN 24 GA. GALV. STEEL OR .040" ALUMINUM)

COLOR: _____ FINISH: _____

QUANTITIES:

- _____ LINEAL FEET 12'-0" LENGTHS SPECIFY MITER TYPE:
 _____ OUTSIDE MITERS @ 90° WELDED
 _____ INSIDE MITERS @ 90° QUICKLOCK
 _____ RIGHT ENDCAPS
 _____ LEFT ENDCAPS
 _____ EXPANSION JOINTS STYLE "1"
 _____ EXPANSION JOINTS STYLE "2"

FOR NON-90 MITERS SEE PRINT APPROVAL #11012-10010

PROJECT: _____

ARCHITECT: _____

ROOFING CONTRACTOR: _____

REPRESENTATIVE/DISTRIBUTOR: _____

Corporate Offices, Manufacturing
 1600 Airport Road; Waukesha, WI 53188
 Phone: 800-558-2162
 Fax: 800-373-9156
 www.metalera.com



DATE: 10/04/21 SHT.# ____ OF ____

DRN BY: JJC

CKD BY: MM DWG# 11012-37209 A