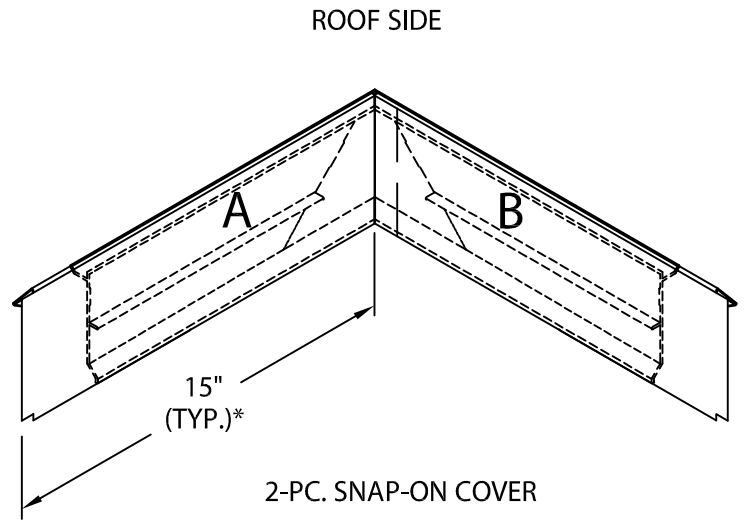
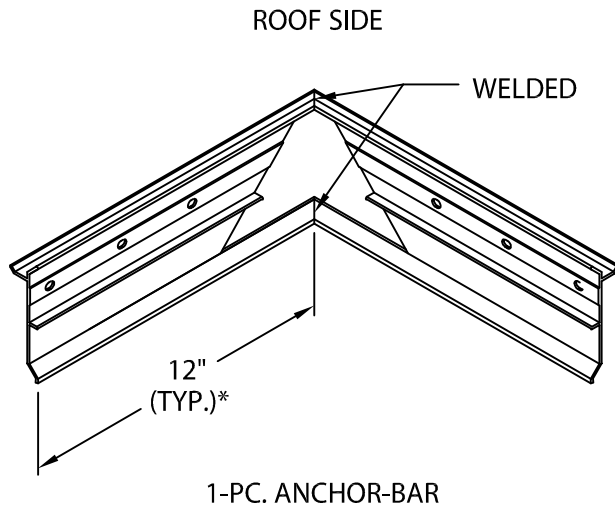


PRESTO-TITE FASCIA MITERS

FULLY ADHERED OR MECHANICALLY ATTACHED SINGLE-PLY VERSION

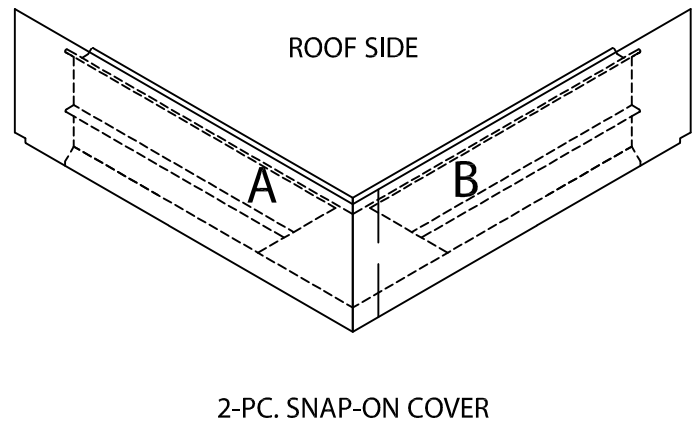
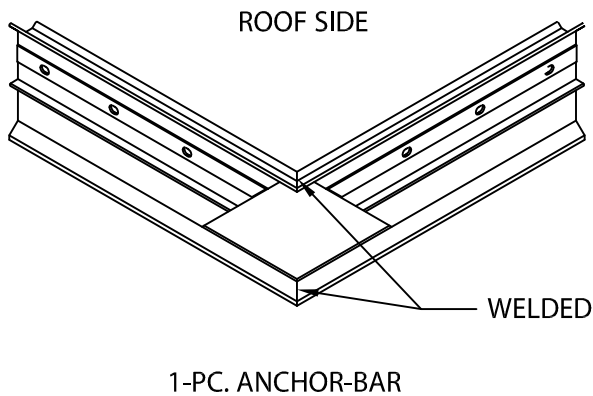
MITERS - FACTORY WELDED CONSTRUCTION

INSIDE MITER



FASTENERS INCLUDED

OUTSIDE MITER



NOTE: TREATED WOOD NAILERS REQUIRED.

* CUSTOM LENGTHS (LONGER) HAVE A SURCHARGE

PROJECT:

ARCHITECT:

ROOFING CONTRACTOR:

REPRESENTATIVE/DISTRIBUTOR:

51 Lexington Street; Lewiston, ME 04240
 CUSTOMER SERVICE: 800-223-8317 USA
 800-445-1500 Canada
 TECHNICAL SERVICE: 800-445-1500 USA & Canada
 FAX: 207-784-0125
 OTHER AREAS CALL: 207-784-0123

JM Johns Manville

DATE: 06/01/02

DRN BY: COB

CKD BY: SAK

SHT.# ___ OF ___

DWG# 16510-2318

A