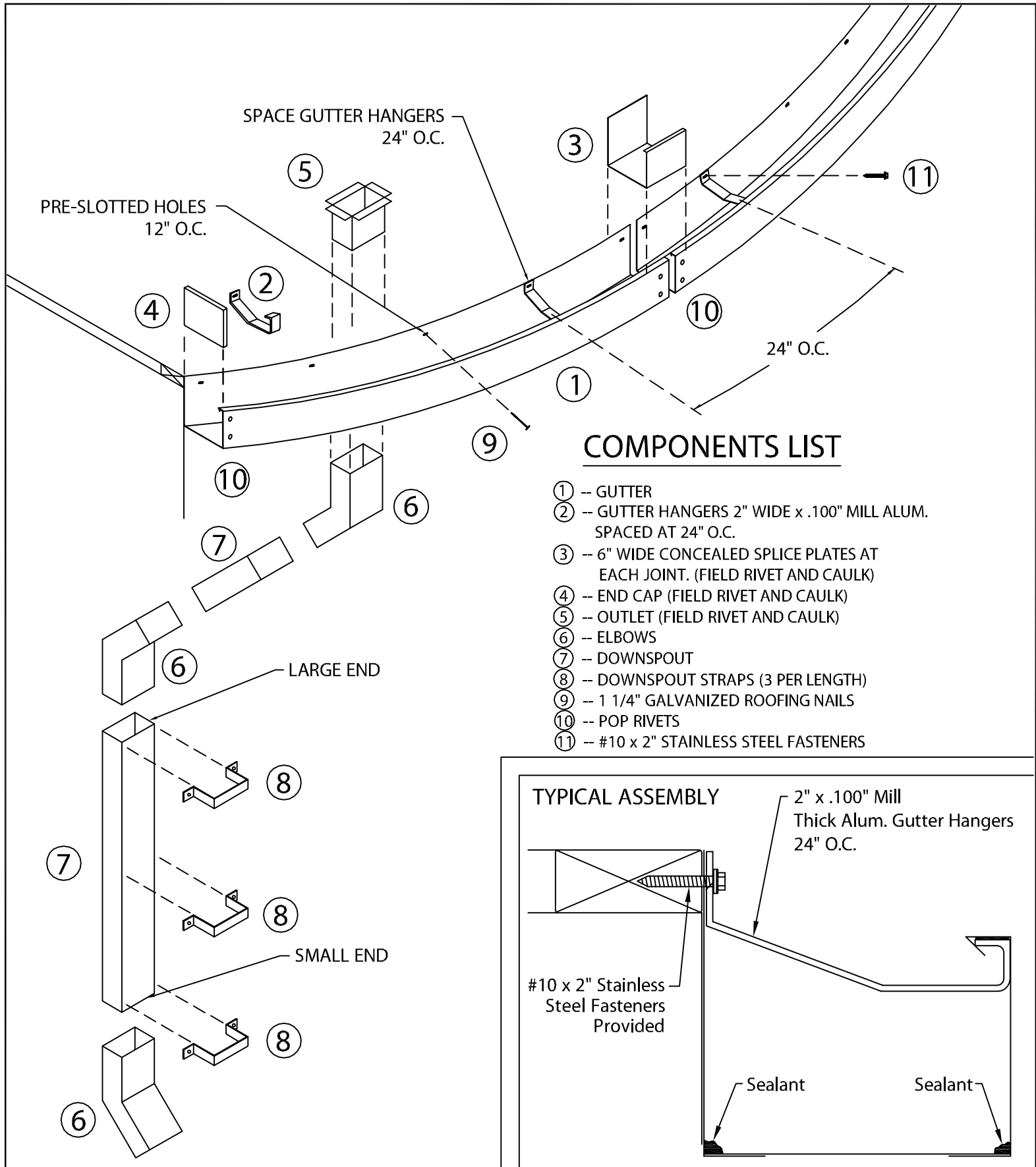


QUICKLOCK RADIUS INDUSTRIAL GUTTER

IG-B SPLICE PLATE VERSION - 2'-0" O.C.

INSTALLATION INSTRUCTIONS



COMPONENTS LIST

- ① -- GUTTER
- ② -- GUTTER HANGERS 2" WIDE x .100" MILL ALUM. SPACED AT 24" O.C.
- ③ -- 6" WIDE CONCEALED SPLICE PLATES AT EACH JOINT. (FIELD RIVET AND CAULK)
- ④ -- END CAP (FIELD RIVET AND CAULK)
- ⑤ -- OUTLET (FIELD RIVET AND CAULK)
- ⑥ -- ELBOWS
- ⑦ -- DOWNSPOUT
- ⑧ -- DOWNSPOUT STRAPS (3 PER LENGTH)
- ⑨ -- 1 1/4" GALVANIZED ROOFING NAILS
- ⑩ -- POP RIVETS
- ⑪ -- #10 x 2" STAINLESS STEEL FASTENERS

TYPICAL ASSEMBLY

