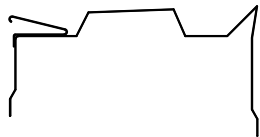


### NOTES:

- ① ANCHOR CLIP PROFILE ON WALLS 14" AND GREATER.
- ② IF WALL SIZE IS OVER 16", THE RISE IS 5/8".
- ③ FACE = COVERAGE (SHOULD EXTEND A MIN. OF 1" BELOW WATERPROOFING MEMBRANE) + 2 1/4".
- ④ 24 GA. GALV. AND .040" ALUM. COPING COVERS AVAILABLE FOR WALL SIZES 3 1/2" TO 24" ONLY.
- ⑤ WELDED ACCESSORIES REQUIRE A MINIMUM MATERIAL THICKNESS OF .050".
- ⑥ FOR NON 90° MITERS PLEASE USE PRINT APPROVAL #11011-1487.



### MATERIAL:

\_\_\_ 24 GA. GALVANIZED STEEL ④ \_\_\_ .040" ALUMINUM ④

\_\_\_ 22 GA. GALVANIZED STEEL \_\_\_ .050" ALUMINUM

\_\_\_ OTHER \_\_\_\_\_ \_\_\_ .063" ALUMINUM

COLOR: \_\_\_\_\_ FINISH: \_\_\_\_\_

### QUANTITIES:

\_\_\_\_\_ LINEAL FEET 12'-0" LENGTHS

### ACCESSORIES:

\_\_\_ OUTSIDE MITERS @ 90° ⑥

\_\_\_ INSIDE MITERS @ 90° ⑥

\_\_\_ RIGHT ENDCAPS

\_\_\_ LEFT ENDCAPS

\_\_\_ RIGHT ENDWALL (COPING VERSION)

\_\_\_ LEFT ENDWALL (COPING VERSION)

\_\_\_ RIGHT ENDWALL (SPLICE PLATE VERSION)

\_\_\_ LEFT ENDWALL (SPLICE PLATE VERSION)

SPECIFY ACCESSORY TYPE:

WELDED ⑤

QUICKLOCK

### AUTHORIZED SIGNATURE:

APPROVED BY: \_\_\_\_\_

DATE: \_\_\_\_\_



ANSI/SPRI ES-1 TESTED

PROJECT:

ARCHITECT:

ROOFING CONTRACTOR:

REPRESENTATIVE/DISTRIBUTOR:

CORPORATE OFFICES, MANUFACTURING  
1600 AIRPORT ROAD; WAUKESHA, WI 53188

PHONE: 800-558-2162  
FAX: 800-373-9156

WEBSITE: WWW.METALERA.COM  
EMAIL: QUOTE@METALERA.COM

DATE: 12/20/19

DRN BY: JJC

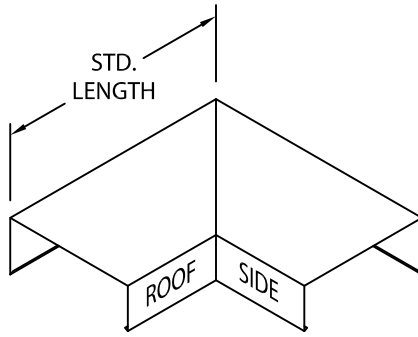
CKD BY: JAI

SHT.# \_\_\_ OF \_\_\_

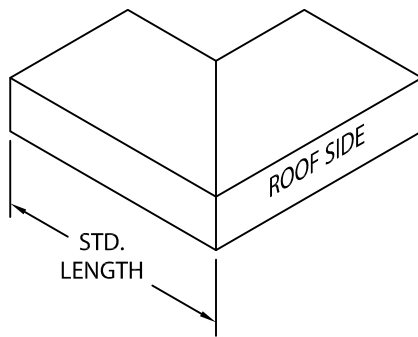
DWG# 11011-33096

A

# PERMA-TITE GOLD COPING



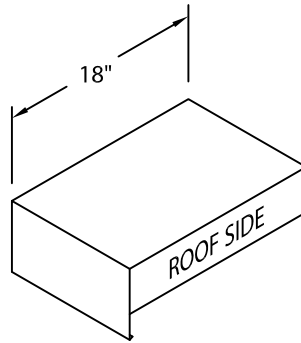
OUTSIDE MITER



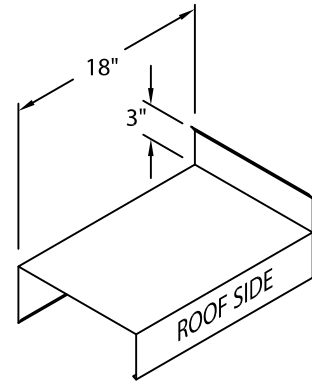
INSIDE MITER

MITER STANDARD LEG LENGTH:  
WALL SIZE +  $9\frac{5}{8}$ " = LENGTH

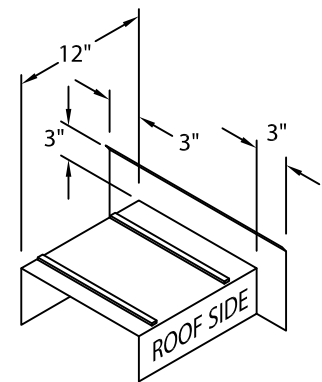
## PERMA-TITE GOLD COPING STANDARD ACCESSORIES



ENDCAP  
(LEFT HAND SHOWN)



ENDWALL FLASHING  
COPING VERSION  
(RIGHT HAND SHOWN)



ENDWALL FLASHING  
SPLICE PLATE VERSION  
(RIGHT HAND SHOWN)  
(AVAILABLE ONLY IN  
.040" WELDED, PAINTED  
TO MATCH COPING)

### ADDITIONAL ACCESSORIES ARE AVAILABLE ON WEBSITE:

- TRANSITION MITERS
- STRAIGHT TRANSITION MITERS
- "T" MITERS
- "Z" MITERS
- STEP-UP MITERS
- PEAK / VALLEY MITERS
- PILASTER CAPS
- RADIUS COPING
- ARCHED COPING

(FOR ADDITIONAL ACCESSORY REQUIREMENTS, ATTACH SKETCHES OR CALL MANUFACTURER FOR ASSISTANCE).