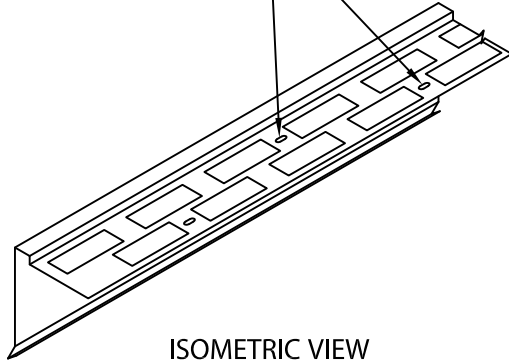


DERBIGUM FLASH-THRU DRIP EDGE

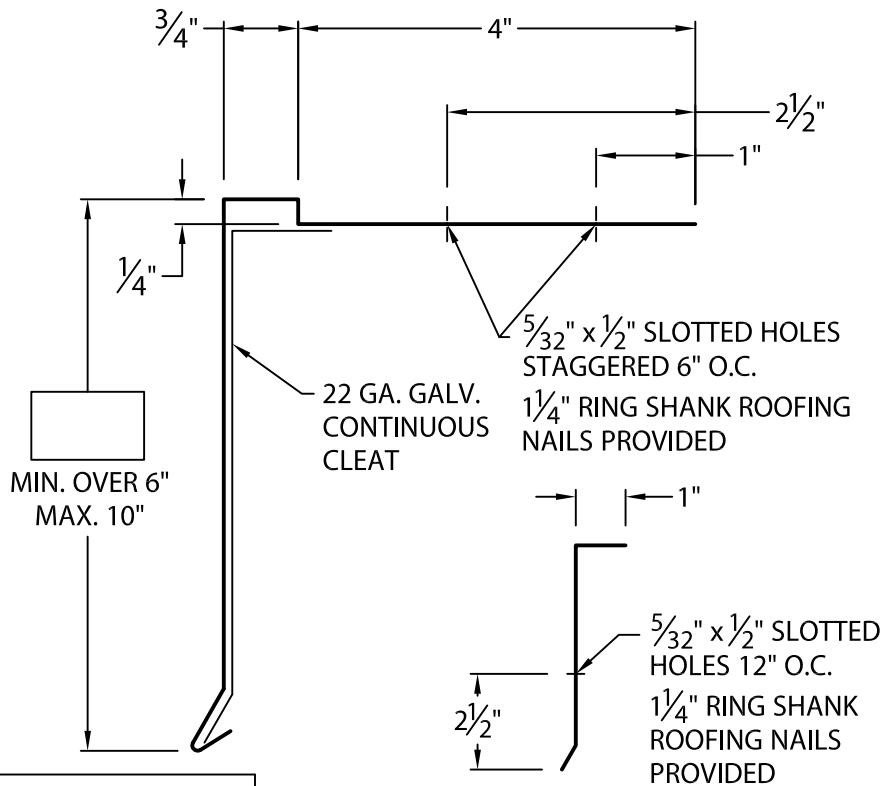
OVER 6" TO 10" FACE HEIGHT VERSION

WITH CONTINUOUS CLEAT

5/32" x 1/2" SLOTTED HOLES STAGGERED 6" O.C.



ISOMETRIC VIEW



CLEAT DETAIL

NOTES:

- INCLUDES 6" WIDE CONCEALED SPLICE PLATES.
- CONCEALED SPLICE PLATE MUST BE FIELD CAULKED TO PREVENT WATER ENTRY.
- UNLESS OTHERWISE NOTED, FABRICATION OF MITERS AND ACCESSORIES ARE FURNISHED STANDARD UTILIZING A NON-PENETRATING QUICKLOCK JOINT, THEN FACTORY SEALED WATERTIGHT.

Fabrication will proceed only after receipt of signed print approval.

Print Approval:

Architect and/or contractor shall verify all dimensions, sizes and quantities. All products to be installed in strict accordance with Derbigum's printed instructions.

Approved by: _____

Date: _____

WELDED MITERS AND ACCESSORIES

CHECK ONE REQUIRED (SURCHARGE) NOT APPLICABLE

MATERIAL:

___ 24 GA. GALVANIZED STEEL
 ___ .040" ALUMINUM COLOR: _____
 ___ .050" ALUMINUM
 ___ .063" ALUMINUM FINISH: _____
 ___ OTHER _____

QUANTITIES:

_____ LINEAL FEET (12'-0" LENGTHS)
 _____ OUTSIDE MITERS @ 90°
 _____ INSIDE MITERS @ 90°

FOR NON-90 MITERS SEE PRINT APPROVAL #20010-25624

PROJECT:

ARCHITECT:

ROOFING CONTRACTOR:

REPRESENTATIVE/DISTRIBUTOR:

Customer Service
1-800-727-9872



DATE: 02/25/19

DRN BY: JJC

CKD BY: SAK

SHT.# ___ OF ___

DWG# 20010-25697

D