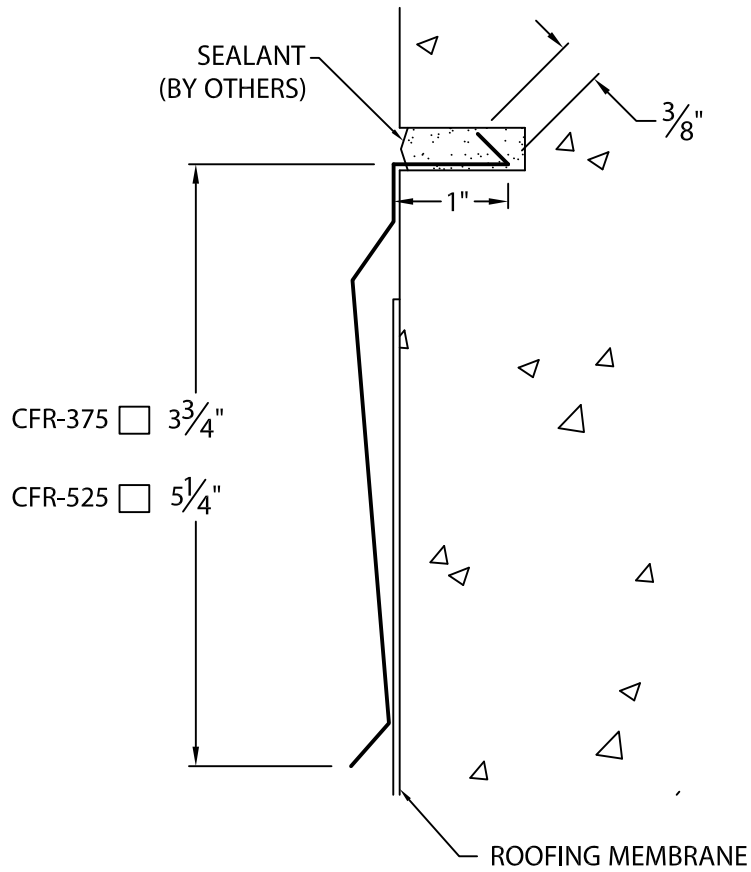


1 PC COUNTERFLASHING

REGLET VERSION



NOTE: PRE-NOTCHED LAP JOINTS 3"

Fabrication will proceed only after receipt of signed print approval.

Print Approval:

Architect and/or contractor shall verify all dimensions, sizes and quantities. All products to be installed in strict accordance with Carlisle SynTec, Inc.'s printed instructions.

Approved by: _____

Date: _____

MATERIAL:

24 Ga. Galv.
 .040" Alum. Color: _____
 .050" Alum.
 .063" Alum. Finish: _____
 OTHER _____

QUANTITIES:

_____ Lineal Feet 12'-0" Lengths

PROJECT:

ARCHITECT:

ROOFING CONTRACTOR:

REPRESENTATIVE/DISTRIBUTOR:

Customer Service
866-458-3537
(Metal-Era)



DATE: 01/31/17

DRN BY: JAB

CKD BY: SAK

SHT.# ____ OF ____

DWG# 15015-14851

B