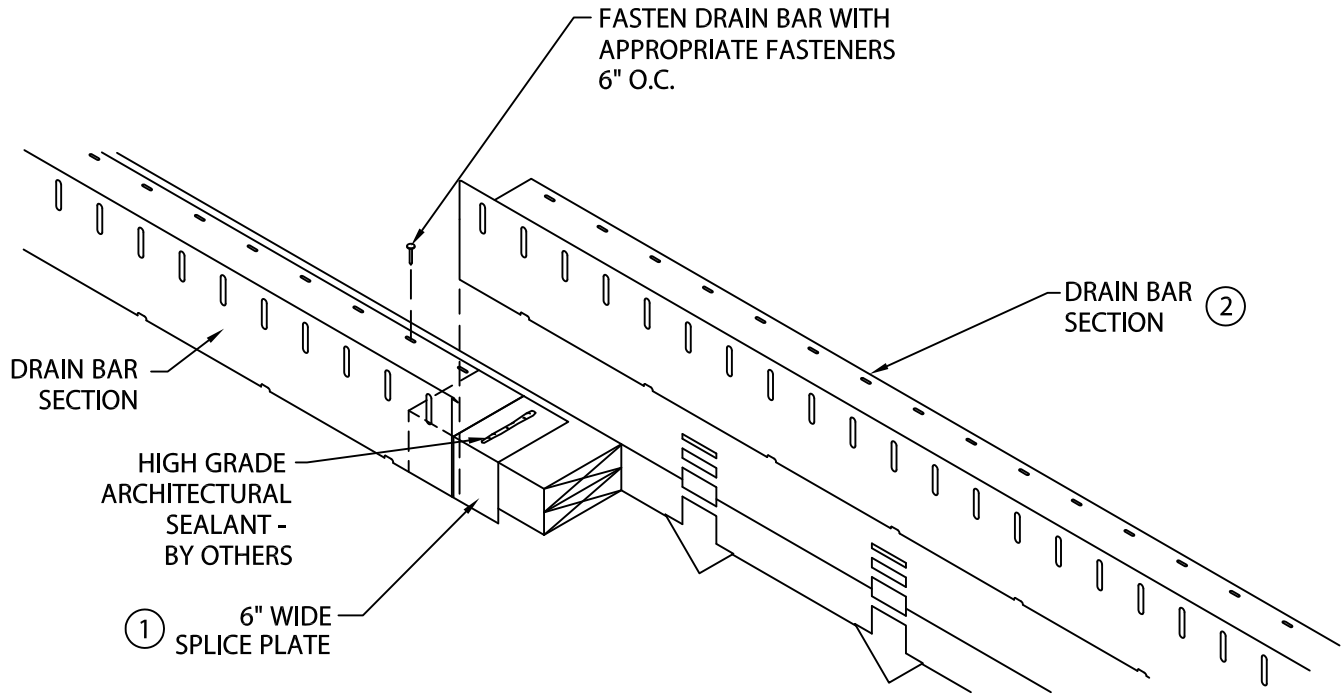
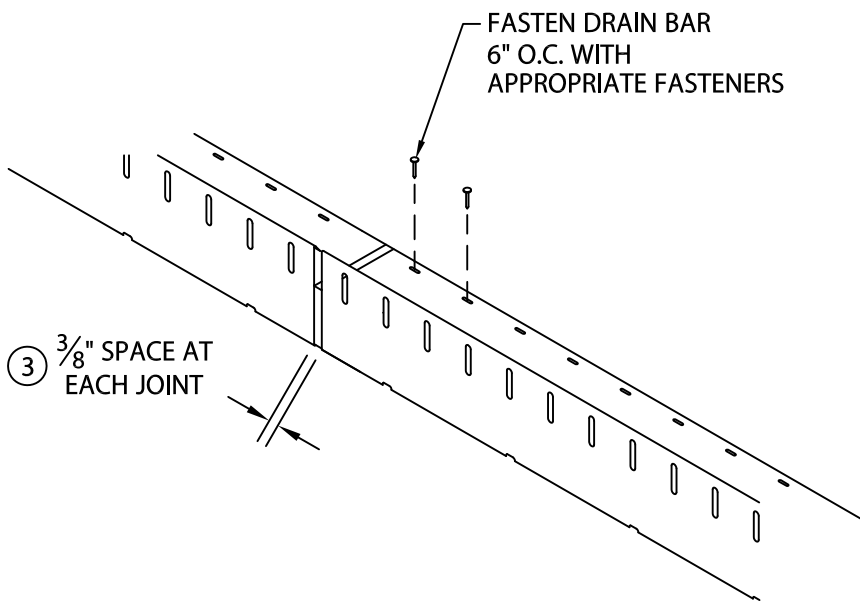


FLOW-THRU DRAIN BAR

INSTALLATION INSTRUCTIONS

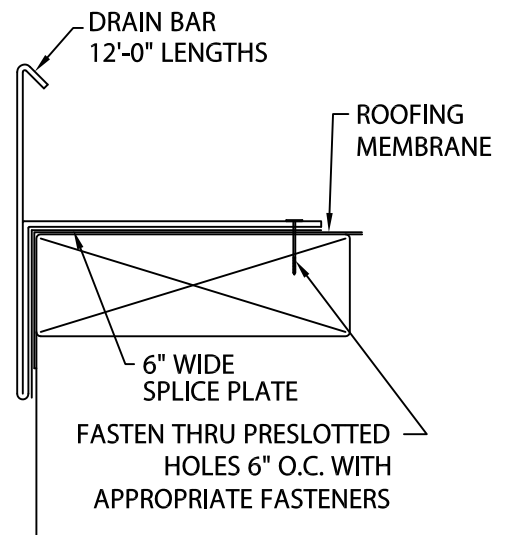


- STEP 1 - LOCATE 6" WIDE SPLICE PLATES AT EACH JOINT. SEALANT (BY OTHERS) TO BE FIELD APPLIED TO TOP OF EACH SPLICE PLATE AS SHOWN.
- STEP 2 - POSITION AND FASTEN DRAIN BAR AS SHOWN WITH APPROPRIATE FASTENERS.



- STEP 3 - CONTINUE BY INSTALLING DRAIN BAR SECTIONS ALLOWING A 3/8" SPACE BETWEEN SECTIONS AS SHOWN. FIELD CUT AS NECESSARY.

TYPICAL INSTALLATION



ELEVATE
26 CENTURY BLVD.
SUITE 205
NASHVILLE, TN 37214
CONTACT YOUR LOCAL ELEVATE REPRESENTATIVE

DATE: 04/20/23

DRN BY: MLM

CKD BY: MM

SHT.# ___ OF ___

DWG# 13116-25663

C