



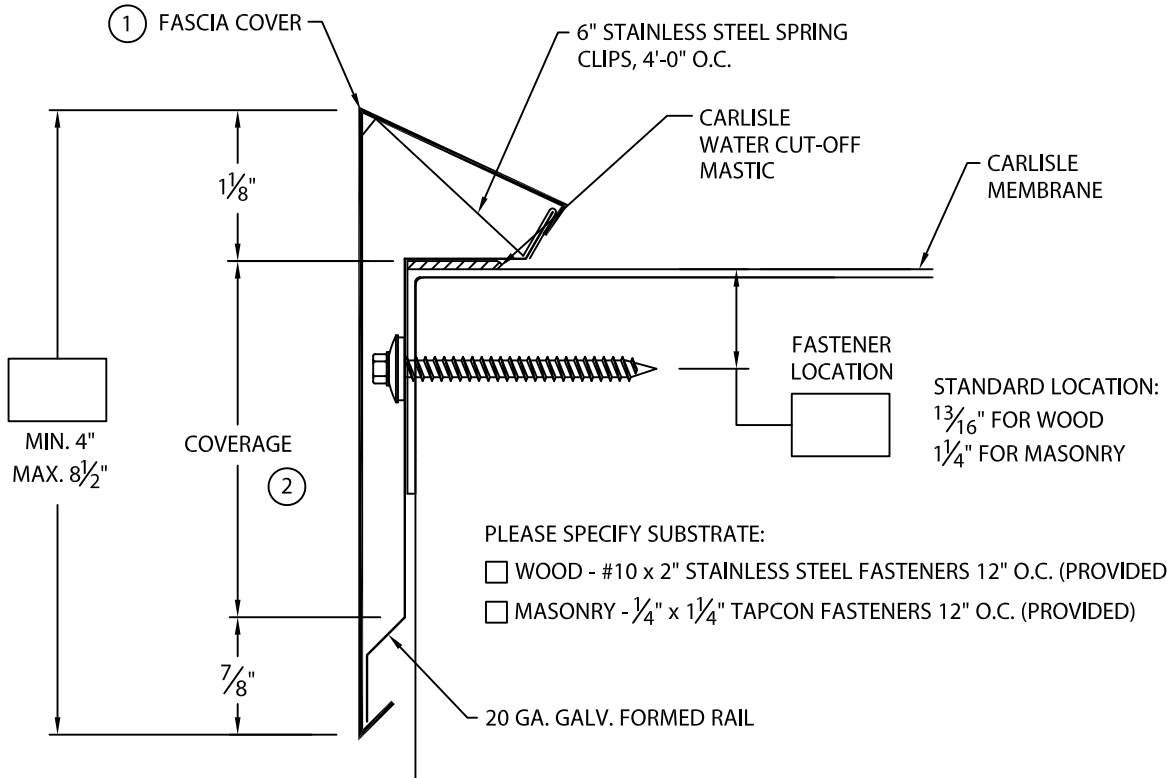
CUSTOM SECUREDGE ONE

FULLY ADHERED OR MECHANICALLY ATTACHED SINGLE-PLY VERSION

CUSTOM FACE SIZE, FASTENER LOCATION AND COVER LENGTHS - .050" AND .063" COVER MATERIAL

ANSI/SPRI ES-1 DESIGN PRESSURE OF 155 psf

U.S. Patent # 5,927,023



NOTES:

- ① FASCIA COVER PROVIDED WITH 3 $\frac{1}{2}$ " SPLICE PLATES.
- ② TYPICALLY COVERAGE SHOULD EXTEND A MIN. OF 1" BELOW WOOD BLOCKING IF APPLICABLE.

MATERIAL:

___ .050" Aluminum
 ___ .063" Aluminum
 ___ Other _____

Color: _____

Finish: _____

QUANTITIES:

___ Lineal Feet @ _____ Lengths

OR

___ Pcs. @ _____ Lengths

___ Outside Miter(s) (Cover Only) @ 90°

___ Inside Miter(s) (Cover Only) @ 90°

For Non-90° Miters, See Print Approval #15010-1625

Fabrication will proceed only after receipt of signed print approval.

Print Approval:

Architect and/or contractor shall verify all dimensions, sizes and quantities. All products to be installed in strict accordance with Carlisle's printed instructions.

Approved by: _____

Date: _____

PROJECT:

ARCHITECT:

ROOFING CONTRACTOR:

REPRESENTATIVE/DISTRIBUTOR:

Customer Service
 866-458-3537
 (Metal-Era)



DATE: 02/02/18

DRN BY: JJC

CKD BY: SAK

SHT.# ___ OF ___

DWG# 15310-19945

F