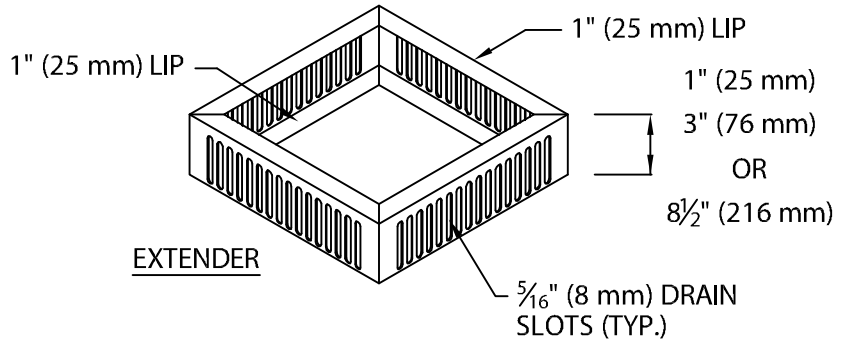
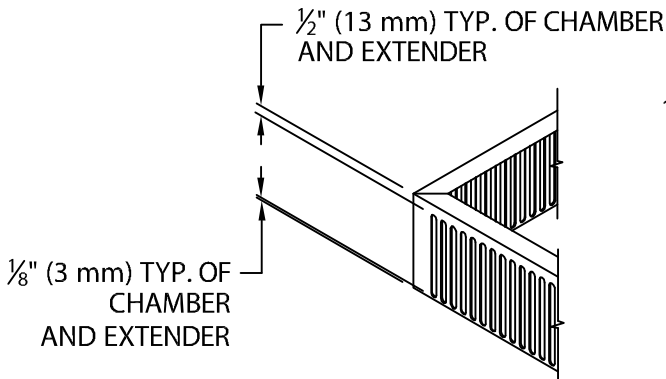
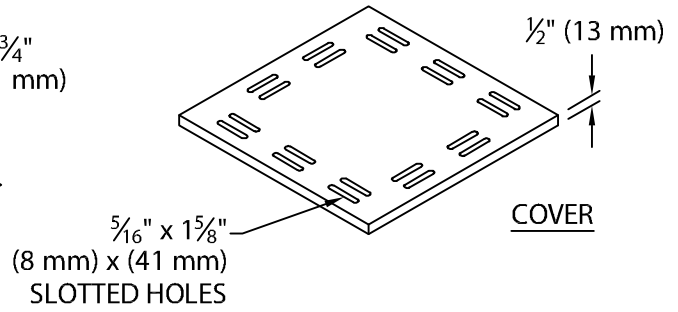
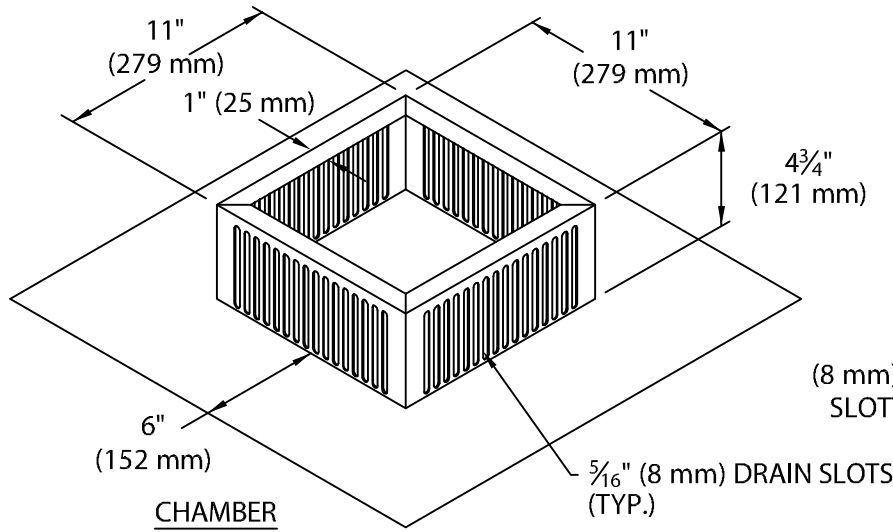


# CARLISLE INSPECTION CHAMBER



Fabrication will proceed only after receipt of signed print approval.

## Print Approval:

Architect and/or contractor shall verify all dimensions, sizes and quantities. All products to be installed in strict accordance with Carlisle SynTec, Inc.'s printed instructions.

Approved by: \_\_\_\_\_

Date: \_\_\_\_\_

## MATERIAL:

.063" (1.60 mm) Mill Finish Alum.

## QUANTITIES:

- \_\_\_\_\_ Amount Required
- \_\_\_\_\_ 1" (25 mm) Extension
- \_\_\_\_\_ 3" (76 mm) Extension
- \_\_\_\_\_ 8 1/2" (216 mm) Extension

PROJECT:

ARCHITECT:

ROOFING CONTRACTOR:

REPRESENTATIVE/DISTRIBUTOR:

Customer Service  
866-458-3537  
(Metal-Era)



DATE: 01/12/12

DRN BY: JJC

CKD BY: SAK

SHT.# \_\_\_ OF \_\_\_

DWG# 15030-14831

A