

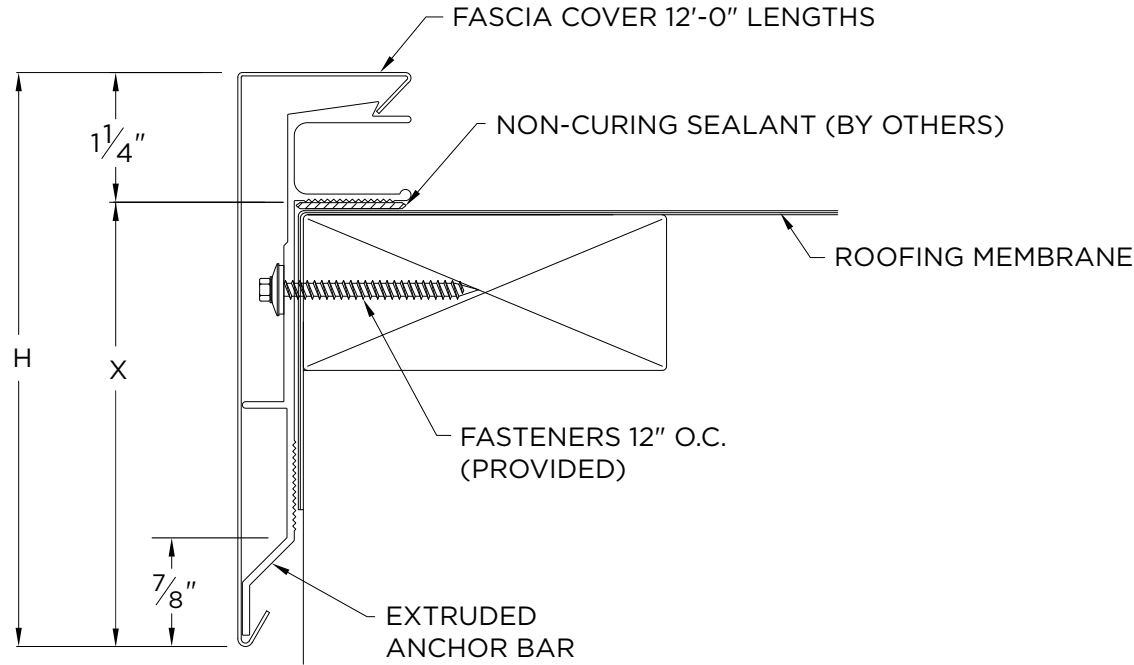


ELEVATE ANCHORGARD® SP HG FASCIA

FULLY ADHERED OR MECHANICALLY ATTACHED SINGLE-PLY VERSION

NOTES

- Fascia cover provided with splice plates
- 10" cover not available in 24 ga. galv. steel or .040" aluminum
- For non-90 miters, see separate print approval
- Product should be installed per provided installation instructions
- ANSI/SPRI/FM 4435/ES-1 Test Pressure up to 365 psf



APPROVALS



ANSI/SPRI/FM 4435/ES-1
Test Pressures listed in notes

PROJECT INFO

Project Name: _____

Architect: _____

Roofing Contractor: _____

Project Type: _____

By selecting this box you have verified and confirmed that dimensions, sizes, and quantities are correct. All products will be installed in strict accordance with printed instructions.

Date: _____

Elevate

26 Century Blvd.
Suite 205
Nashville, TN 37214
Contact your local
Elevate representative.

SHT# 1 of 1

DATE: 03/20/23

DRN BY: JJC

CKD BY: MM

DWG #: 13010-5638

REV: L

DIMENSIONS

PRODUCT ID. NO.	H DIM	X DIM	NAILER COVERAGE
<input type="checkbox"/> HG-AF-40	4"	1 7/8"	1 NAILER
<input type="checkbox"/> HG-AF-55	5 1/2"	3 3/8"	2 NAILERS
<input type="checkbox"/> HG-AF-70	7"	4 7/8"	3 NAILERS
<input type="checkbox"/> HG-AF-85	8 1/2"	6 3/8"	4 NAILERS
<input type="checkbox"/> HG-AF-100	10"	7 7/8"	5 NAILERS

MATERIAL

24 Ga. Galv. Steel

Color: _____

22 Ga. Galv. Steel

Finish: _____

.040" Aluminum

Substrate: Wood

.050" Aluminum

If substrate is not given, wood fasteners will be provided. Masonry

.063" Aluminum

Metal

OTHER: _____

QUANTITIES

_____ Lineal Feet (12'-0" Lengths)

_____ Outside Miter (90°)

_____ Inside Miter (90°)

_____ Right Endcaps

_____ Left Endcaps

_____ Right Endwall Flashing

_____ Left Endwall Flashing

_____ Overflow Scupper
Style A Style B

_____ Spillout Scupper
Style A Style B

_____ Downspout Scupper
Style A Style B

Downspout Size _____x_____

Max. Downspout Size is 5" x 6"

Custom print needed for larger sizes.

Style A=Tapered 1.5" Drop | Style B=Flat