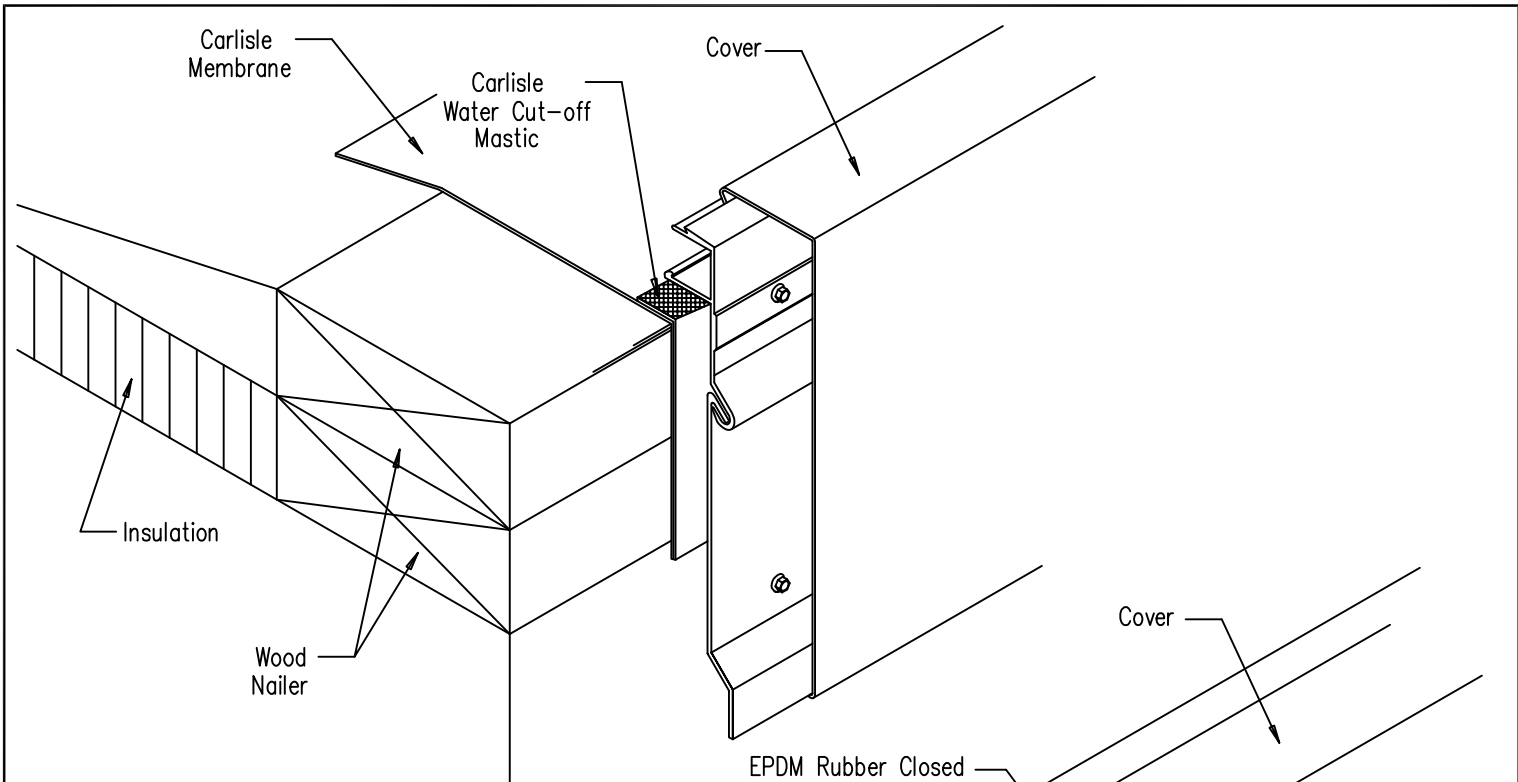




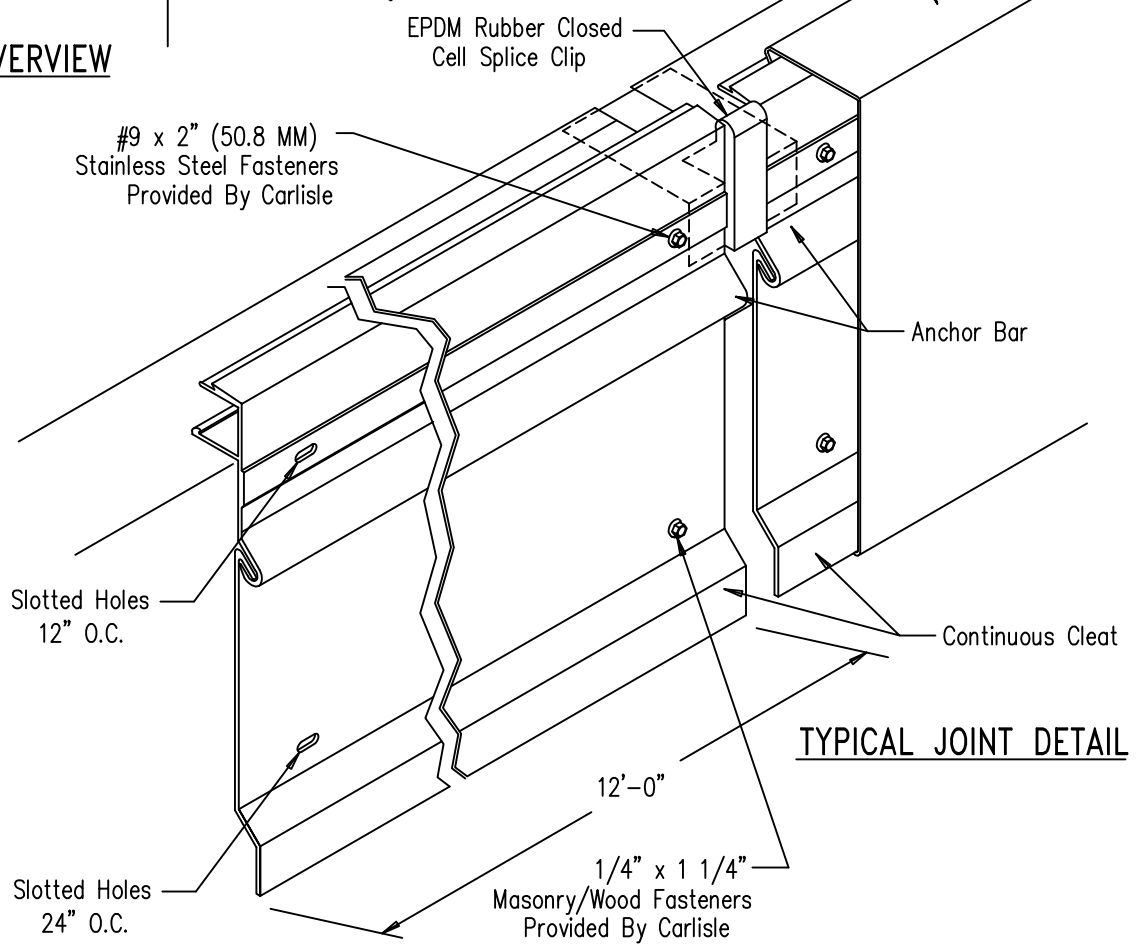
APPROVED
1-270

SECUREDGE 2000 FASCIA

FOR LARGER FACE HEIGHTS IN .050" & .063" ALUMINUM



TYPICAL OVERVIEW



TYPICAL JOINT DETAIL



Customer Service
888-666-4369

DATE: 09/29/05
DRN BY: JJC
CKD BY: SAK

SHT.# ___ OF ___
DWG# 15510-1634

B