

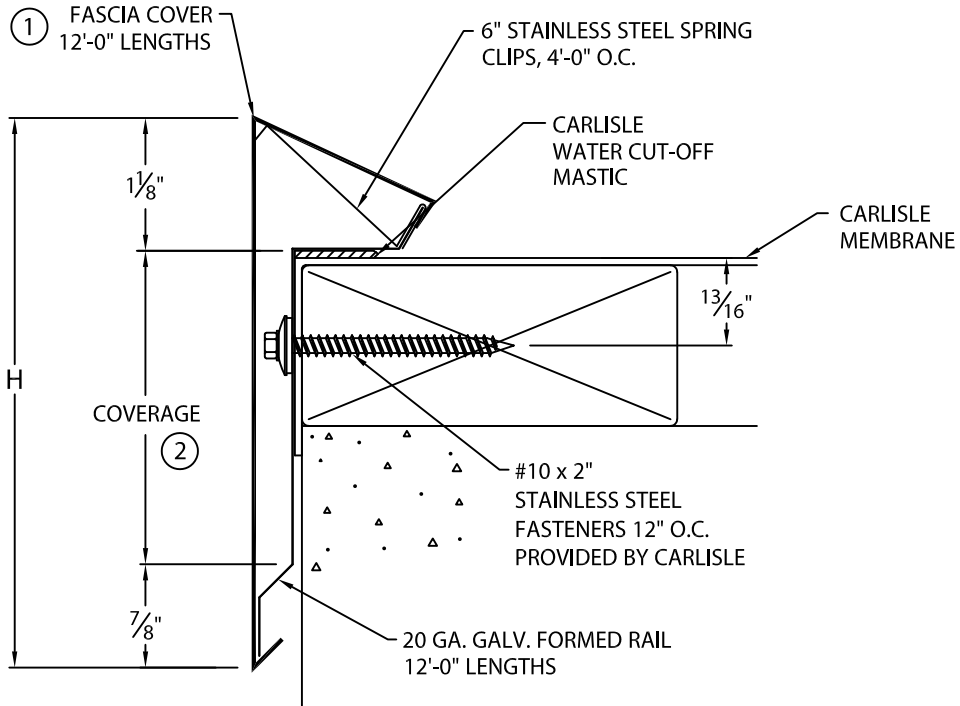


# SECUREDGE ONE

FULLY ADHERED OR MECHANICALLY ATTACHED SINGLE-PLY VERSION

ANSI/SPRI ES-1 DESIGN PRESSURE OF 155 psf 24 GA., 22 GA. AND .040" COVER MATERIAL

U.S. Patent # 5,927,023



- EXPRESS 1 DAY LEAD TIME AVAILABLE FOR 24 GAUGE STEEL AND 0.040 ALUMINUM IN THE FOLLOWING COLORS: (WHEN MITERS NOT ORDERED)
- ALMOND
  - BONE WHITE
  - CITYSCAPE
  - CLEAR ANODIZED
  - DARK BRONZE
  - MILL FINISH
  - ROMAN BRONZE
  - SANDSTONE
  - SIERRA TAN
  - SLATE GRAY
  - STONE WHITE

### NOTES:

- ① FASCIA COVER PROVIDED WITH 1" LAP JOINT
- ② TYPICALLY COVERAGE SHOULD EXTEND A MIN. OF 1" BELOW WOOD BLOCKING IF APPLICABLE.

### MATERIAL:

- \_\_\_ 24 Ga. Galvanized Steel
- \_\_\_ 22 Ga. Galvanized Steel
- \_\_\_ .040" Aluminum
- \_\_\_ Other \_\_\_\_\_

Color: \_\_\_\_\_

Finish: \_\_\_\_\_

### FASCIA DIMENSIONS

| PRODUCT ID. NO.                  | H DIM  | COVERAGE |
|----------------------------------|--------|----------|
| <input type="checkbox"/> ESE-S40 | 4"     | 2"       |
| <input type="checkbox"/> ESE-S50 | 5"     | 3"       |
| <input type="checkbox"/> ESE-S65 | 6 1/2" | 4 1/2"   |
| <input type="checkbox"/> ESE-S80 | 8"     | 6"       |

### QUANTITIES:

- \_\_\_\_\_ Lineal Feet 12'-0" Lengths
- \_\_\_\_\_ Outside Miter(s) (Cover Only) @ 90°
- \_\_\_\_\_ Inside Miter(s) (Cover Only) @ 90°

Fabrication will proceed only after receipt of signed print approval.

### Print Approval:

Architect and/or contractor shall verify all dimensions, sizes and quantities. All products to be installed in strict accordance with Carlisle's printed instructions.

Approved by: \_\_\_\_\_

Date: \_\_\_\_\_

For Non-90° Miters, See Print Approval #15010-1625

PROJECT:

ARCHITECT:

ROOFING CONTRACTOR:

REPRESENTATIVE/DISTRIBUTOR:

Customer Service  
866-458-3537  
(Metal-Era)



DATE: 11/06/18

DRN BY: JJC

CKD BY: SAK

SHT.# \_\_\_ OF \_\_\_

DWG# 15010-10768 |