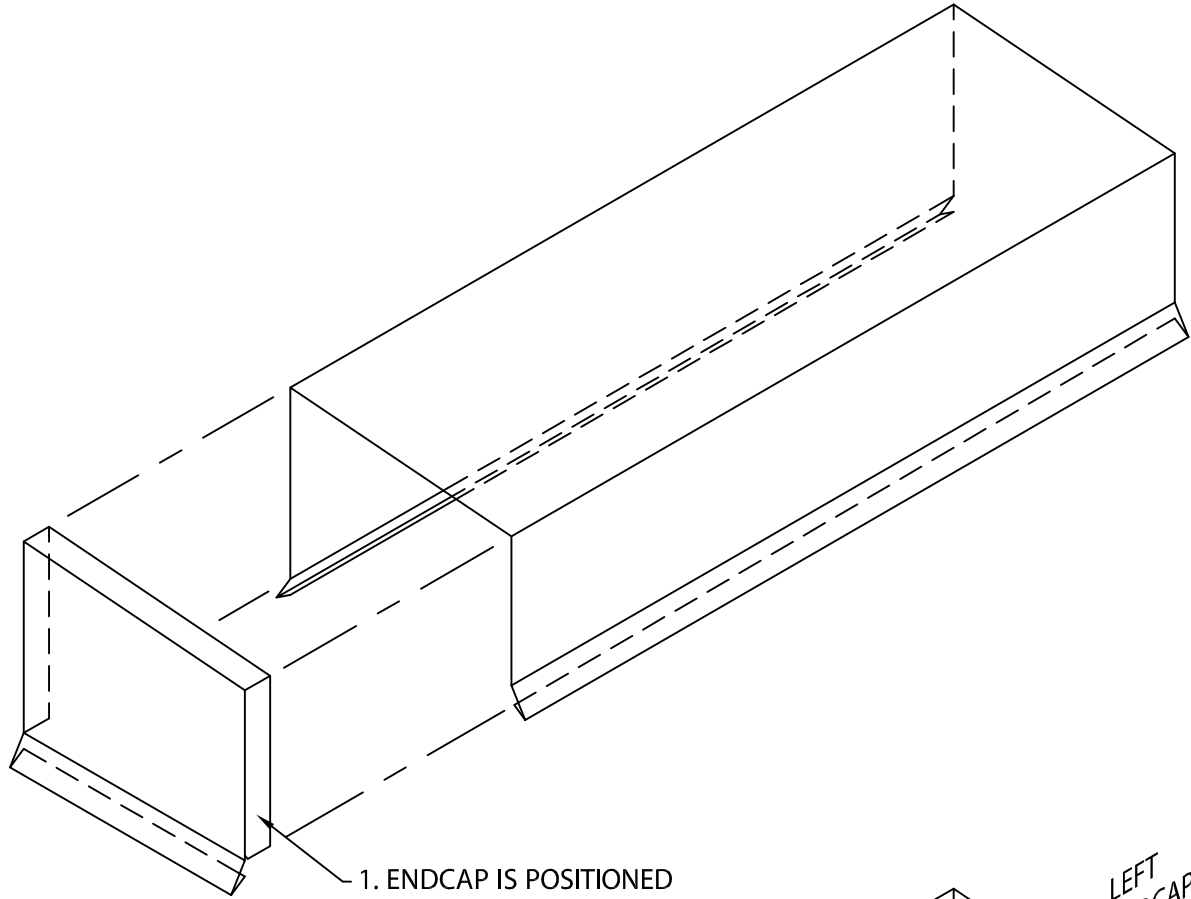


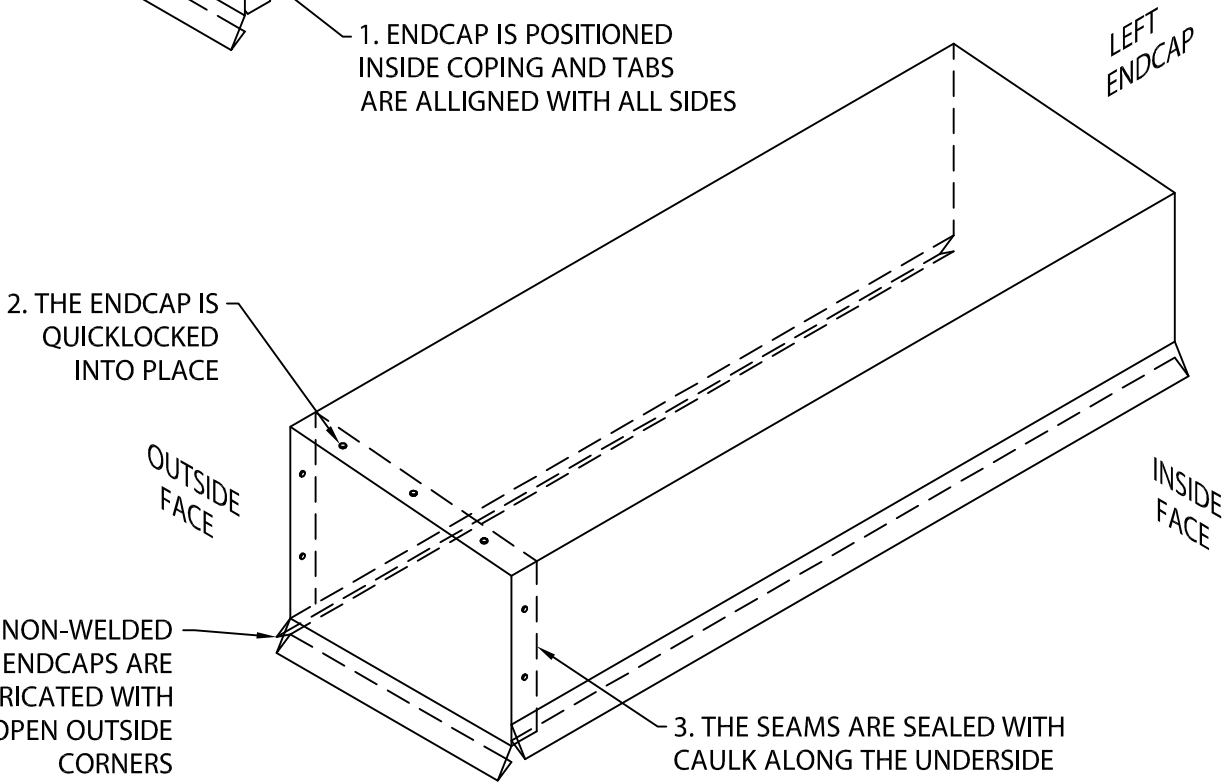
FLEXCAP FLC COPING ENDCAPS

QUICKLOCK ENDCAP ASSEMBLY

STANDARD ENDCAP LENGTH IS 18"



1. ENDCAP IS POSITIONED
INSIDE COPING AND TABS
ARE ALLIGNED WITH ALL SIDES



2. THE ENDCAP IS
QUICKLOCKED
INTO PLACE

NON-WELDED
ENDCAPS ARE
FABRICATED WITH
OPEN OUTSIDE
CORNERS

3. THE SEAMS ARE SEALED WITH
CAULK ALONG THE UNDERSIDE



Customer Service
Phone: 800-969-0108
Fax: 610-916-9501

DATE: 12/13/10
DRN BY: JJC
CKD BY: SAK

SHT.# ___ OF ___
DWG# 28511-3465

C