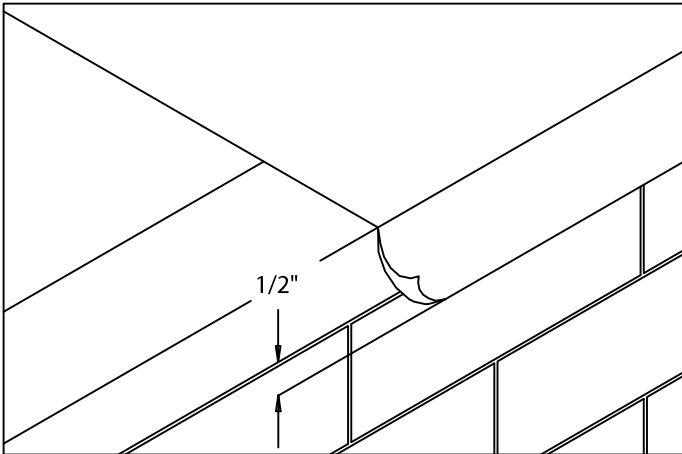




SECUREDGE 2000 HG FASCIA

FULLY ADHERED OR MECHANICALLY ATTACHED SINGLE-PLY VERSION WITH FACTORY APPLIED BUTYL TAPE

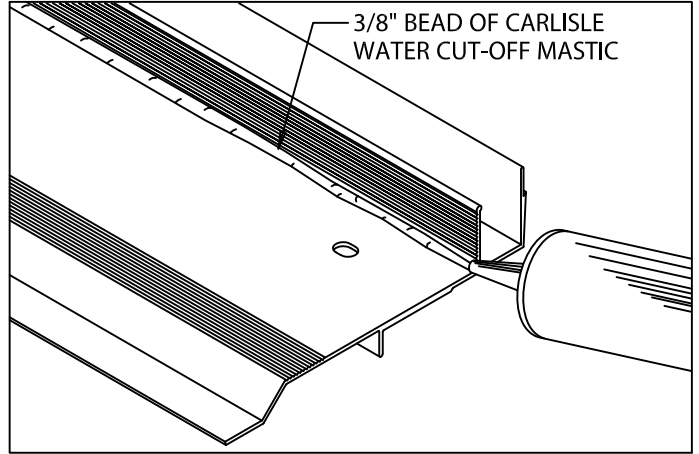
INSTALLATION INSTRUCTIONS



1. Roof Membrane

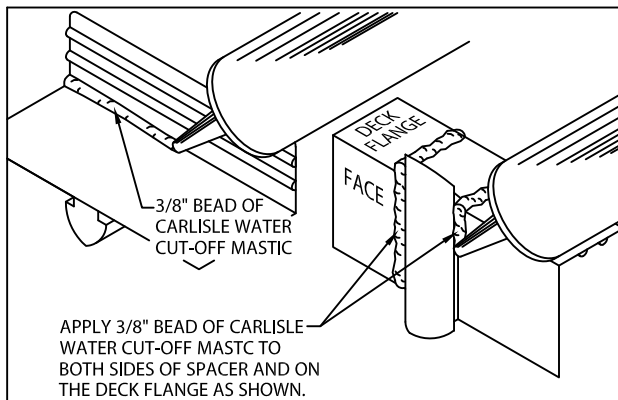
Position membrane over the roof edge and down outside face of wall, covering treated wood nailer(s) completely. Allow 1/2" excess membrane.

IMPORTANT! Outside edge of treated wood nailer(s) (minimum 2 x 4) shall be aligned flush with or extend slightly past outermost edge of wall. Securedge 2000 Fascia is for use as a perimeter securement on roof designs where the product is not installed in a waterline. If the product will be in a waterline or requires drainage over the edge, we would recommend the use of Securedge 2000 Canted Fascia or Securedge 2000 Drip Edge, depending on desired retention of water or drainage.



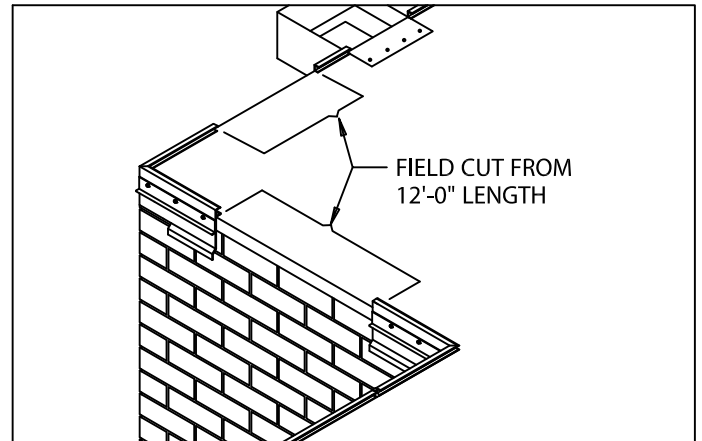
2. Miter & Scupper Anchor Bar (Preparation)

Lay miters and spillover scuppers on deck with outside face down. Be sure aluminum anchor bar is clean and free of dirt or dust. Apply a heavy 3/8" bead of Carlisle Water Cut-Off Mastic to the right angle intersection of the deck flange and back of anchor bar as shown. Application of sealant is required along the full length of each miter anchor bar.



3. Anchor Bar Splice Plates

Apply Carlisle Water Cut-Off Mastic to each splice plate as shown and described in STEP 2. Ensure the mastic is placed into the grooves along the spacer.



4. Miter Bar Installation

Fold roofing membrane at corners and install miters using 2" stainless steel fasteners and driver bit furnished by Carlisle. Fasten anchor bar corners to nailer with one splice plate under each end of corner. The anchor bar must insert into the grooves of the anchor bar splice plate. Next locate and install spillouts and scuppers with Carlisle Water Cut-Off Mastic, 2" fasteners and splice plates.



Customer Service
866-458-3537
(Metal-Era)

DATE: 08/10/20
DRN BY: JJC
CKD BY: JAI

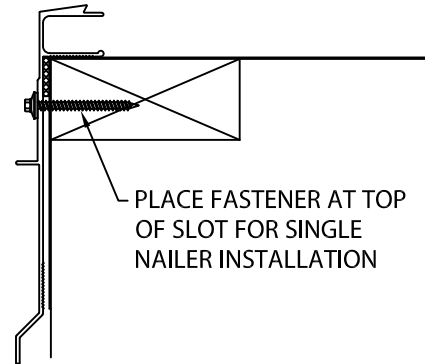
SHT.# 1 OF 3
DWG# 15110-34555

A

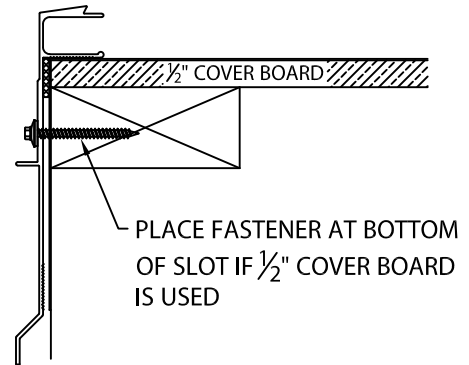
DIAGONAL SLOT ANCHOR BAR INSTALLATION

NOTE: IF THE SLOTS ON THE ANCHOR BAR ARE ALL HORIZONTAL, NOT DIAGONAL, FASTEN IN THE CENTER OF THE SLOT

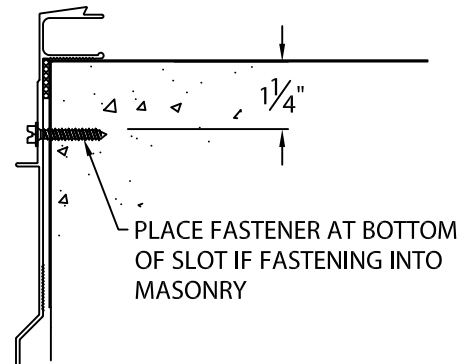
PLACE FASTENER AT TOP OF SLOT FOR SINGLE NAILER INSTALLATION



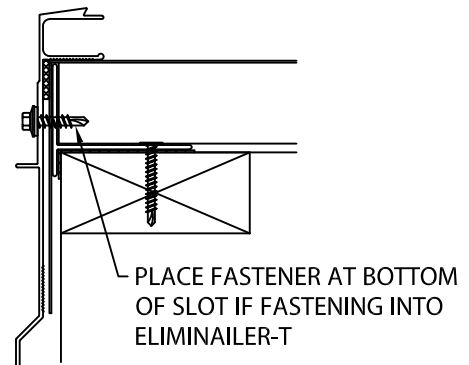
PLACE FASTENER AT BOTTOM OF SLOT IF 1/2" COVER BOARD IS USED



PLACE FASTENER AT BOTTOM OF SLOT IF FASTENING INTO MASONRY



PLACE FASTENER AT BOTTOM OF SLOT IF FASTENING INTO ELIMINAILER-T

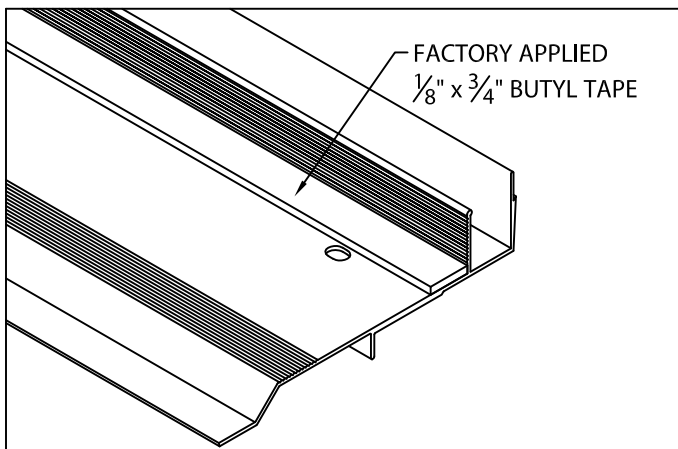




SECUREDGE 2000 HG FASCIA

FULLY ADHERED OR MECHANICALLY ATTACHED SINGLE-PLY VERSION WITH FACTORY APPLIED BUTYL TAPE

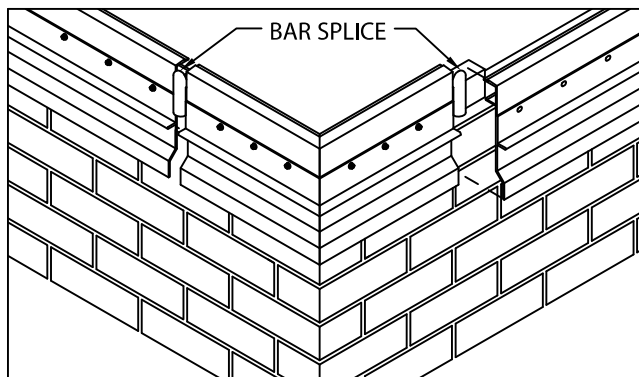
INSTALLATION INSTRUCTIONS



5. 12'-0" Anchor Bar (Preparation)

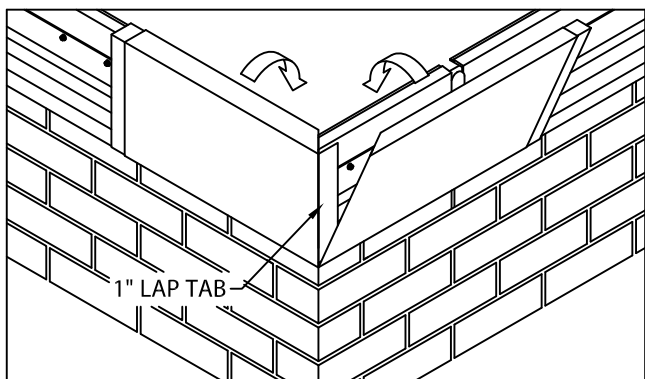
Remove release paper from the top of the factory applied butyl tape.

IMPORTANT! Be sure to remove protective plastic film prior to installing each fascia section.



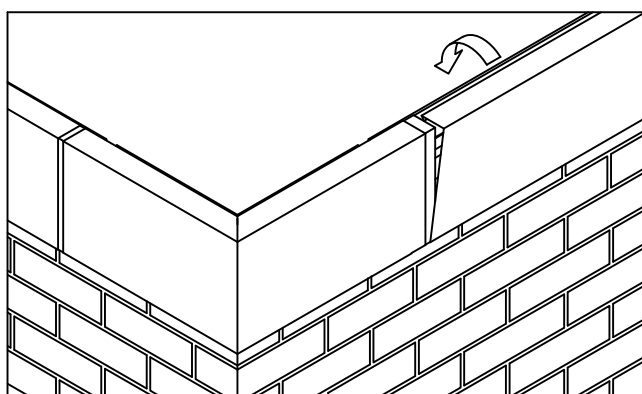
6. Anchor Bar Installation

Position 12' sections of anchor bar, overlapping splice plate and butting snugly into gasket. Allow 3/8" space between anchor bars. Install splice plate at other end of 12' bar. Fasten anchor bar 12" O.C. through slots using the 2" stainless steel fasteners provided. The anchor bar must insert into the grooves of the anchor bar splice plates. Field cut sections as necessary.



7. Fascia Miter Covers

Install miter covers first. Insert one splice plate under each end of the two piece miter cover. Engage cover with 90° tab onto bottom of anchor bar and rotate miter cover up and over anchor bar miter until engaged along entire length of the anchor bar. Repeat steps to install miter cover without the 90° tab.



8. Fascia Covers

Install 12'-0" fascia cover sections. Allow a 3/8" gap between fascia cover sections. Insert one splice plate under far end of each fascia cover section. Install cover by hooking lower edge of cover onto anchor bar and rotating cover up and over anchor bar until engaged along entire length of cover section. Continue to install cover sections in this manner, field cutting where necessary using a fine tooth hacksaw.



Customer Service
866-458-3537
(Metal-Era)

DATE: 08/10/20
DRN BY: JJC
CKD BY: JAI

SHT.# 2 OF 3
DWG# 15110-34555

A

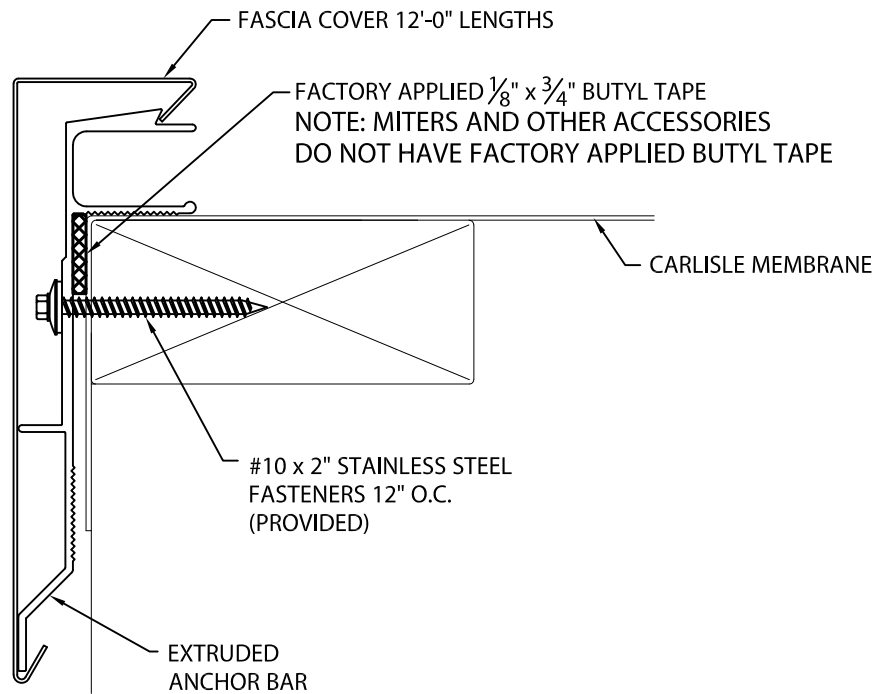


SECUREDGE 2000 HG FASCIA

FULLY ADHERED OR MECHANICALLY ATTACHED SINGLE-PLY VERSION WITH FACTORY APPLIED BUTYL TAPE

INSTALLATION INSTRUCTIONS

TYPICAL INSTALLATION



Customer Service
866-458-3537
(Metal-Era)

DATE: 08/10/20
DRN BY: JJC
CKD BY: JAI

SHT.# 3 OF 3
DWG# 15110-34555

A