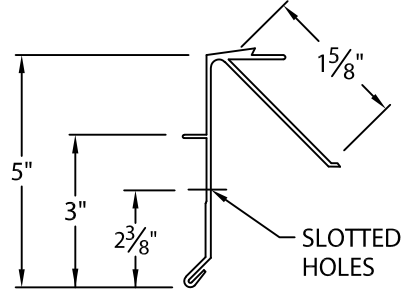
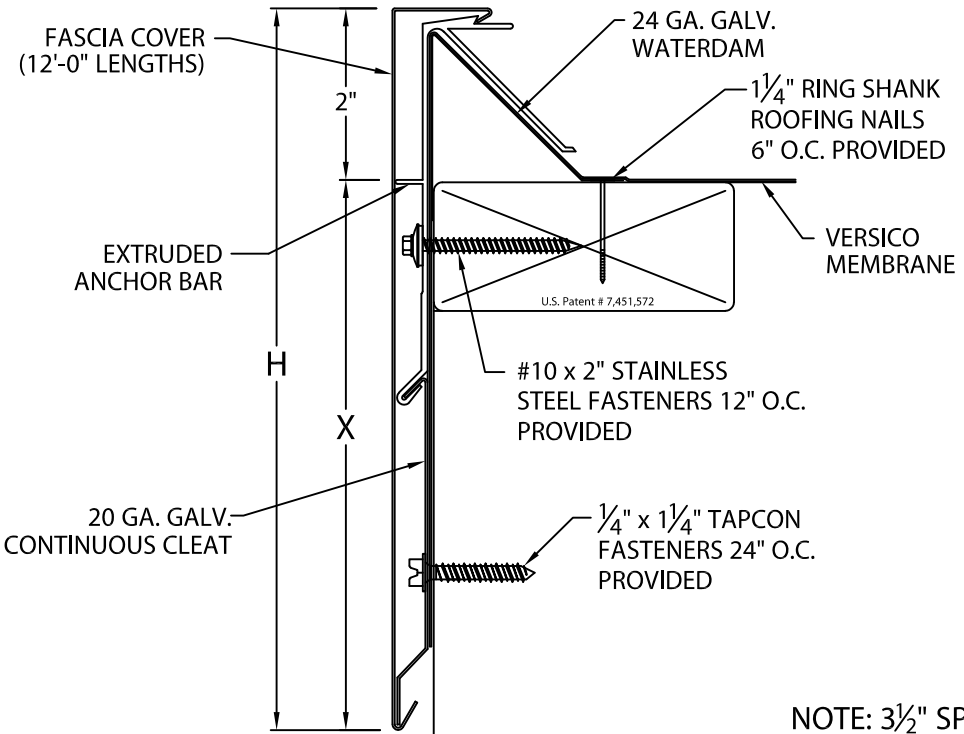




# VERSITRIM 2000 EXTENDED CANTED FASCIA

GALVANIZED WATERDAM VERSION

ANSI/SPRI ES-1 DESIGN PRESSURE OF 139 psf



EXTRUDED PROFILE

NOTE: 3/2" SPLICE PLATES PROVIDED AT ALL JOINTS

## VERSITRIM 2000 EXTENDED CANTED FASCIA DIMENSIONS

PRODUCT ID. NO.	H DIM	X DIM
<input type="checkbox"/> AEFC-902	9"	7"
<input type="checkbox"/> AEFC-1052	10 1/2"	8 1/2"
<input type="checkbox"/> AEFC-1202	12"	10"
<input type="checkbox"/> AEFC-1352	13 1/2"	11 1/2"

## MATERIAL:

22 GA. GALV. STEEL     .063" ALUMINUM  
 .050" ALUMINUM     OTHER \_\_\_\_\_  
 COLOR: \_\_\_\_\_ FINISH: \_\_\_\_\_

Fabrication will proceed only after receipt of signed print approval.

## Print Approval:

Architect and/or contractor shall verify all dimensions, sizes and quantities. All products to be installed in strict accordance with with Versico, Inc's. printed instructions.

Approved by: \_\_\_\_\_  
Date: \_\_\_\_\_

## QUANTITIES:

\_\_\_\_\_ LINEAL FEET 12'-0" LENGTHS  
 \_\_\_\_\_ OUTSIDE MITER(S) @ 90°  
 \_\_\_\_\_ INSIDE MITER(S) @ 90°  
 \_\_\_\_\_ OVERFLOW SCUPPER(S) STYLE \_\_\_A\_\_\_B  
 \_\_\_\_\_ SPILLOUT SCUPPER(S) STYLE \_\_\_A\_\_\_B  
 \_\_\_\_\_ DOWNSPOUT SCUPPER(S) STYLE \_\_\_A\_\_\_B  
 (\_\_\_\_X\_\_\_\_) SIZE    A: TAPERED 1 1/2" DROP  
                                 B: FLAT

FOR NON-90 MITERS SEE PRINT APPROVAL #18010-2039

PROJECT: \_\_\_\_\_

ARCHITECT: \_\_\_\_\_

ROOFING CONTRACTOR: \_\_\_\_\_

REPRESENTATIVE/DISTRIBUTOR: \_\_\_\_\_

Customer Service  
800-558-2162  
(Metal-Era)



DATE: 03/06/19

DRN BY: ZS

CKD BY: SAK

SHT.# \_\_\_ OF \_\_\_

DWG# 18010-2086

N