



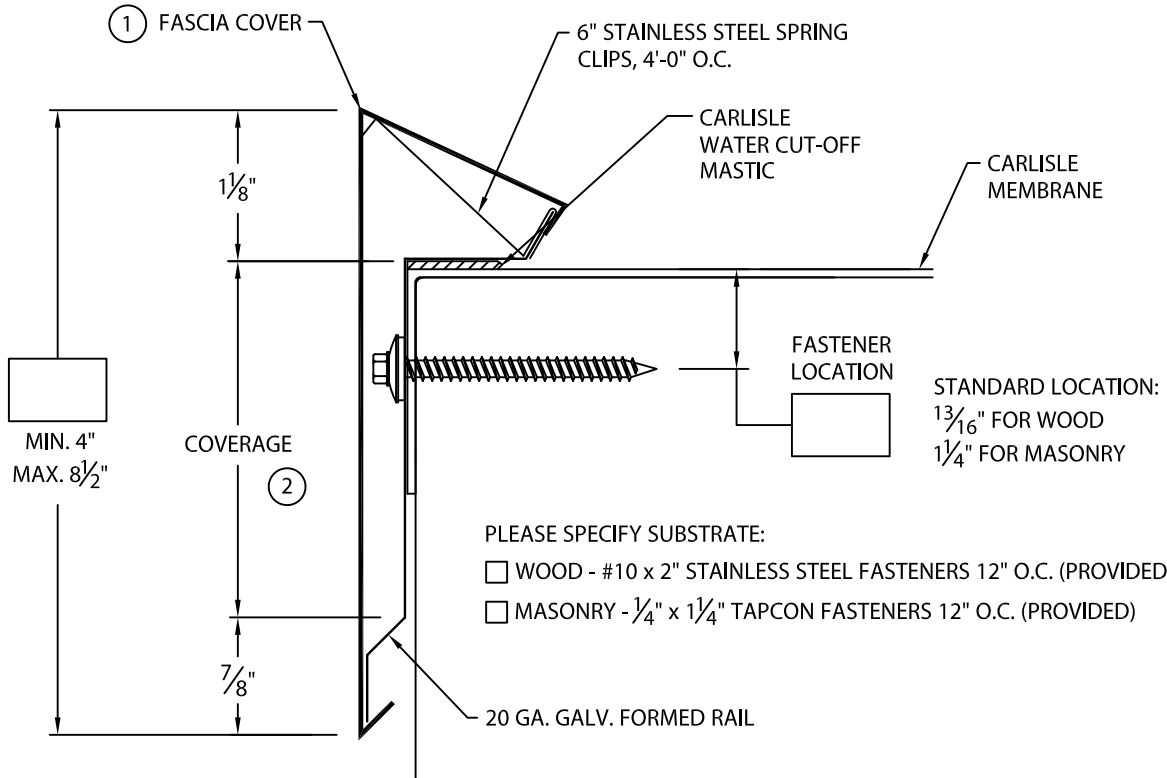
# CUSTOM SECUREDGE ONE

FULLY ADHERED OR MECHANICALLY ATTACHED SINGLE-PLY VERSION

CUSTOM FACE SIZE, FASTENER LOCATION AND COVER LENGTHS - 24 GA., 22 GA. AND .040" COVER MATERIAL

ANSI/SPRI ES-1 DESIGN PRESSURE OF 155 psf

U.S. Patent # 5,927,023



## NOTES:

- ① FASCIA COVER PROVIDED WITH 1" LAP JOINT
- ② TYPICALLY COVERAGE SHOULD EXTEND A MIN. OF 1" BELOW WOOD BLOCKING IF APPLICABLE.

## MATERIAL:

- \_\_\_ 24 Ga. Galvanized Steel
- \_\_\_ 22 Ga. Galvanized Steel
- \_\_\_ .040" Aluminum
- \_\_\_ Other \_\_\_\_\_

Color: \_\_\_\_\_

Finish: \_\_\_\_\_

## QUANTITIES:

\_\_\_ Lineal Feet @ \_\_\_\_\_ Lengths

OR

\_\_\_ Pcs. @ \_\_\_\_\_ Lengths

\_\_\_ Outside Miter(s) (Cover Only) @ 90°

\_\_\_ Inside Miter(s) (Cover Only) @ 90°

For Non-90° Miters, See Print Approval #15010-1625

Fabrication will proceed only after receipt of signed print approval.

## Print Approval:

Architect and/or contractor shall verify all dimensions, sizes and quantities. All products to be installed in strict accordance with Carlisle's printed instructions.

Approved by: \_\_\_\_\_

Date: \_\_\_\_\_

PROJECT:

ARCHITECT:

ROOFING CONTRACTOR:

REPRESENTATIVE/DISTRIBUTOR:

Customer Service  
866-458-3537  
(Metal-Era)



DATE: 11/12/18

DRN BY: JJC

CKD BY: SAK

SHT.# \_\_\_ OF \_\_\_

DWG# 15310-19938

G