

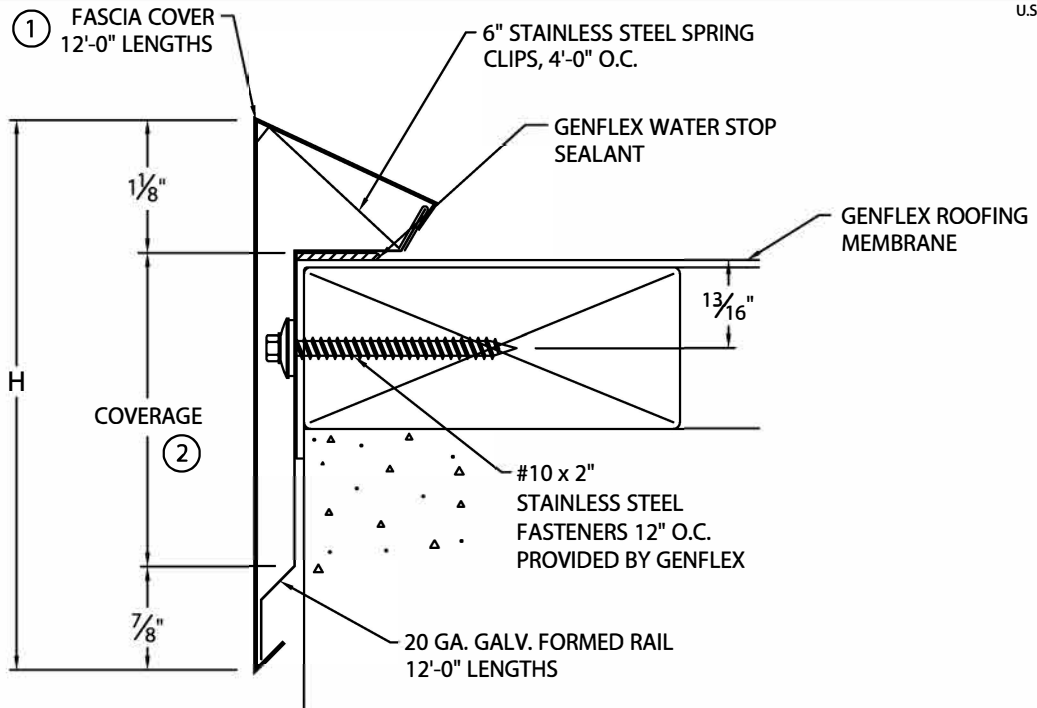


# GENFLEX ONE EDGE SP FASCIA

.050" AND .063" COVER MATERIAL

ANSI/SPRI ES-1 DESIGN PRESSURE OF 155 psf

U.S. Patent # 5,927,023



## NOTES:

- ① FASCIA COVER PROVIDED WITH 3 1/2" WIDE SPLICE PLATES
- ② TYPICALLY COVERAGE SHOULD EXTEND A MIN. OF 1" BELOW WOOD BLOCKING IF APPLICABLE.

## FASCIA DIMENSIONS

PRODUCT ID. NO.	H DIM	COVERAGE
<input type="checkbox"/> ESE-S40	4"	2"
<input type="checkbox"/> ESE-S50	5"	3"
<input type="checkbox"/> ESE-S65	6 1/2"	4 1/2"
<input type="checkbox"/> ESE-S80	8"	6"

Fabrication will proceed only after receipt of signed print approval.

## Print Approval:

Architect and/or contractor shall verify all dimensions, sizes and quantities. All products to be installed in strict accordance GenFlex's printed instructions.

Approved by: \_\_\_\_\_

Date: \_\_\_\_\_

## MATERIAL:

\_\_\_ .050" Aluminum  
 \_\_\_ .063" Aluminum  
 \_\_\_ Other \_\_\_\_\_

Color: \_\_\_\_\_

Finish: \_\_\_\_\_

## QUANTITIES:

\_\_\_\_\_ Lineal Feet 12'-0" Lengths

\_\_\_\_\_ Outside Miters @ 90° (Cover Only)

\_\_\_\_\_ Inside Miters @ 90° (Cover Only)

For Non-90° Miters, See Print Approval #22010-2369

PROJECT:

ARCHITECT:

ROOFING CONTRACTOR:

REPRESENTATIVE/DISTRIBUTOR:

Customer Service

Phone: 800-588-2162

Fax: 800-373-9156

www.metalera.com/genflex



DATE: 06/14/21

DRN BY: JJC

CKD BY: MM

SHT.# \_\_\_ OF \_\_\_

DWG# 22010-17723 J