



PRESTO-TITE HG RADIUS FASCIA

FULLY ADHERED OR MECHANICALLY ATTACHED SINGLE-PLY VERSION

IMPORTANT!!! MUST INDICATE PROPER RADIUS CONDITION BY CIRCLING APPROPRIATE OUTSIDE FACE

PROVIDING A RADIUS
THE RADIUS MAY BE PROVIDED
IN ONE OF TWO METHODS:

1.) THE ACTUAL KNOWN RADIUS IS

' FEET " INCHES

OR

2.) FIELD CONDITION MEASUREMENTS

NOTE: REFER TO ATTACHED WORKSHEET
FOR FURTHER INFORMATION

" INCHES

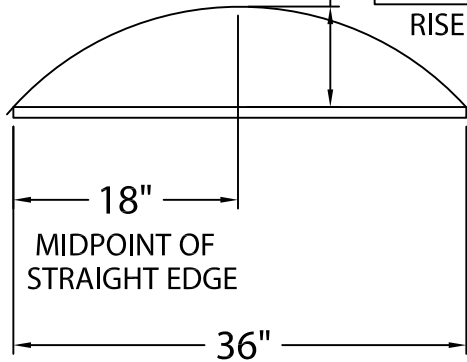
RISE

MINIMUM OF 4'-6"
(CALL IF LESS)

* RADIUS PRODUCT NOT
REQUIRED IF OVER 150'-0"

MAXIMUM OF 3 ³/₃₂"
(CALL IF MORE)

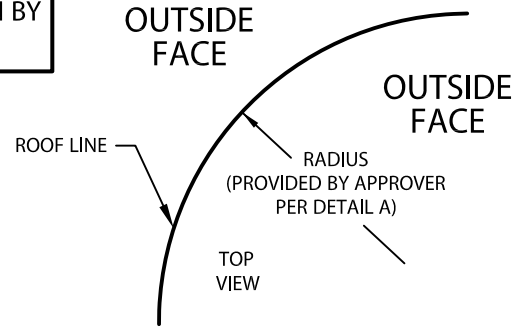
* RADIUS PRODUCT NOT
REQUIRED IF UNDER 3 ³/₃₂"



LENGTH OF
STRAIGHT EDGE

NOTE: CHECK MEASUREMENTS ALONG ENTIRE RADIUS.

DETAIL A

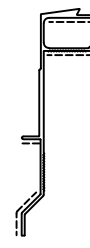


----- INDICATES AREAS THAT WILL BE SLIT AS
NEEDED TO ACCOMODATE RADIUS



* RADIUS FASCIA
PROVIDED IN 4'-0"
LENGTHS IF RADIUS IS
LESS THAN 48'-0".

* RADIUS FASCIA
PROVIDED IN 12'-0"
LENGTHS IF RADIUS IS
48'-0" OR GREATER.



* RADIUS EXTRUDED
BAR PROVIDED IN
4'-0" LENGTHS IF
RADIUS IS LESS THAN
48'-0".

* RADIUS EXTRUDED
BAR PROVIDED IN
12'-0" LENGTHS IF
RADIUS IS 48'-0" OR
GREATER.

PRESTO-TITE HG RADIUS FASCIA DIMENSIONS

PRODUCT ID. NO.	H DIM	COVERAGE	
<input type="checkbox"/> HG-AF-40	4"	2 ³ / ₄ "	
<input type="checkbox"/> HG-AF-55	5 ¹ / ₂ "	4 ¹ / ₄ "	
<input type="checkbox"/> HG-AF-70	7"	5 ³ / ₄ "	
<input type="checkbox"/> HG-AF-85	8 ¹ / ₂ "	7 ¹ / ₄ "	
<input type="checkbox"/> HG-AF-100	10"	8 ³ / ₄ "	

Fabrication will proceed only after receipt of signed print approval.

Print Approval:

Architect and/or contractor shall verify all dimensions, sizes and quantities. All products to be installed in strict accordance with Johns Manville's printed instructions.

Approved by: _____

Date: _____

MATERIAL:

____ 24 GA. GALVANIZED STEEL COLOR: _____
 ____ 22 GA. GALVANIZED STEEL FINISH: _____
 ____ .040" ALUMINUM
 ____ .050" ALUMINUM
 ____ .063" ALUMINUM
 ____ OTHER _____

QUANTITIES:

_____ LINEAL FEET 12'-0" LENGTHS

PROJECT:

ARCHITECT:

ROOFING CONTRACTOR:

REPRESENTATIVE/DISTRIBUTOR:

51 Lexington Street; Lewiston, ME 04240
 CUSTOMER SERVICE: 800-223-8317 USA
 800-445-1500 Canada
 TECHNICAL SERVICE: 800-445-1500 USA & Canada
 FAX: 207-784-0125
 OTHER AREAS CALL: 207-784-0123



DATE: 08/15/18

DRN BY: JJC

CKD BY: SAK

SHT.# ____ OF ____

DWG# 16010-5604

H