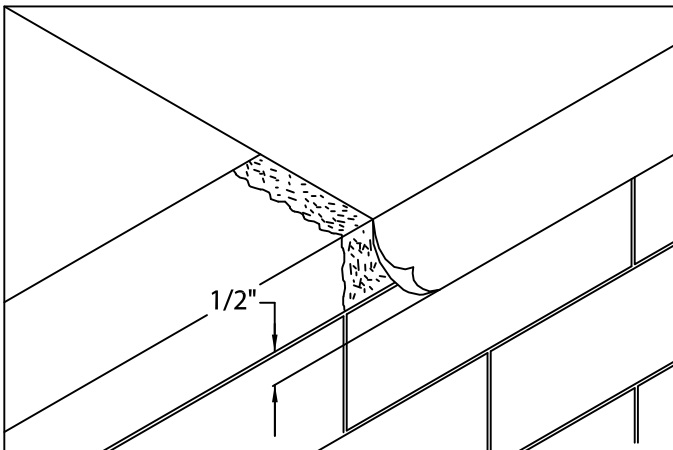




ELEVATE ANCHORGARD® PLATINUM FASCIA

PLATINUM VERSION

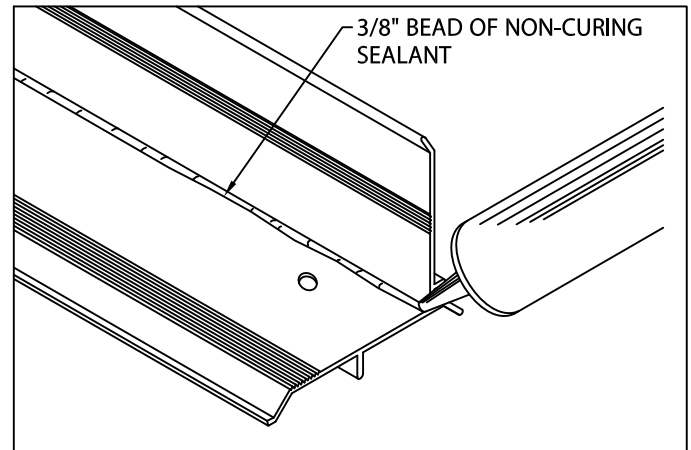
INSTALLATION INSTRUCTIONS



1. Roof Membrane

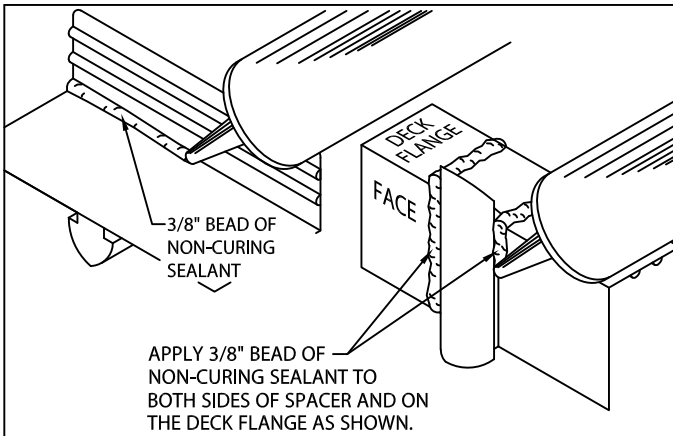
Position membrane over the roof edge and down outside face of wall, covering treated wood nailer(s) completely. Allow 1/2" excess membrane.

IMPORTANT! Outside edge of treated wood nailer(s) (minimum 2 x 4) shall be aligned flush with or extended slightly past outermost edge of wall. Fascia is for use as a perimeter securement on roof designs where the product is not installed in a waterline.



2. Miter & Scupper Anchor Bar (Preparation)

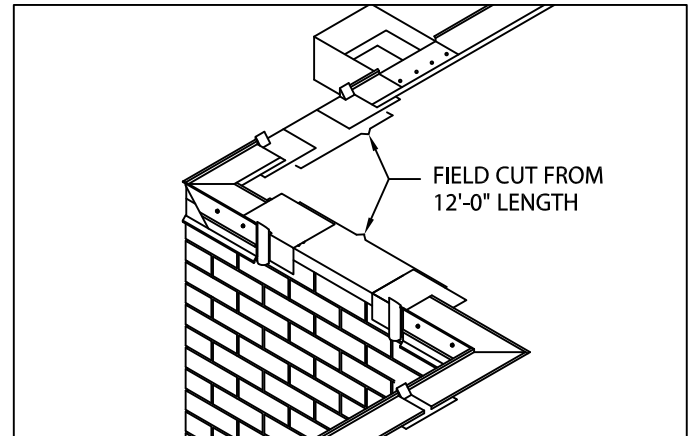
Lay miters and spill out scuppers on deck with outside face down. Be sure aluminum anchor bar is clean and free of dirt or dust. Apply a heavy 3/8" bead of non-curing sealant to the right angle intersection of the deck flange and back of the anchor bar as shown. Application of sealant is required along the full length of each miter anchor bar.



3. Anchor Bar Splice Plates

Apply non-curing sealant to each splice plate as shown and described in STEP 2. Ensure the sealant is placed into the grooves along the spacer.

CAUTION! Installers shall wear protective eye wear to prevent injury. Do not over-drive fasteners, as stripping can occur at high driver torque. Recommended driving tool: 600 - 800 rpm electric drill equipped with depth-sensing nose-piece to prevent driving and stripout. Do not use impact type tool.



4. Miter Bar Installation

Fold roofing membrane at corners and install miters using fasteners and driver bit provided by the manufacturer. Fasten anchor bar corners to nailer with one splice plate under each end of corner. The anchor bar must insert into the grooves of the splice plate. Next locate and install spill outs and scuppers with sealant, fasteners and anchor bar splice plates.



ELEVATE
26 CENTURY BLVD.
SUITE 205
NASHVILLE, TN 37214

CONTACT YOUR LOCAL ELEVATE REPRESENTATIVE

DATE: 10/16/23
DRN BY: ZS
CKD BY: MM

SHT.# 1 OF 2

DWG# 13110-1106

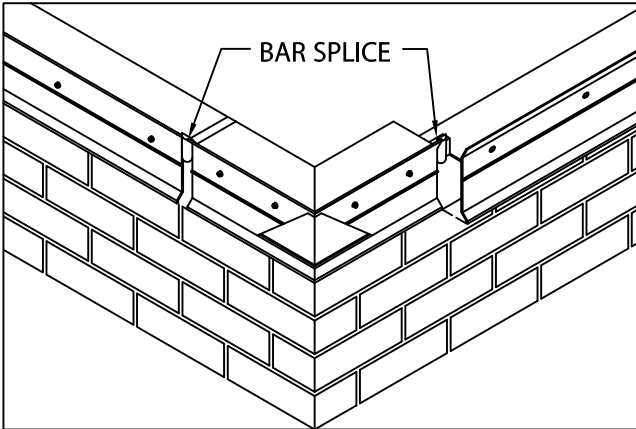
N



ELEVATE ANCHORGARD® PLATINUM FASCIA

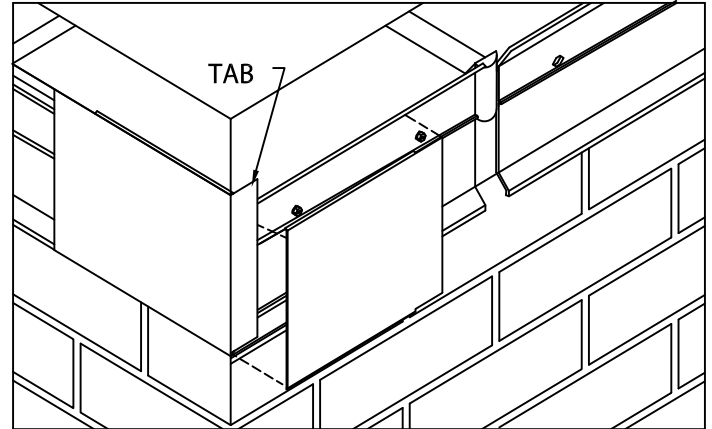
PLATINUM VERSION

INSTALLATION INSTRUCTIONS



5. Anchor Bar (Installation)

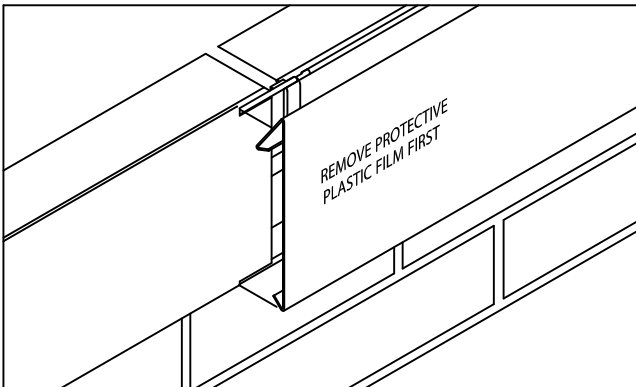
Position 12'-0" sections of anchor bar with applied non-curing sealant as shown in steps 2 & 3 overlapping anchor bar splice. Allow 3/8" space between anchor bars. Install anchor bar splice plate at other end of 12'-0" bar. Fasten anchor bar 12" O.C. through slots using fasteners provided. The anchor bars must insert into the grooves of the splice plate. Field cut sections as necessary.



6. Fascia Miters Covers

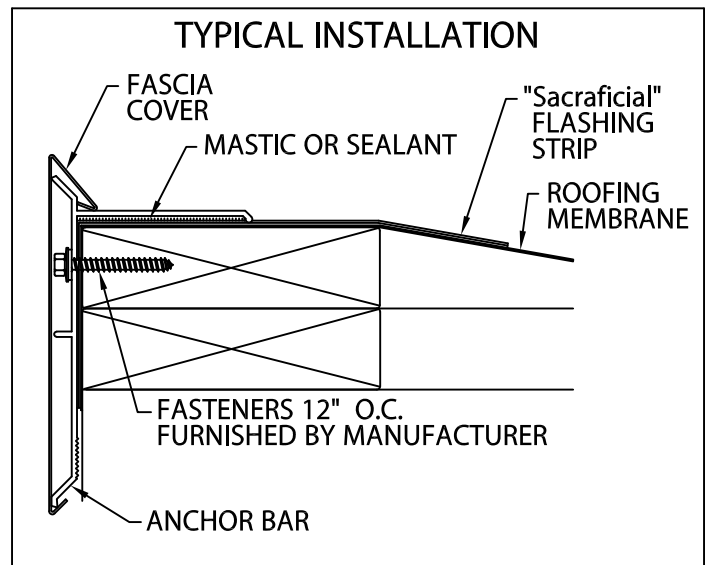
Install 2 piece fascia corner covers first by snapping on corner cover with tab, followed by corner cover without tab. Simply position the covers atop bar, and with palm of hand, apply slight pressure downward until engaged to anchor bar.

IMPORTANT! Be sure to remove protective plastic film prior to installing each fascia section.



7. Fascia Covers

Position 12' - 0" fascia covers on top of bar over-lapping preceding cover 1" at notches provided. Covers to be installed right to left as seen from roof top. With covers in position, snap each section onto bar by applying downward pressure with palm of hand. field cut covers as necessary using a fine tooth hacksaw.



ELEVATE
26 CENTURY BLVD.
SUITE 205
NASHVILLE, TN 37214

CONTACT YOUR LOCAL ELEVATE REPRESENTATIVE

DATE: 10/16/23

DRN BY: ZS

CKD BY: MM

SHT.# 2 OF 2

DWG# 13110-1106

N