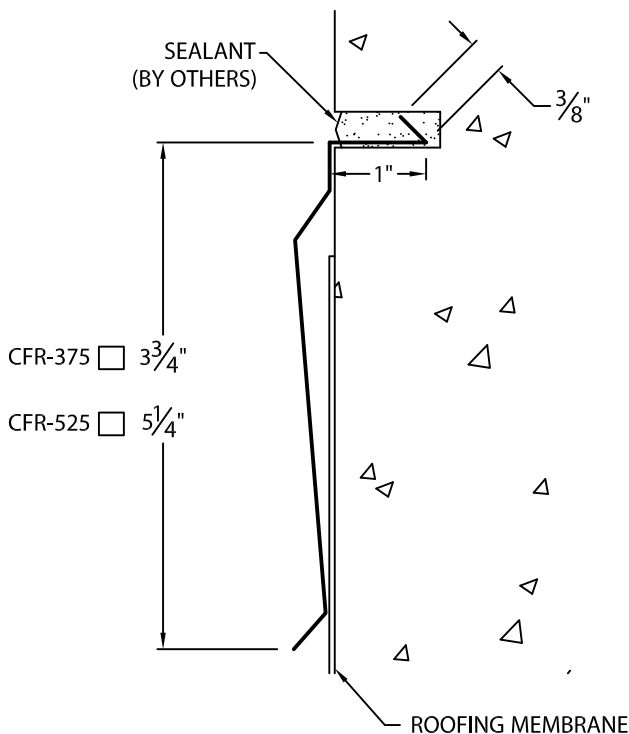


1 PC COUNTERFLASHING

REGLET VERSION



NOTE: PRE-NOTCHED LAP JOINTS 3"

Fabrication will proceed only after receipt of signed print approval.

Print Approval:

Architect and/or contractor shall verify all dimensions, sizes and quantities. All products to be installed in strict accordance with GenFlex's printed instructions.

Approved by: _____

Date: _____

MATERIAL:

24 Ga. Galv.
 .040" Alum. Color: _____
 .050" Alum.
 .063" Alum. Finish: _____
 OTHER _____

QUANTITIES:

_____ Lineal Feet 12'-0" Lengths

PROJECT:

ARCHITECT:

ROOFING CONTRACTOR:

REPRESENTATIVE/DISTRIBUTOR:

Customer Service

Phone: 800-588-2162

Fax: 800-373-9156

www.metalera.com/genflex



DATE: 02/26/21

DRN BY: JJC

CKD BY: MM

SHT.# ___ OF ___

DWG# 22015-1346

D