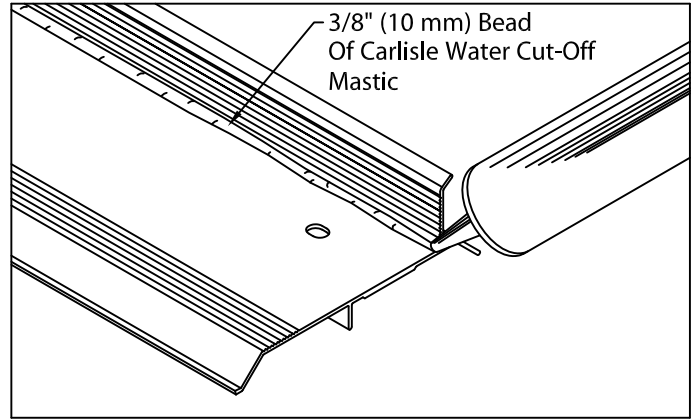


1. Roof Membrane

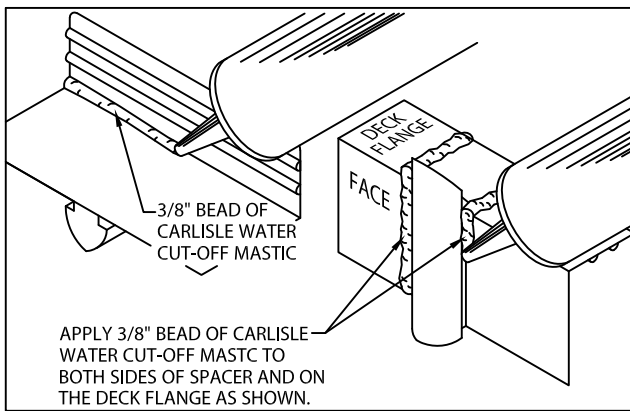
Position membrane over the roof edge and down outside face of wall, covering treated wood nailer(s) completely. Allow 1/2" excess membrane.

IMPORTANT! Outside edge of treated wood nailer(s) (minimum 2 x 4) shall be aligned flush with or extend slightly past outermost edge of wall. Securedge 2000 Fascia is for use as a perimeter securement on roof designs where the product is not installed in a waterline. If the product will be in a waterline or requires drainage over the edge, we would recommend the use of Securedge 2000 Canted Fascia or Securedge 2000 Drip Edge, depending on desired retention of water or drainage.



2. Miter & Scupper Anchor Bar (Preparation)

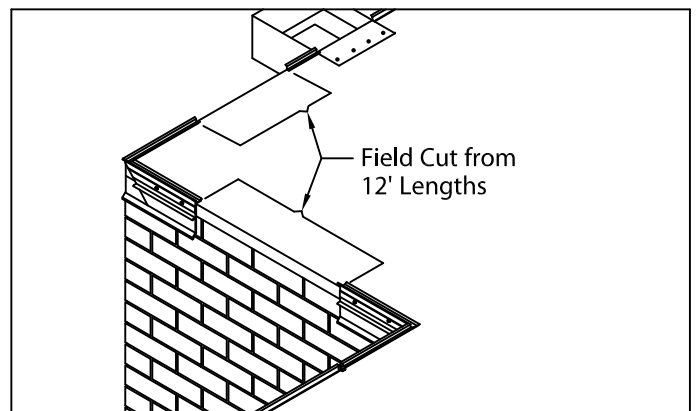
Lay miters and spillout scuppers on deck with outside face down. Be sure aluminum anchor bar is clean and free of dirt or dust. Apply a heavy 3/8" bead of Carlisle Water Cut-Off Mastic to the right angle intersection of the deck flange and back of anchor bar as shown. Application of sealant is required along the full length of each miter anchor bar.



3. Anchor Bar Splice Plates

Apply Carlisle Water Cut-Off Mastic to each splice plate as shown and described in STEP 2. Ensure the mastic is placed into the grooves along the spacer.

CAUTION! Installers shall wear protective eyewear to prevent injury. Do not over-drive fasteners, as stripping can occur at high driver torque. Recommended driving tool: 600 - 800 rpm electric drill equipped with depth-sensing nosepiece to prevent over-driving and stripout. Do not use impact type tool.



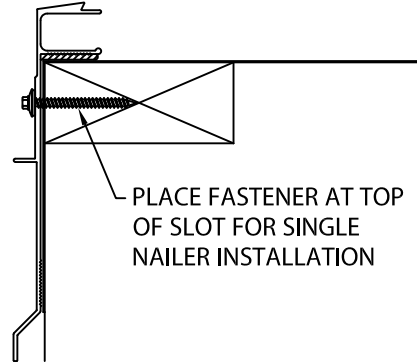
4. Miter Bar Installation

Fold roofing membrane at corners and install miters using 2" stainless steel fasteners and driver bit furnished by Carlisle. Fasten anchor bar corners to nailer with one splice plate under each end of corner. The anchor bar must insert into the grooves of the anchor bar splice plate. Next locate and install spillouts and scuppers with Carlisle Water Cut-Off Mastic, 2" fasteners and splice plates.

DIAGONAL SLOT ANCHOR BAR INSTALLATION

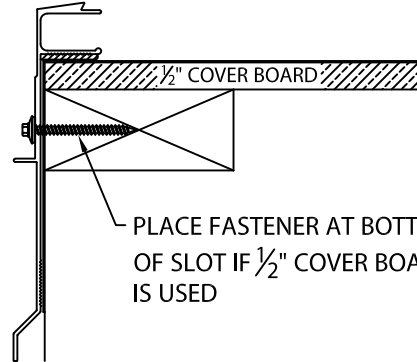
NOTE: IF THE SLOTS ON THE ANCHOR BAR ARE ALL HORIZONTAL, NOT DIAGONAL, FASTEN IN THE CENTER OF THE SLOT

PLACE FASTENER AT TOP OF SLOT FOR SINGLE NAILER INSTALLATION



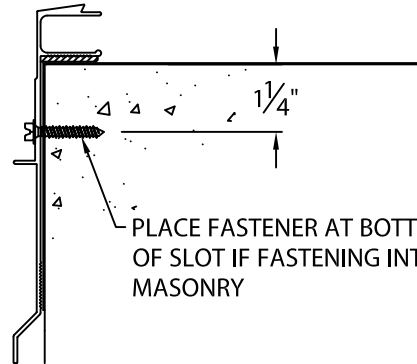
PLACE FASTENER AT TOP OF SLOT FOR SINGLE NAILER INSTALLATION

PLACE FASTENER AT BOTTOM OF SLOT IF 1/2" COVER BOARD IS USED



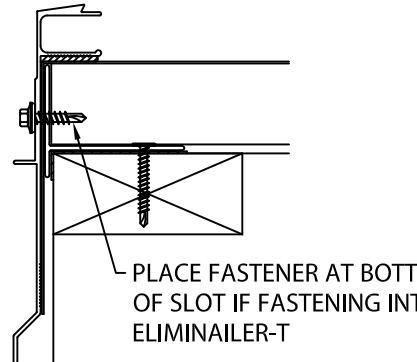
PLACE FASTENER AT BOTTOM OF SLOT IF 1/2" COVER BOARD IS USED

PLACE FASTENER AT BOTTOM OF SLOT IF FASTENING INTO MASONRY

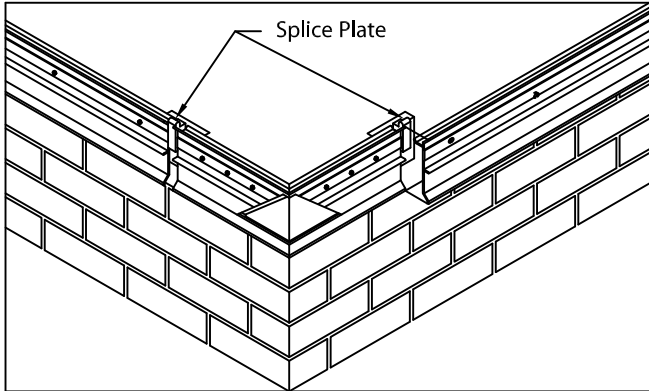


PLACE FASTENER AT BOTTOM OF SLOT IF FASTENING INTO MASONRY

PLACE FASTENER AT BOTTOM OF SLOT IF FASTENING INTO ELIMINAILER-T

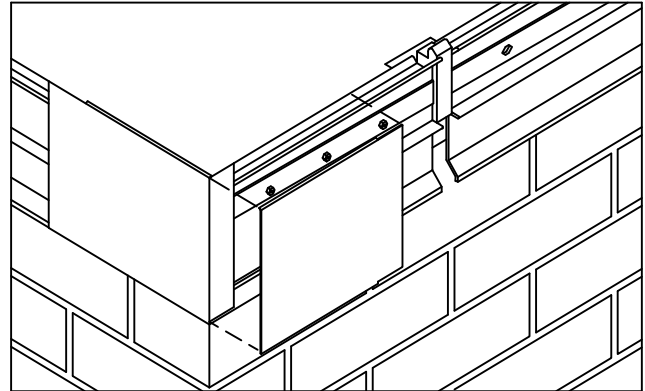


PLACE FASTENER AT BOTTOM OF SLOT IF FASTENING INTO ELIMINAILER-T



5. Anchor Bar (Installation)

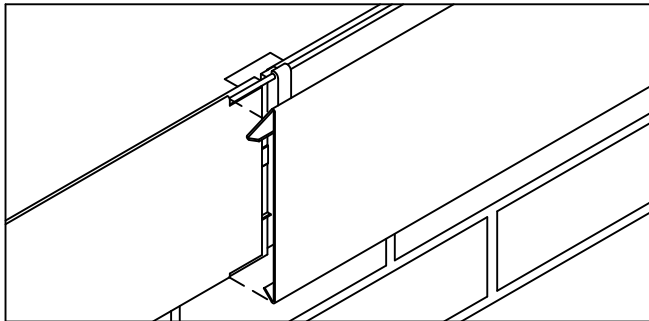
Position 12' sections of anchor bar with applied Carlisle Water Cut-off mastic, as shown in steps 2 & 3, overlapping splice plate and butting snugly into gasket. Allow 3/8" space between anchor bars. Install splice plate at other end of 12' bar. Fasten anchor bar 12" O.C. through slots using the 2" stainless steel fasteners provided. The anchor bar must insert into the grooves of the anchor bar splice plates. Field cut sections as necessary.



6. Fascia Miters Covers

Install 2-piece "snap-on" fascia miter covers first by snapping on fascia miter cover with 90° (degree) tab, followed by fascia miter cover without the tab. Simply position the cover atop bar and with palm of hand apply slight pressure downward until engaged to anchor bar.

IMPORTANT! Be sure to remove protective plastic film prior to installing each fascia section.



7. Fascia Covers

Position 12' fascia covers on top of anchor bar and overlap preceding cover approximately 1" at notches provided. Fascia covers shall be installed from right to left as seen from rooftop. With fascia covers in correct position atop anchor bar, simply snap each section onto anchor bar by applying downward pressure with palm of the hand until the fascia cover is fully engaged along the entire length. Continue to install fascia covers, field cutting where necessary using a fine tooth hacksaw.

