

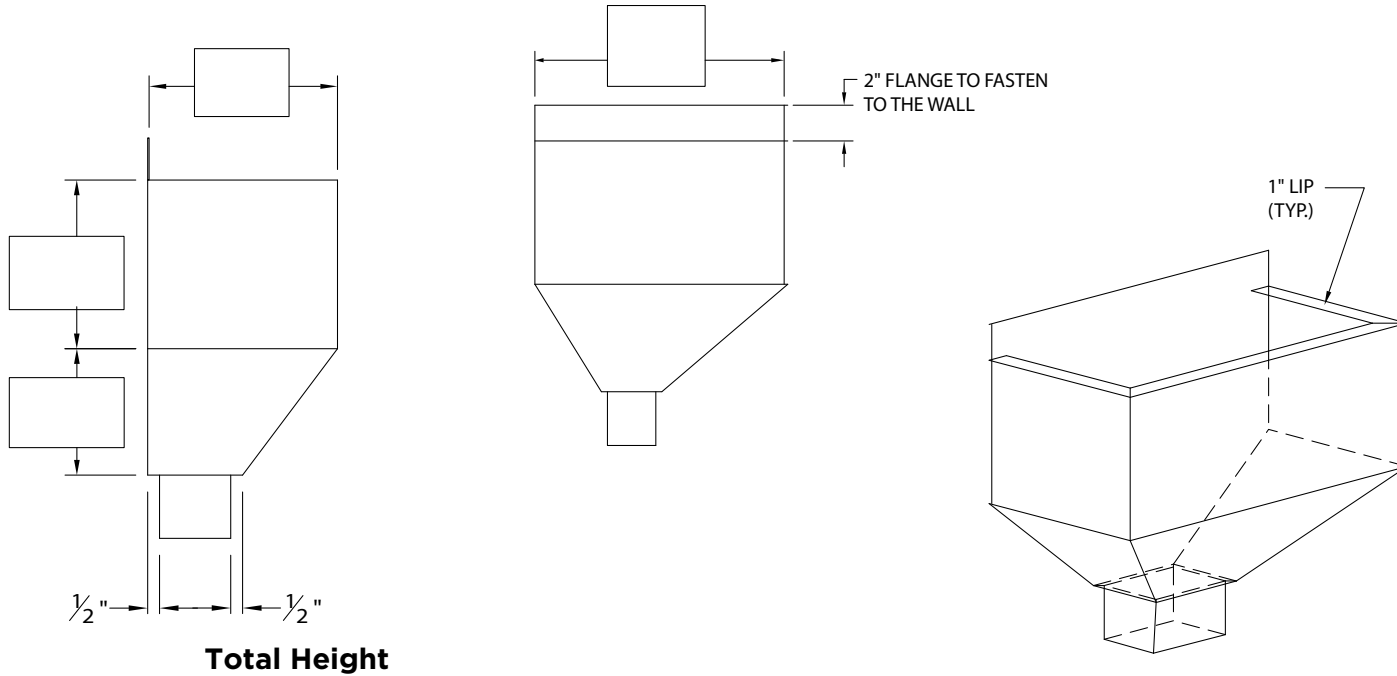


# COLLECTOR BOX

## STYLE 2- WELDED

### NOTES

- Product should be installed per provided installation instructions



### PROJECT INFO

Project Name: \_\_\_\_\_

Architect: \_\_\_\_\_

Roofing Contractor: \_\_\_\_\_

#### Project Type:

By selecting this box you have verified and confirmed that dimensions, sizes, and quantities are correct. All products will be installed in strict accordance with printed instructions.

Date: \_\_\_\_\_

**Carlisle SynTec Systems**  
Customer Service  
866-458-3537  
(Metal-Era)

SHT# 1 of 1

DATE: 12/18/23

DRN BY: JJC

CKD BY: MM

DWG #: 15018-12077

REV: C

### DIMENSIONS

PLEASE FILL OUT DIMENSIONS ON DRAWING

### MATERIAL

.063" Aluminum

Color: \_\_\_\_\_

Finish: \_\_\_\_\_

### QUANTITIES

\_\_\_\_\_ Amount Required

Downspout Size \_\_\_\_\_ x \_\_\_\_\_

(Quantities Over 15 Require Extended Lead Time Due to Post Coating Process)