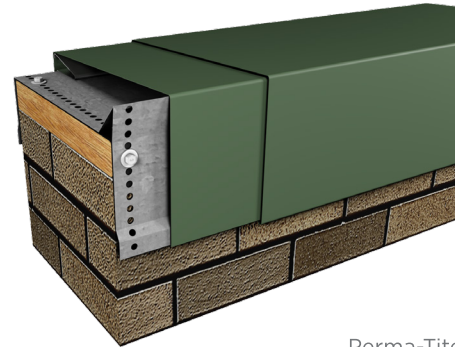


## PROVEN PROTECTION & A PERFECT FIT

With a clean, innovative design, Perma-Tite® Gold Coping is rigorously tested to provide maximum protection against extreme wind uplift. It is available in many versions, making it a versatile solution for a variety of roof conditions.

Backed by a lifetime, 215 MPH wind warranty, Perma-Tite Gold Coping has a full snap-on design and included accessories which make it easy to install, reduce the number of steps, lower labor costs, and streamline operations.



Perma-Tite  
Gold Coping  
(Tapered)

### VERSIONS

- Tapered
- Over 6" to 12" Face Height, Tapered Version
- Larger than 16" Wall Size, Over 6" to 12" Face Height, Tapered Version
- Larger than 16" Wall Size, Tapered Version

### STANDARD COVER MATERIALS

- 24 ga. Steel
- 22 ga. Steel
- .040" Aluminum
- .050" Aluminum
- .063" Aluminum

## PERMA-TITE GOLD COPING AT-A-GLANCE

**215 MPH Lifetime Wind Warranty**

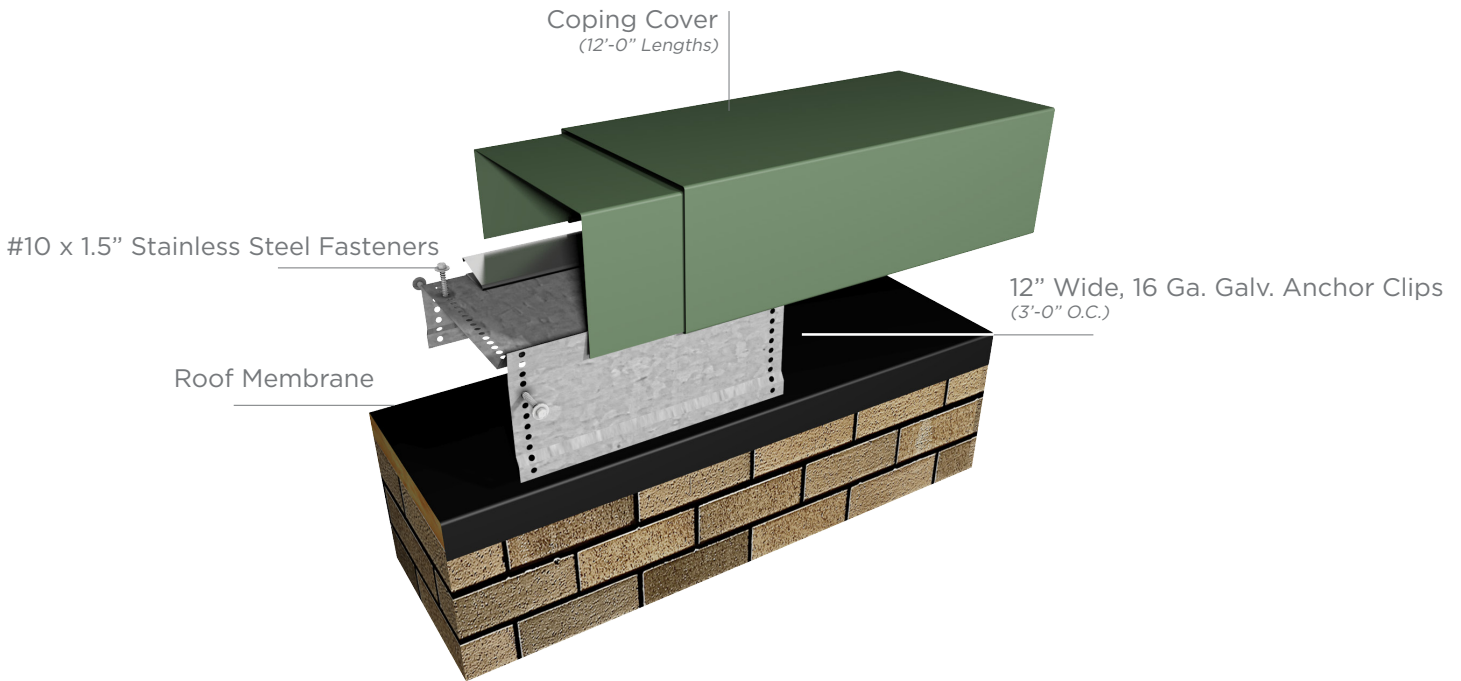
**ANSI/SPRI/FM 4435/ES-1 Tested**

**FM Approved for Wind Uplift Protection**

**Miami-Dade County Approved**

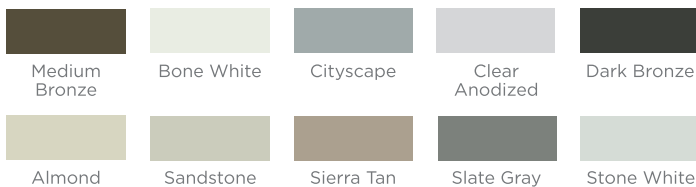
**Variety of Colors, Sizes & Materials**

**Easy Install = Decreased Labor Costs**



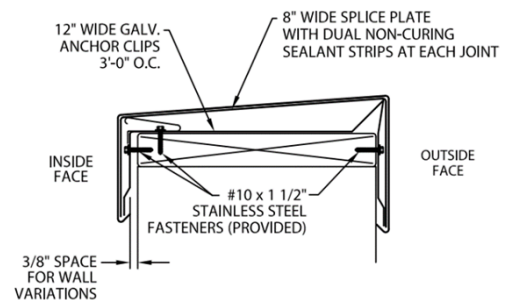
## 10 EXPRESS COLORS FOR QUICK SHIPPING

Express, standard, and premium colors and finishes are available to meet your job requirements and includes a 30-year Kynar 500® finish warranty on coil-coated standard colors. Custom colors are also available. For the most accurate color representation, contact us to request a paint chip.



All colors are also available in Mill Finish.

## EASY, EFFICIENT INSTALLATION



Typical Installation  
(Tapered Version)

- Simple, snap-on design with no crimping
- Provided in 12'-0" lengths for quicker installation and lower labor costs
- Prefabricated miters and accessories to prevent need for field fabrication
- Pre-punched slotted fastening holes to ensure proper attachment and thermal movement
- Corrosion resistant, stainless steel springs attached to anchor clips provide long-term, positive spring loading