



# ELEVATE ANCHORGARD® SP EXTENDED RADIUS FASCIA

FULLY ADHERED OR MECHANICALLY ATTACHED SINGLE-PLY VERSION

**IMPORTANT!!!** MUST INDICATE PROPER RADIUS CONDITION BY CIRCLING APPROPRIATE OUTSIDE FACE

**PROVIDING A RADIUS**

THE RADIUS MAY BE PROVIDED IN ONE OF TWO METHODS:

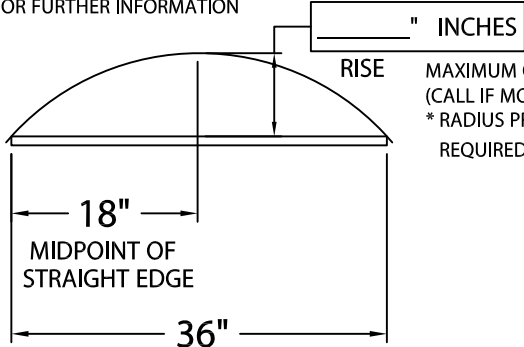
1.) THE ACTUAL KNOWN RADIUS IS

\_\_\_\_\_ ' FEET \_\_\_\_\_ " INCHES

OR

2.) FIELD CONDITION MEASUREMENTS

NOTE: REFER TO ATTACHED WORKSHEET FOR FURTHER INFORMATION

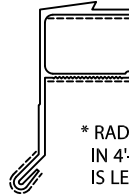


MINIMUM OF 4'-6" (CALL IF LESS)  
\* RADIUS PRODUCT NOT REQUIRED IF OVER 150'-0"

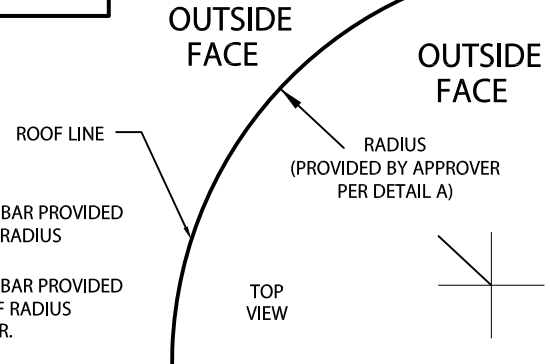
MAXIMUM OF 3<sup>3</sup>/<sub>32</sub>" (CALL IF MORE)  
\* RADIUS PRODUCT NOT REQUIRED IF UNDER 3<sup>3</sup>/<sub>32</sub>"

NOTE: CHECK MEASUREMENTS ALONG ENTIRE RADIUS.

DETAIL A



\* RADIUS EXTRUDED BAR PROVIDED IN 4'-0" LENGTHS IF RADIUS IS LESS THAN 48'-0".  
\* RADIUS EXTRUDED BAR PROVIDED IN 12'-0" LENGTHS IF RADIUS IS 48'-0" OR GREATER.



----- INDICATES AREAS THAT WILL BE SLIT AS NEEDED TO ACCOMODATE RADIUS

\* RADIUS FASCIA PROVIDED IN 4'-0" LENGTHS IF RADIUS IS LESS THAN 48'-0".  
\* RADIUS FASCIA PROVIDED IN 12'-0" LENGTHS IF RADIUS IS 48'-0" OR GREATER.

\* RADIUS CLEAT PROVIDED IN 4'-0" LENGTHS IF RADIUS IS LESS THAN 48'-0".  
\* RADIUS CLEAT PROVIDED IN 12'-0" LENGTHS IF RADIUS IS 48'-0" OR GREATER.

**FASCIA DIMENSIONS**

PRODUCT ID. NO.	H DIM	X DIM
<input type="checkbox"/> AEF-85	8 1/2"	7 1/4"
<input type="checkbox"/> AEF-100	10"	8 3/4"
<input type="checkbox"/> AEF-115	11 1/2"	10 1/4"
<input type="checkbox"/> AEF-130	13"	11 3/4"

Fabrication will proceed only after receipt of signed print approval.

## Print Approval:

Architect and/or contractor shall verify all dimensions, sizes and quantities. All products to be installed in strict accordance with Elevate's printed instructions.

Approved by: \_\_\_\_\_

Date: \_\_\_\_\_

**MATERIAL:**

\_\_\_ 22 GA. GALV. STEEL     \_\_\_ .063" ALUMINUM

\_\_\_ .050" ALUMINUM     \_\_\_ OTHER \_\_\_\_\_

COLOR: \_\_\_\_\_ FINISH: \_\_\_\_\_

**QUANTITIES:**

\_\_\_\_\_ LINEAL FEET 12'-0" LENGTHS

PROJECT:

ARCHITECT:

ROOFING CONTRACTOR:

REPRESENTATIVE/DISTRIBUTOR:



ELEVATE  
26 CENTURY BLVD.  
SUITE 205  
NASHVILLE, TN 37214

CONTACT YOUR LOCAL ELEVATE REPRESENTATIVE

DATE: 03/10/23

DRN BY: MLM

CKD BY: MM

SHT.# \_\_\_\_ OF \_\_\_\_

DWG# 13010-1089

J