

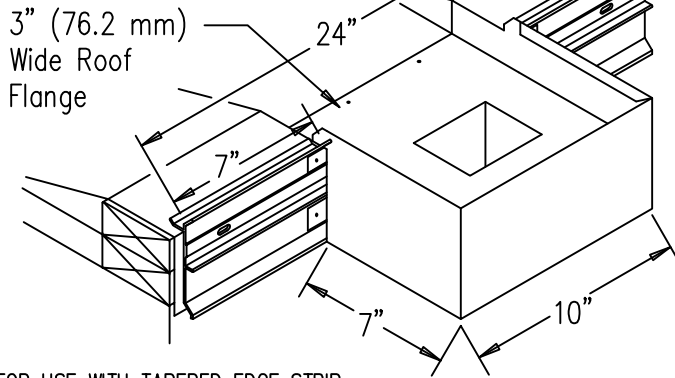
SECUREDGE 2000 SCUPPERS

FOR USE WITH FULLY ADHERED OR MECHANICALLY FASTENED SINGLE-PLY ROOF SYSTEMS

NOTE: TREATED WOOD NAILERS REQUIRED.

SCUPPERS -- FACTORY WELDED CONSTRUCTION

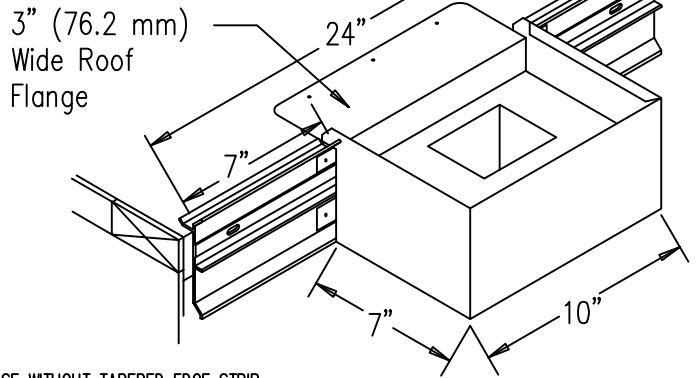
DOWNSPOUT SCUPPER TYPE DSA (TAPERED)



FOR USE WITH TAPERED EDGE STRIP.
FLANGE LOWERED 1-1/2" (38.1 mm).

NOTE: SPECIFY TUBE SIZE

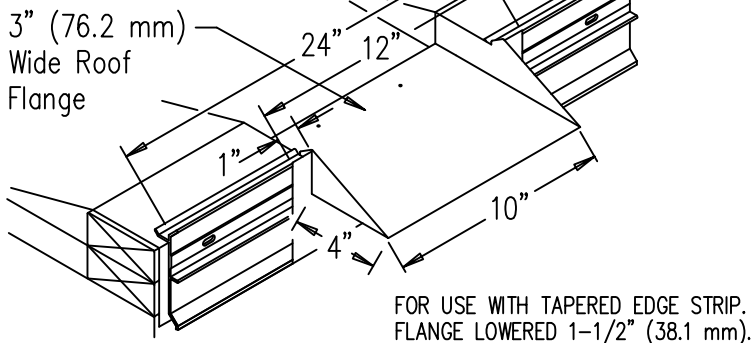
DOWNSPOUT SCUPPER TYPE DSB (FLAT)



FOR USE WITHOUT TAPERED EDGE STRIP.
FLANGE FLUSH MOUNTED WITH ROOF.

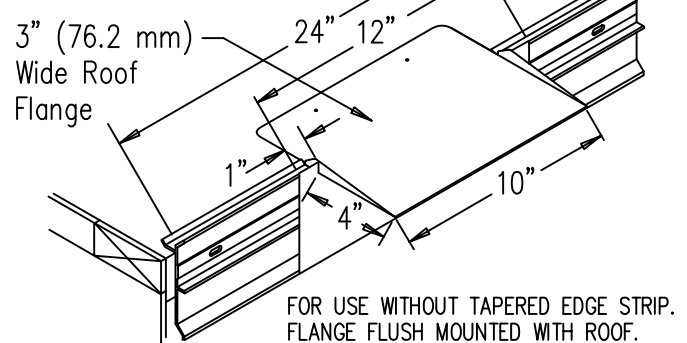
NOTE: SPECIFY TUBE SIZE

SPILOUT SCUPPER TYPE SSA (TAPERED)



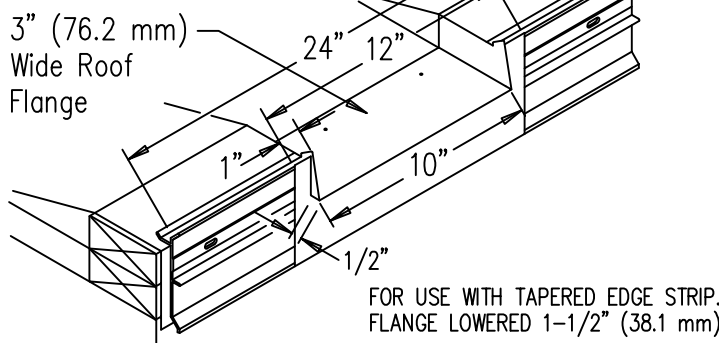
FOR USE WITH TAPERED EDGE STRIP.
FLANGE LOWERED 1-1/2" (38.1 mm).

SPILOUT SCUPPER TYPE SSB (FLAT)



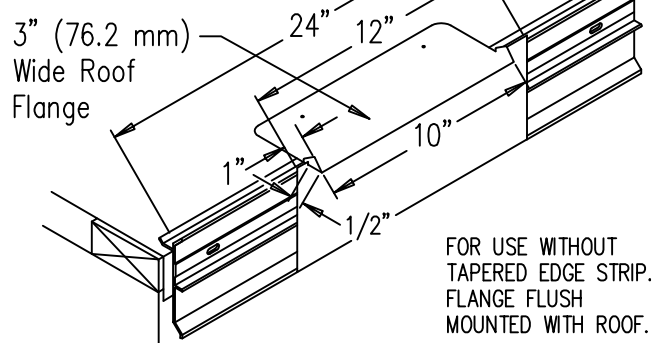
FOR USE WITHOUT TAPERED EDGE STRIP.
FLANGE FLUSH MOUNTED WITH ROOF.

OVERFLOW SCUPPER TYPE OSA (TAPERED)



FOR USE WITH TAPERED EDGE STRIP.
FLANGE LOWERED 1-1/2" (38.1 mm)

OVERFLOW SCUPPER TYPE OSB (FLAT)



FOR USE WITHOUT
TAPERED EDGE STRIP.
FLANGE FLUSH
MOUNTED WITH ROOF.

PROJECT

ARCHITECT

ROOFING CONTRACTOR

REPRESENTATIVE/DISTRIBUTOR

Customer Service
888-666-4369
(Metal-Era)

CARLISLE
Carlisle SynTec Incorporated

DATE: 09/28/05

DRN BY: JJC

CKD BY: SAK

SHT.# ___ OF ___

DWG# 15510-1627

B