

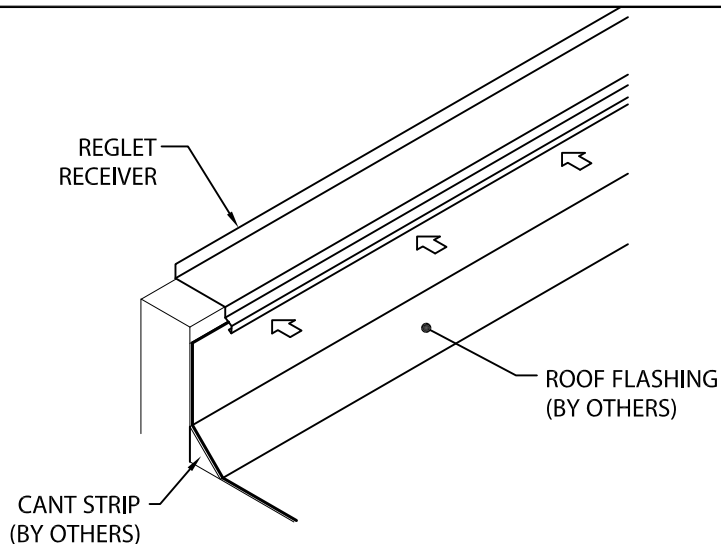
2 PC COUNTERFLASHING

THRU-WALL VERSION

INSTALLATION INSTRUCTIONS

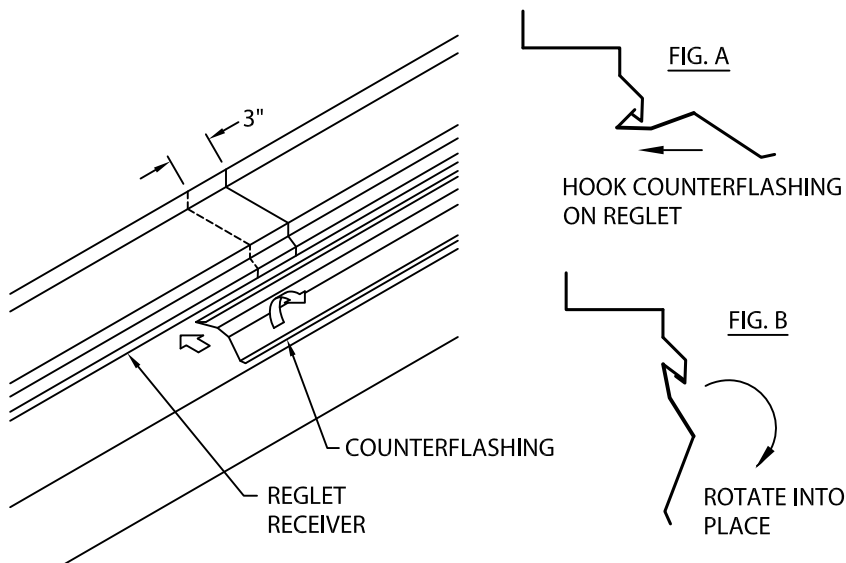
STEP 1 - REGLET RECEIVER

INSTALL REGLET RECEIVER ONTO WALL A MINIMUM OF 7" ABOVE THE HIGH POINT OF THE CANT STRIP (IF USED). INSTALL FROM RIGHT TO LEFT. LAP ENDS OF REGLET 3" AT FACTORY NOTCHED END. NOTE: REMOVE PROTECTIVE FILM IMMEDIATELY.



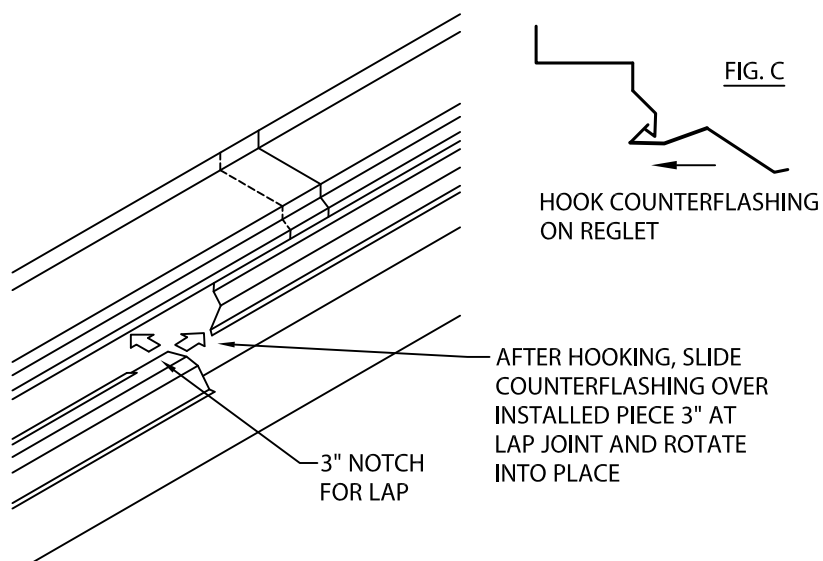
STEP 2 - COUNTERFLASHING

PRIOR TO INSTALLING COUNTERFLASHING, REMOVE PROTECTIVE FILM. HOOK COUNTERFLASHING ONTO RECEIVER AS SHOWN IN FIG. A. ROTATE DOWNWARD INTO PLACE (FIG. B). STAGGER REGLET RECEIVER AND COUNTERFLASHING JOINTS ACCORDINGLY.



STEP 3 - COUNTERFLASHING

REMOVE PROTECTIVE FILM. HOOK COUNTERFLASHING ONTO RECEIVER AS SHOWN IN FIG. C. SLIDE COUNTERFLASHING 3" AT LAP JOINT OVER PREVIOUSLY INSTALLED PIECE. ROTATE DOWNWARD INTO PLACE AS SHOWN IN STEP 2.



Phone: 800-558-2162
 Fax: 800-373-9156
 www.metalera.com/genflex

DATE: 03/11/21
 DRN BY: JJC
 CKD BY: MM

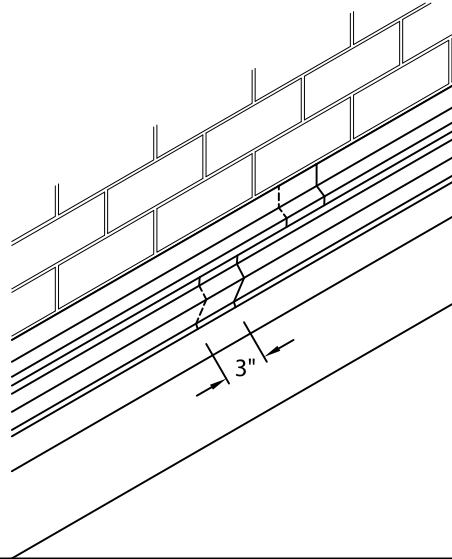
SHT.# 1 OF 2
 DWG# 22115-24531

C

2 PC COUNTERFLASHING

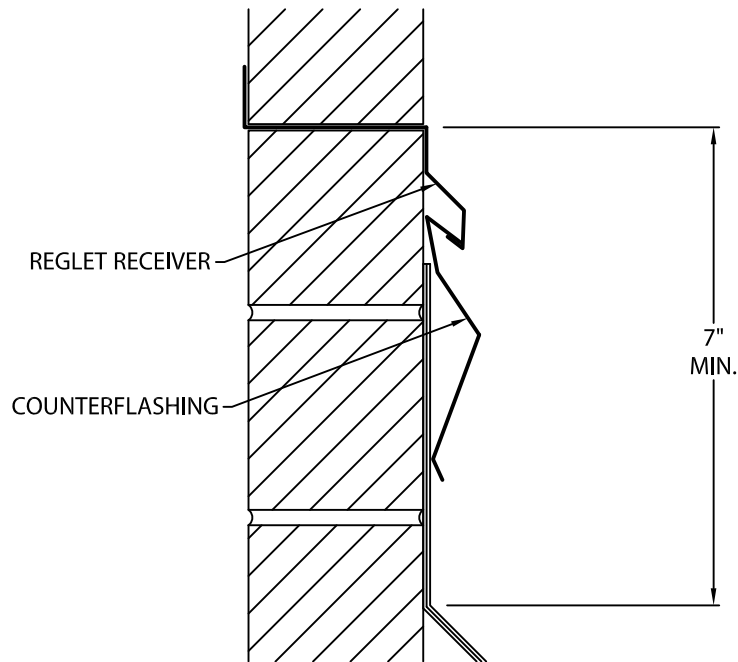
THRU-WALL VERSION

INSTALLATION INSTRUCTIONS



STEP 4 - COMPLETION
PLACE BRICK ATOP OF REGLET RECEIVER
TO COMPLETE INSTALLATION.

TYPICAL INSTALLATION



Phone: 800-558-2162
Fax: 800-373-9156
www.metalera.com/genflex

DATE: 03/11/21
DRN BY: JJC
CKD BY: MM

SHT.# 2 OF 2
DWG# 22115-24531

C