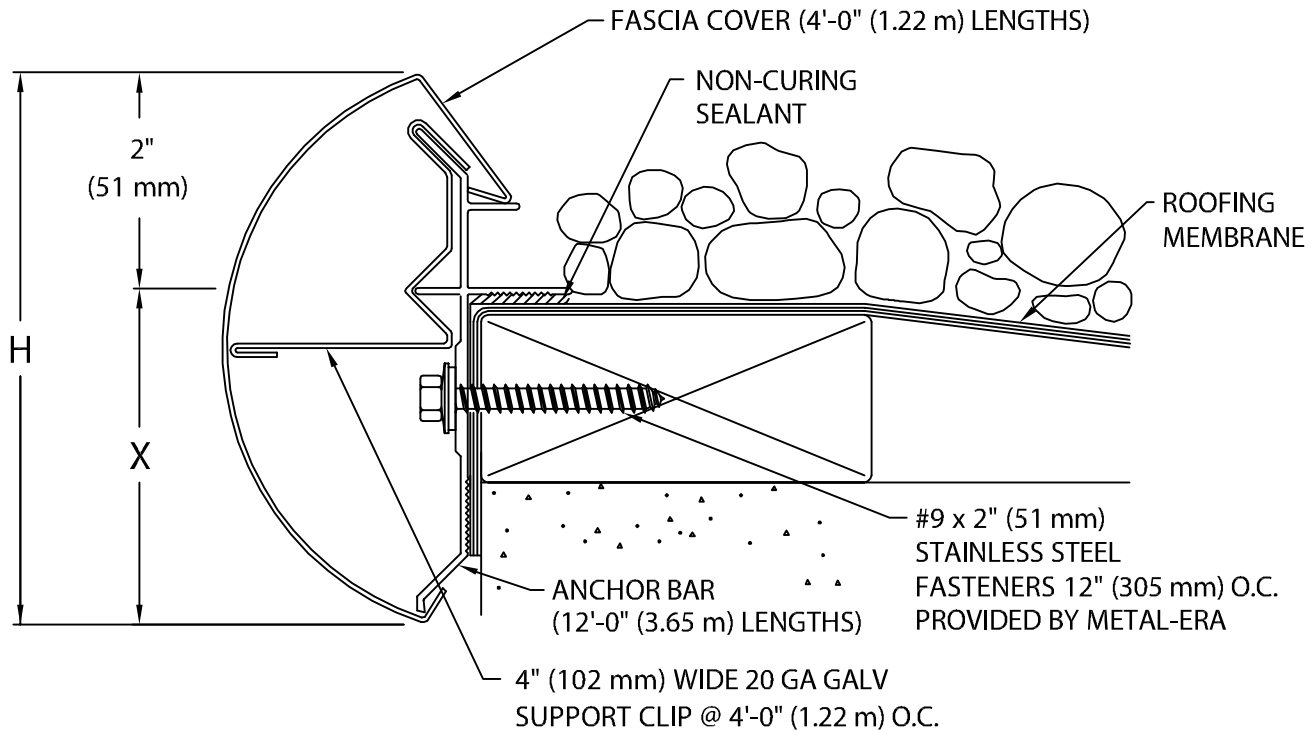




DESIGNER BULLNOSE FASCIA

STONE BALLAST SINGLE-PLY VERSION

ANSI/SPRI ES-1 DESIGN PRESSURE OF 290 psf



Fascia is to be installed per Specifications and Metal-Era's Installation Instructions Dwg. #11110-1380.

DESIGNER BULLNOSE FASCIA DIMENSIONS

PRODUCT ID. NO.	H DIM	X DIM	NAILER COVERAGE
<input type="checkbox"/> BAFB-50	5" (127 mm)	3" (76 mm)	1 NAILER
<input type="checkbox"/> BAFB-65	6 1/2" (165 mm)	4 1/2" (114 mm)	2 NAILERS
<input type="checkbox"/> BAFB-80	8" (191 mm)	6" (152 mm)	3 NAILERS

Fabrication will proceed only after receipt of signed print approval.

Print Approval:

Architect and/or contractor shall verify all dimensions, sizes and quantities. All products to be installed in strict accordance with Metal-Era's printed instructions.

Approved by: _____

Date: _____

MATERIAL:

___ 22 Ga. (.85 mm) Galv. Steel

___ .040" (1.01 mm) Aluminum

Color: _____

Finish: _____

QUANTITIES:

_____ Lineal Feet *12'-0" (3.65 m) Lengths

*Cover Supplied in 4'-0" (1.22 m) Lengths

_____ Outside Miters @ (_____)°

_____ Inside Miters @ (_____)°

_____ Right Endcaps

_____ Left Endcaps

PROJECT:

ARCHITECT:

ROOFING CONTRACTOR:

REPRESENTATIVE/DISTRIBUTOR:

Corporate Offices, Manufacturing
1600 Airport Road; Waukesha, WI 53188
Phone: 800-558-2162
Fax: 800-373-9156
www.metalera.com



DATE: 02/26/13

DRN BY: JJC

CKD BY: SAK

SHT.# ___ OF ___

DWG# 11010-1379

G