

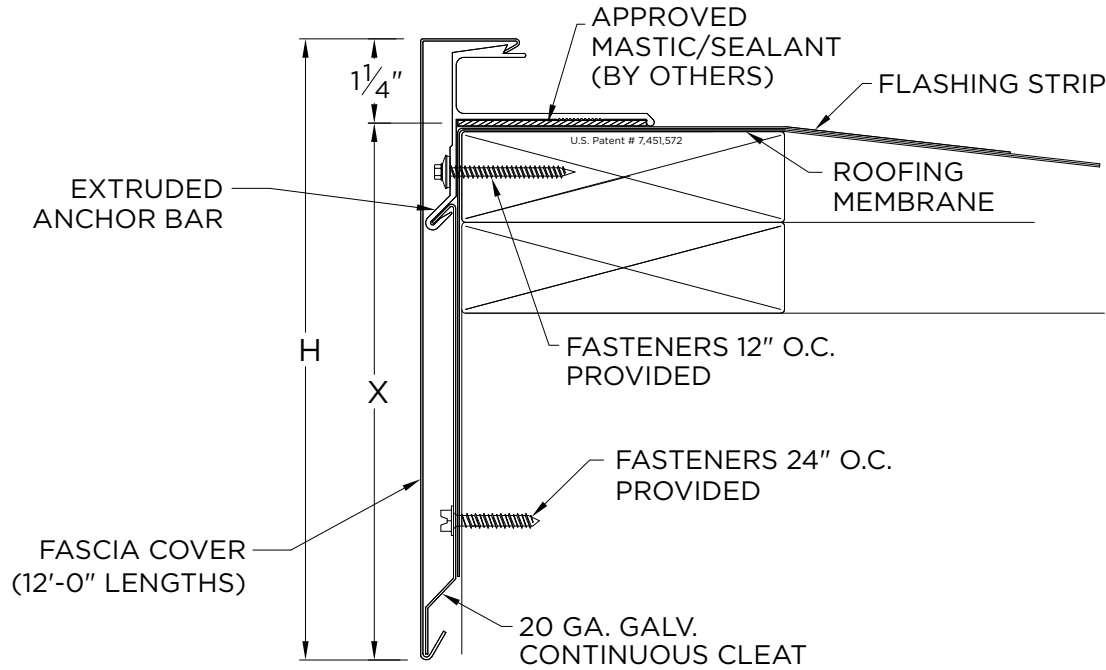


ELEVATE ANCHORGARD® MB EXTENDED FASCIA

BUILT-UP OR MODIFIED VERSION

NOTES

- Fascia cover provided with splice plates
- For non-90 miters, see separate print approval
- Product should be installed per provided installation instructions
- ANSI/SPRI/FM 4435/ES-1 Test Pressure up to 176 psf



APPROVALS



ANSI/SPRI/FM 4435/ES-1
Test Pressures listed in notes

PROJECT INFO

Project Name: _____

Architect: _____

Roofing Contractor: _____

Project Type:

By selecting this box you have verified and confirmed that dimensions, sizes, and quantities are correct. All products will be installed in strict accordance with printed instructions.

Date: _____

Elevate
26 Century Blvd.
Suite 205
Nashville, TN 37214
Contact your local
Elevate representative.

SHT# 1 of 1

DATE: 03/20/23

DRN BY: JJC

CKD BY: MM

DWG #: 13010-1084

REV: M

DIMENSIONS

PRODUCT ID. NO.	H DIM	X DIM	NAILER COVERAGE
<input type="checkbox"/> AEFM-85	8 1/2"	7 1/4"	4 NAILERS
<input type="checkbox"/> AEFM-100	10"	8 3/4"	5 NAILERS
<input type="checkbox"/> AEFM-115	11 1/2"	10 1/4"	6 NAILERS
<input type="checkbox"/> AEFM-130	13"	11 3/4"	7 NAILERS

MATERIAL

- 22 Ga. Galv. Steel
- .050" Aluminum
- .063" Aluminum
- OTHER: _____

Color: _____

Finish: _____

Substrate: Wood

Metal
If substrate is not given, wood fasteners will be provided.

QUANTITIES

_____ Lineal Feet (12'-0" Lengths)

_____ Outside Miter (90°)

_____ Inside Miter (90°)

_____ Right Endcaps

_____ Left Endcaps

_____ Right Endwall Flashing

_____ Left Endwall Flashing

_____ Overflow Scupper
Style A Style B

_____ Spillout Scupper
Style A Style B

_____ Downspout Scupper
Style A Style B

Downspout Size _____x_____
Max. Downspout Size is 5" x 6"
Custom print needed for larger sizes.
Style A=Tapered 1.5" Drop | Style B=Flat