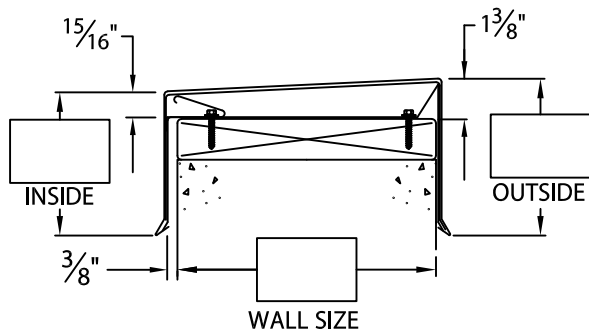
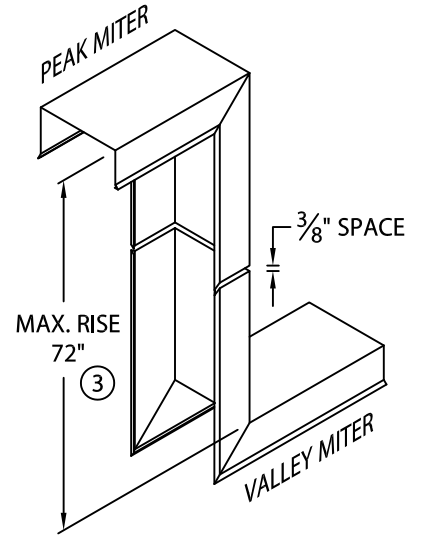
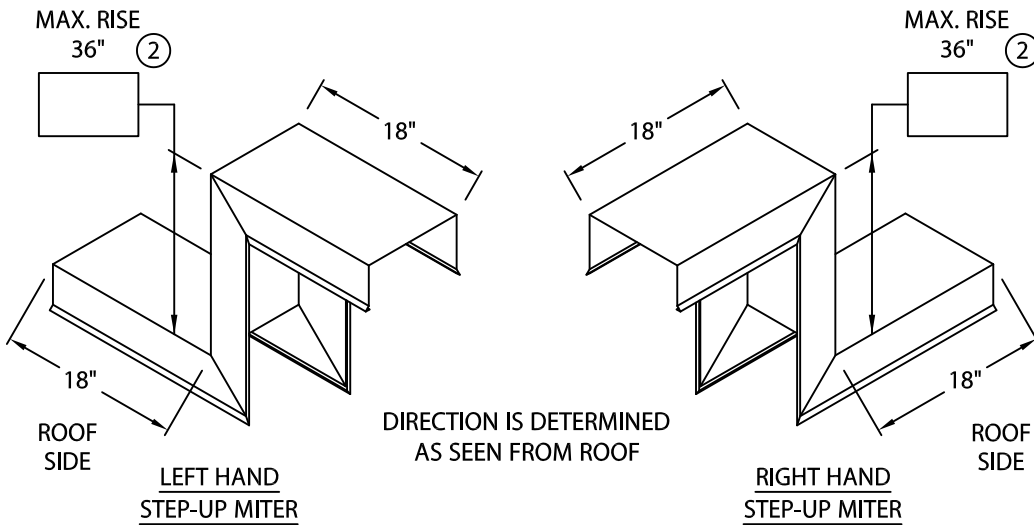


# STEP-UP COPING MITERS



PEAK AND VALLEY MITERS  
(SEE NOTES 2 & 3)



FOR CUSTOM LEG LENGTHS  
MODIFY DRAWINGS ABOVE

**NOTES:**

- ① WELDED ACCESSORIES REQUIRE A MINIMUM MATERIAL THICKNESS OF .050".
- ② IF MAXIMUM RISE DIMENSION IS EXCEEDED, ACCESSORY WILL BE MANUFACTURED AS ONE 90° PEAK MITER AND ONE 90° VALLEY MITER.
- ③ IF RISE EXCEEDS 72", A STRAIGHT LENGTH WILL BE REQUIRED AND THE PEAK AND VALLEY MITERS REVERT BACK TO STANDARD 18" LENGTHS.

**MATERIAL:**

- \_\_\_ 24 GA. GALVANIZED STEEL
- \_\_\_ 22 GA. GALVANIZED STEEL
- \_\_\_ .040" ALUMINUM
- \_\_\_ .050" ALUMINUM
- \_\_\_ .063" ALUMINUM
- \_\_\_ OTHER \_\_\_\_\_

COLOR: \_\_\_\_\_

FINISH: \_\_\_\_\_

**QUANTITIES:**

\_\_\_ RIGHT HAND STEP-UP MITER

\_\_\_ LEFT HAND STEP-UP MITER

SPECIFY ACCESSORY TYPE:

- WELDED ①
- QUICKLOCK

AUTHORIZED SIGNATURE: \_\_\_\_\_

APPROVED BY: \_\_\_\_\_

DATE: \_\_\_\_\_

PROJECT: \_\_\_\_\_

ARCHITECT: \_\_\_\_\_

ROOFING CONTRACTOR: \_\_\_\_\_

REPRESENTATIVE/DISTRIBUTOR: \_\_\_\_\_

CUSTOMER SERVICE  
PHONE 800-969-0108  
FAX 610-916-9501

DATE: 9/27/21

DRN BY: MLM

CKD BY: MM

SHT.# \_\_\_ OF \_\_\_

DWG# 28011-11382

E

