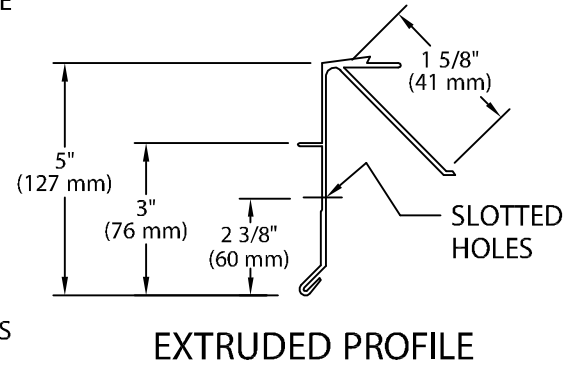
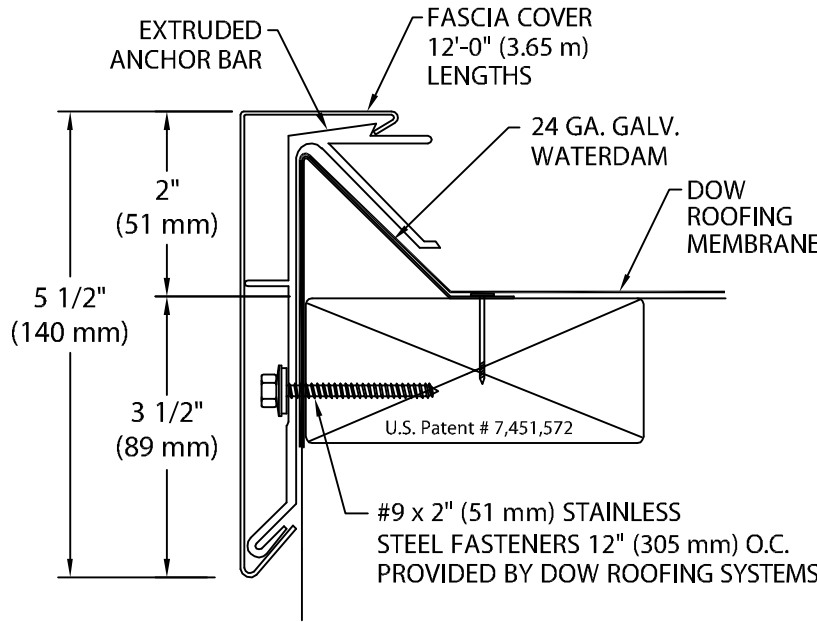


DOW CANTED FASCIA

GALVANIZED WATERDAM VERSION

ANSI/SPRI ES-1 DESIGN PRESSURE OF 190 psf



NOTE: 3 1/2" (89 mm) SPLICE PLATES PROVIDED AT ALL JOINTS

Fascia is to be installed per Specifications and Dow Roofing Systems' Installation Instructions Dwg. # 12110-2947

DOW CANTED FASCIA DIMENSIONS

NOA NO. 08-0604.02
MIAMI-DADE COUNTY, FLORIDA
12/11/13

PRODUCT ID. NO.	H DIM	X DIM
<input type="checkbox"/> AEFC-S552	5 1/2" (140 mm)	3 1/2" (89 mm)

Fabrication will proceed only after receipt of signed print approval.

Print Approval:

Architect and/or contractor shall verify all dimensions, sizes and quantities. All products to be installed in strict accordance with Dow Roofing Systems' printed instructions.

Approved by: _____

Date: _____

Unless otherwise specified 24 ga. galv. waterdam provided.

by Dow Roofing Systems by Contractor

MATERIAL:

____ .050" (1.27 mm) Aluminum

____ .063" (1.60 mm) Aluminum

____ OTHER _____

Color: _____

Finish: _____

QUANTITIES:

_____ Lineal Feet (12'-0" (3.65 m) Lengths)

_____ Outside Miters @ (____°)

_____ Inside Miters @ (____°)

_____ Overflow Scupper Style ____A____B

_____ Spillout Scupper Style ____A____B

_____ Downspout Scupper Style ____A____B

(____X____) Size A: Tapered 1 1/2" (38 mm) Drop
B: Flat

PROJECT:

ARCHITECT:

ROOFING CONTRACTOR:

REPRESENTATIVE/DISTRIBUTOR:

Corporate Offices
Dow Roofing Systems
Nine Sullivan Road
Holyoke, MA 01040
P: 800-621-ROOF



ROOFING SYSTEMS

DATE: 03/02/12

DRN BY: JJC

CKD BY: SAK

SHT.# ____ OF ____

DWG# 12010-2946

H