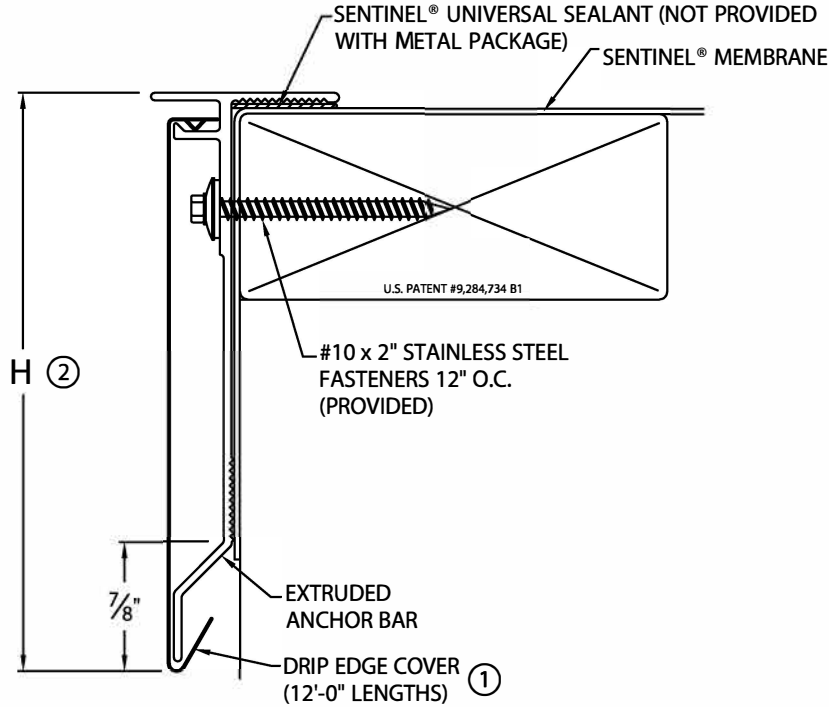




DERBI-TITE SENTINEL® DRIP EDGE

ANSI/SPRI ES-1 TESTED



NOTES:

- ① FASCIA COVER PROVIDED WITH 1" LAP JOINTS.
- ② TYPICALLY COVERAGE SHOULD EXTEND A MIN. OF 1½" BELOW WOOD BLOCKING IF APPLICABLE

DERBI-TITE SENTINEL® DRIP EDGE DIMENSIONS

PRODUCT ID. NO.	H DIM
<input type="checkbox"/> AFDE-30	3"
<input type="checkbox"/> AFDE-45	4½"
<input type="checkbox"/> AFDE-60	6"
<input type="checkbox"/> AFDE-75	7½"

Fabrication will proceed only after receipt of signed print approval.

Print Approval:

Architect and/or contractor shall verify all dimensions, sizes and quantities. All products to be installed in strict accordance with DERBIGUM's printed instructions.

Approved by: _____
Date: _____

MATERIAL:

___ 24 GA. GALVANIZED STEEL
___ .040" ALUMINUM
___ OTHER _____

COLOR: _____

FINISH: _____

QUANTITIES:

_____ LINEAL FEET 12'-0" LENGTHS
_____ OUTSIDE MITER(S) @ 90°
_____ INSIDE MITER(S) @ 90°

FOR NON-90 MITERS ASK FOR SPECIFIC PRINT APPROVAL

PROJECT: _____
ARCHITECT: _____
ROOFING CONTRACTOR: _____
REPRESENTATIVE/DISTRIBUTOR: _____

Customer Service
1-800-727-9872



DATE: 04/22/21

DRN BY: JJC

CKD BY: MM

SHT.# ___ OF ___

DWG#20010-25922

D