

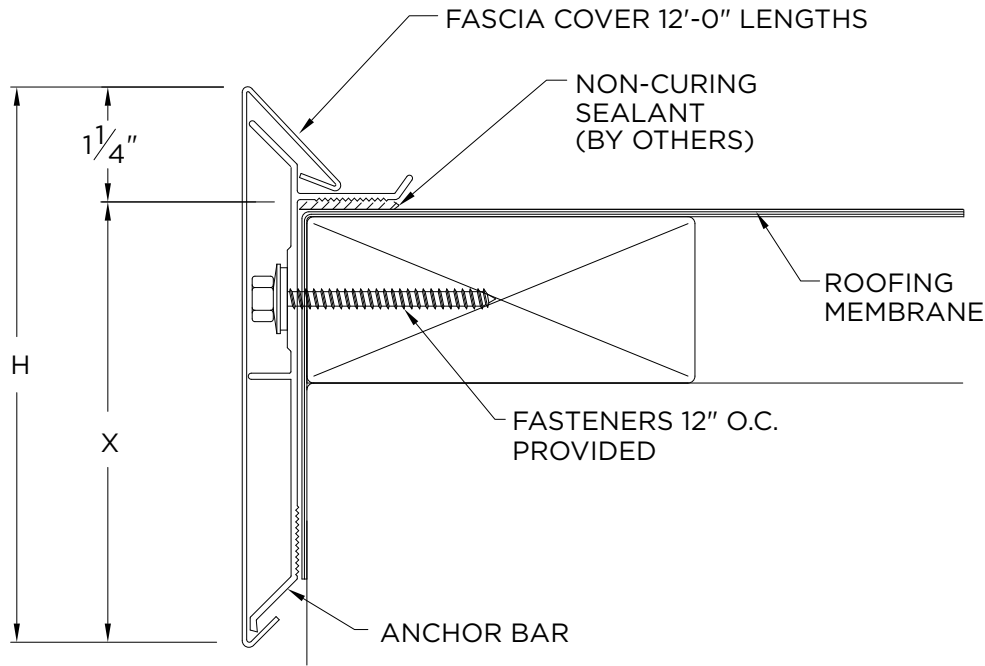


# ELEVATE ANCHORGARD® SP FASCIA

FULLY ADHERED OR MECHANICALLY ATTACHED SINGLE-PLY VERSION

## NOTES

- Fascia includes notch for lap at all joints
- For non-90 miters, see separate print approval
- Product should be installed per provided installation instructions
- ANSI/SPRI/FM 4435/ES-1 Test Pressure up to 275 psf.



## APPROVALS



**ANSI/SPRI/FM 4435/ES-1**  
Test Pressures listed in notes

## PROJECT INFO

Project Name: \_\_\_\_\_

Architect: \_\_\_\_\_

Roofing Contractor: \_\_\_\_\_

### Project Type:

By selecting this box you have verified and confirmed that dimensions, sizes, and quantities are correct. All products will be installed in strict accordance with printed instructions.

Date: \_\_\_\_\_

### Elevate

26 Century Blvd.  
Suite 205  
Nashville, TN 37214  
Contact your local  
Elevate representative.

SHT# 1 of 1

DATE: 03/20/23

DRN BY: JJC

CKD BY: MM

DWG #: 13010-21051

REV: G

## DIMENSIONS

PRODUCT ID. NO.	H DIM	X DIM	NAILER COVERAGE
<input type="checkbox"/> AF-40	4"	2 3/4"	1 NAILER
<input type="checkbox"/> AF-55	5 1/2"	4 1/4"	2 NAILERS
<input type="checkbox"/> AF-70	7"	5 3/4"	3 NAILERS
<input type="checkbox"/> AF-85	8 1/2"	7 1/4"	4 NAILERS

## MATERIAL

- 24 Ga. Galv. Steel  
 22 Ga. Galv. Steel  
 .040" Aluminum

Color: \_\_\_\_\_

Finish: \_\_\_\_\_

**Substrate:**  Wood

If substrate is not given, wood fasteners will be provided.  Masonry

Metal

OTHER: \_\_\_\_\_

## QUANTITIES

\_\_\_\_\_ Lineal Feet (12'-0" Lengths)

\_\_\_\_\_ Outside Miter (90°)

\_\_\_\_\_ Inside Miter (90°)

\_\_\_\_\_ Right Endcaps

\_\_\_\_\_ Left Endcaps

\_\_\_\_\_ Right Endwall Flashing

\_\_\_\_\_ Left Endwall Flashing

\_\_\_\_\_ Overflow Scupper  
Style A      Style B

\_\_\_\_\_ Spillout Scupper  
Style A      Style B

\_\_\_\_\_ Downspout Scupper  
Style A      Style B

Downspout Size \_\_\_\_\_x\_\_\_\_\_

Max. Downspout Size is 5" x 6"

Style A=Tapered 1.5" Drop | Style B=Flat