

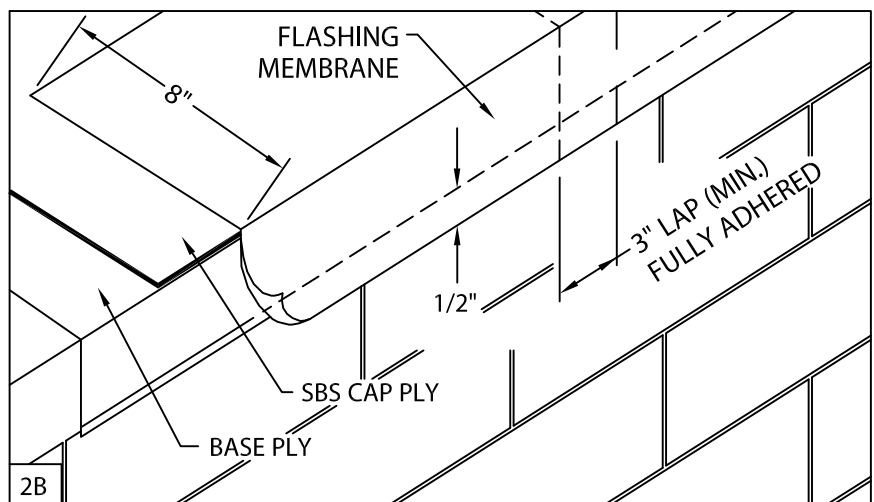
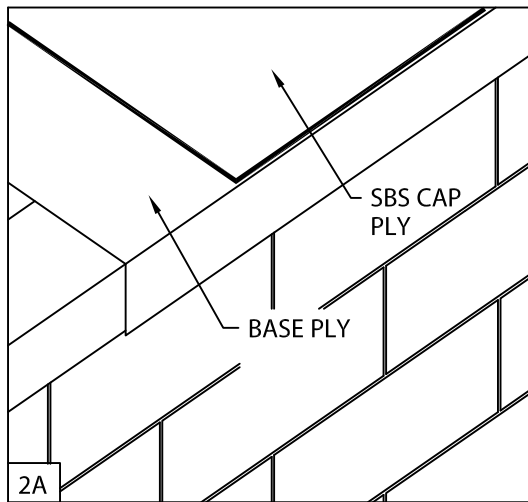
## For Use with Modified Roof Systems

### 1. Roof Membrane

Follow the general recommendations of the roofing membrane manufacturer for membrane treatment at the roof edge. Position modified membrane over the roof edge and down the outside face as shown.

**IMPORTANT!** Outside edge of treated wood nailer(s) (minimum 2 x 4) shall be aligned flush with or extend slightly past outermost edge of wall. Sopra-Tite Modified Fascia is for use as a perimeter securement on roof designs where the product is not installed in a waterline. If the product will be in a waterline or requires drainage over the edge, we would recommend the use of Sopra-Tite Canted Fascia or Sopra-Tite Sentinel Drip Edge, depending on desired retention of water or drainage.

**NOTE: A FULLY ADHERED FLASHING MEMBRANE IS REQUIRED.**



### 2. Roof Edge

Install flashing membrane according to membrane manufacturers recommendations. Install flashing membrane in roll width sheets. Following the applicable flashing method (hot mop, cold adhesive, etc..) according to the manufacturer's recommendations, lay the flashing strip into place extending a minimum 8" onto the roof membrane and down the outside face of wall, 1/2" beyond the wood nailer.

**NOTE:** In cold weather, the back of flashing strip should be treated appropriately and shorter lengths of flashing strips should be used.



# SOPRA-TITE MODIFIED FASCIA

MODIFIED VERSION

## INSTALLATION INSTRUCTIONS

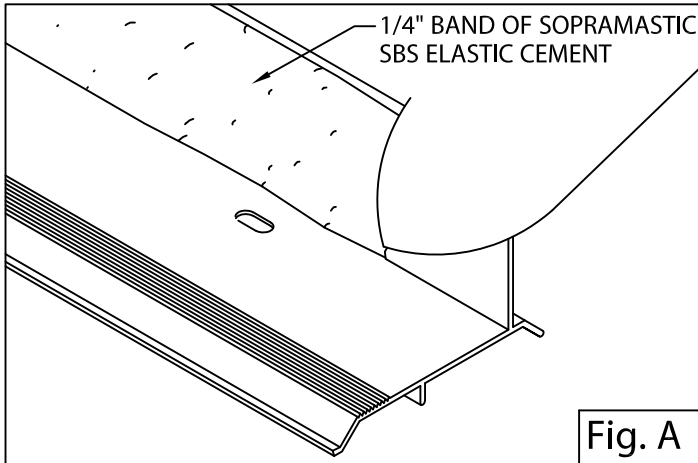


Fig. A

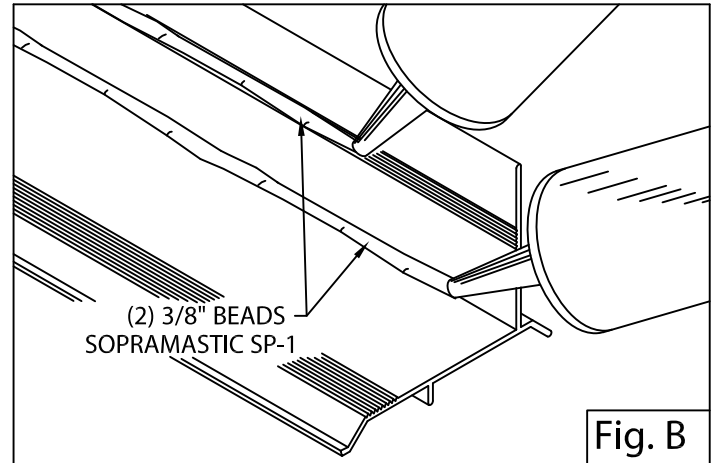
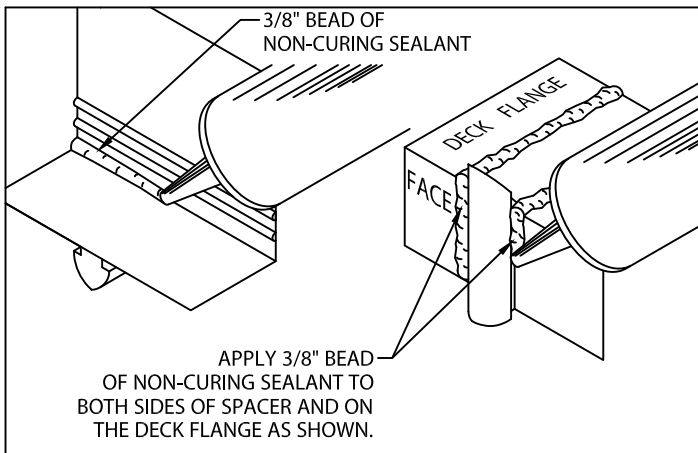


Fig. B

OPTIONAL INSTALL

### 3. Miter & Scupper Anchor Bar (Preparation)

Lay miters and spillout scuppers on deck with outside face down. Be sure aluminum anchor bar is clean and free of dirt or dust. Refer to Fig. A or B, depending on roofing manufacturer's recommendations. For Fig. A, apply a 3" wide 1/4" thick band of SOPRAMASTIC SBS Elastic Cement to the back of the anchor bar as shown. For Fig. B Apply a heavy 3/8" bead of SOPRAMASTIC SP-1 to the back of anchor bar as shown. Application of either type of mastic or sealant is required along the full length of each miter anchor bar.

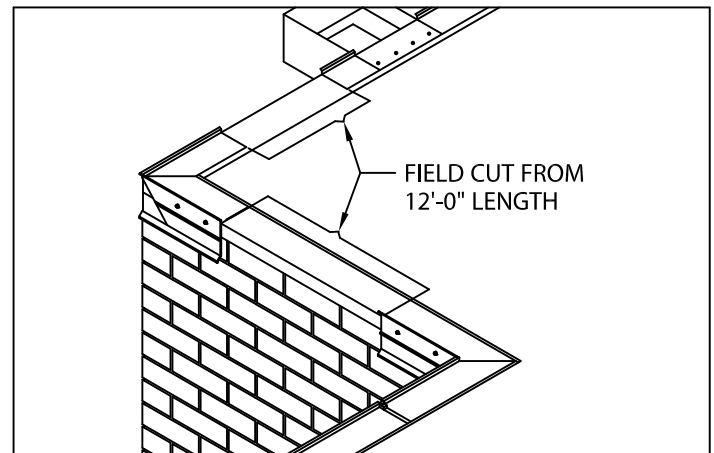


### 4. Anchor Bar Splice Plates

Apply mastic or sealant to each splice plate as shown and as described in STEP 3. Ensure the sealant is placed into the grooves along the spacer.

**CAUTION!** Installers shall wear protective eyewear to prevent injury. Do not over-drive fasteners, as stripping can occur at high driver torque. Recommended driving tool: 600-800 rpm electric drill equipped with depth-sensing nosepiece to prevent over-driving and stripout.

**Do not use impact type tool.**



### 5. Miter Bar Installation

Install miters using 2" stainless steel fasteners and driver bit furnished by SOPREMA. Fasten anchor bar corners to nailer with one splice plate under each end of corner. The anchor bar must insert into the grooves of the splice plate. Next locate and install spillouts and scuppers with mastic or sealant 2" fasteners and anchor bar splice plates.



800-356-3521  
www.soprema.us

310 Quadral Dr.  
Wadsworth, OH 44281  
f: 330-334-6257

DATE: 10/31/19  
DRN BY: ZS  
CKD BY: JAI

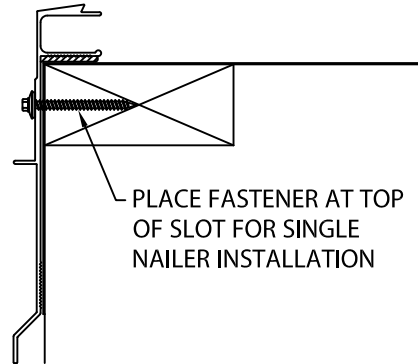
SHT.# 2 OF 4

DWG# 33110-13459

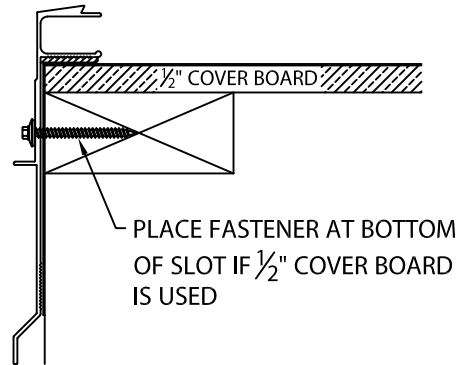
# DIAGONAL SLOT ANCHOR BAR INSTALLATION

NOTE: IF THE SLOTS ON THE ANCHOR BAR ARE ALL HORIZONTAL, NOT DIAGONAL, FASTEN IN THE CENTER OF THE SLOT

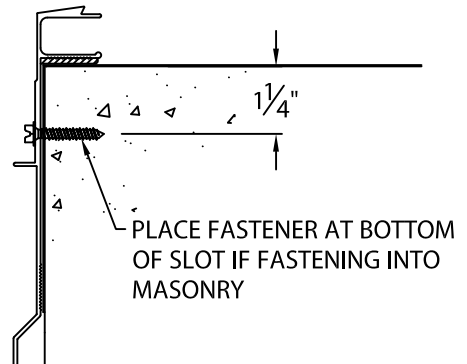
PLACE FASTENER AT TOP OF SLOT FOR SINGLE NAILER INSTALLATION



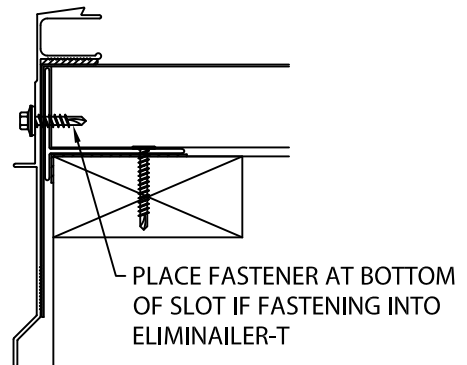
PLACE FASTENER AT BOTTOM OF SLOT IF 1/2" COVER BOARD IS USED



PLACE FASTENER AT BOTTOM OF SLOT IF FASTENING INTO MASONRY



PLACE FASTENER AT BOTTOM OF SLOT IF FASTENING INTO ELIMINAILED-T



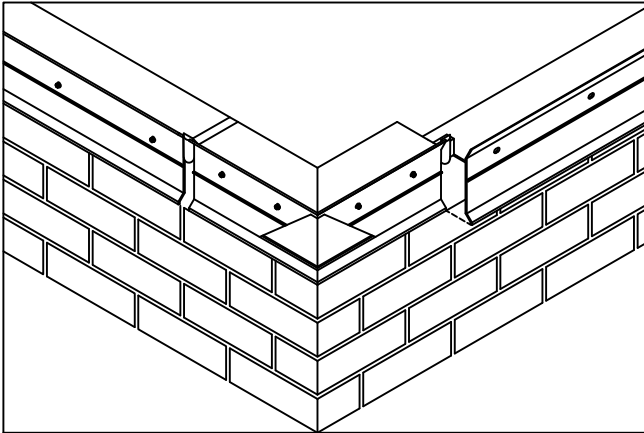


# SOPRA-TITE MODIFIED FASCIA

MODIFIED VERSION

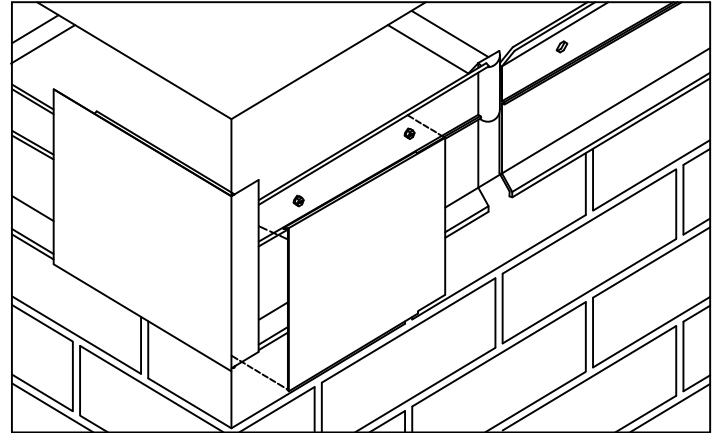
## INSTALLATION INSTRUCTIONS

**IMPORTANT!** Be sure to remove protective plastic film prior to installing each fascia section.



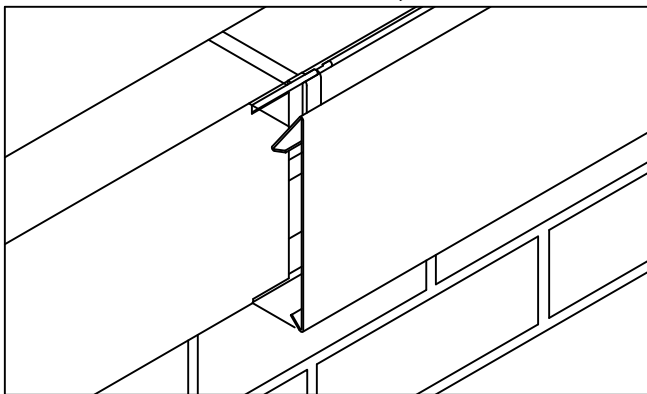
### 6. Anchor Bar (Installation)

Position 12'-0" sections of anchor bar with applied mastic or sealant as shown in steps 3 & 4 overlapping anchor bar splice plate. Allow 3/8" space between anchor bars. Install anchor bar splice plate at other end of 12'-0" bar. Fasten anchor bar 12" O.C. through slots using 2" stainless steel fasteners provided. The anchor bar must insert into the grooves of the splice plate. Field cut sections as necessary.



### 7. Fascia Miter Covers

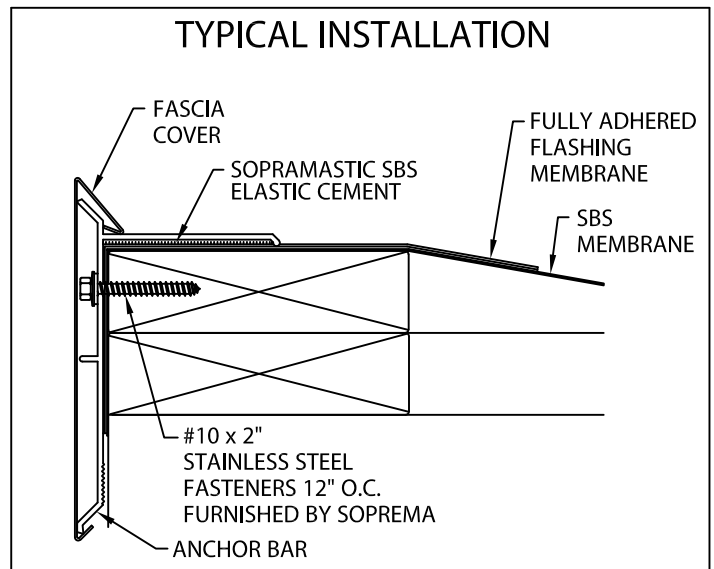
Install 2-piece "snap-on" fascia miter covers first by snapping on fascia corner cover with 90° (degree) tab, followed by fascia miter without the tab. Simply position the cover atop bar and with palm of hand apply slight pressure downward until engaged to anchor bar.



### 8. Fascia Panels

Position 12'-0" fascia panels on top of anchor bar and overlap preceding panel approximately 1" at notches provided. Fascia panels shall be installed from right to left as seen from rooftop. With fascia panels in correct position atop anchor bar, simply snap each section onto anchor bar by applying downward pressure with palm of the hand until the fascia cover is fully engaged along the entire length. Continue to install fascia panels, field cutting where necessary using fine tooth hacksaw.

### TYPICAL INSTALLATION



**IMPORTANT!** Be sure to remove protective film prior to installing each fascia section.

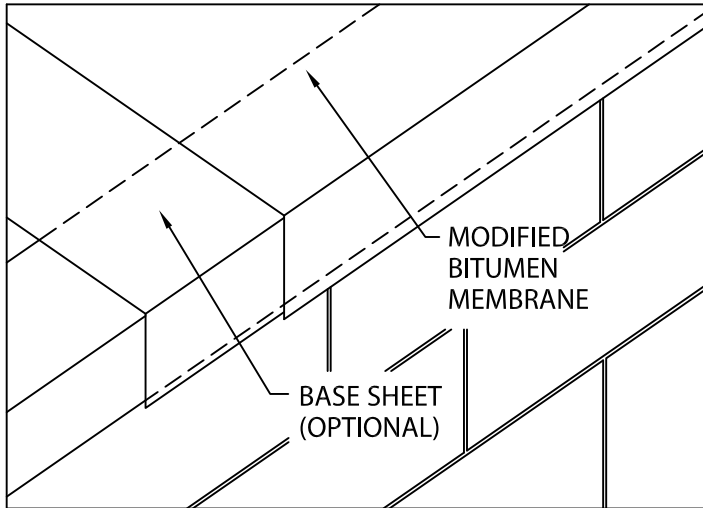


800-356-3521  
www.soprema.us

310 Quadral Dr.  
Wadsworth, OH 44281  
f: 330-334-6257

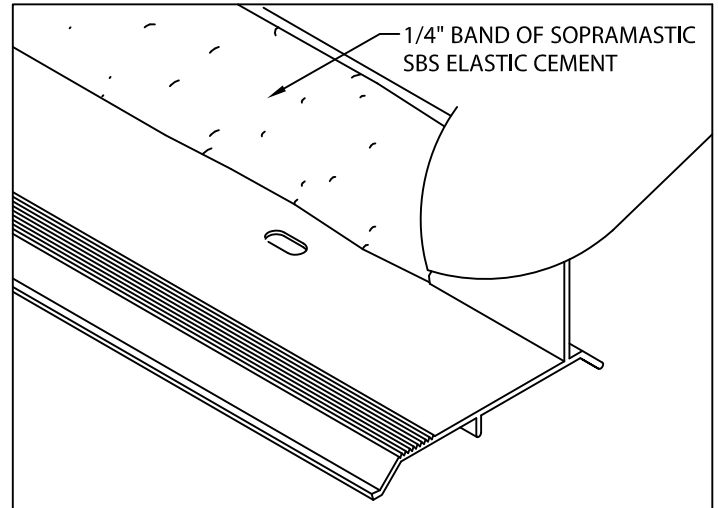
DATE: 10/31/19  
DRN BY: ZS  
CKD BY: JAI

SHT.# 3 OF 4  
DWG# 33110-13459



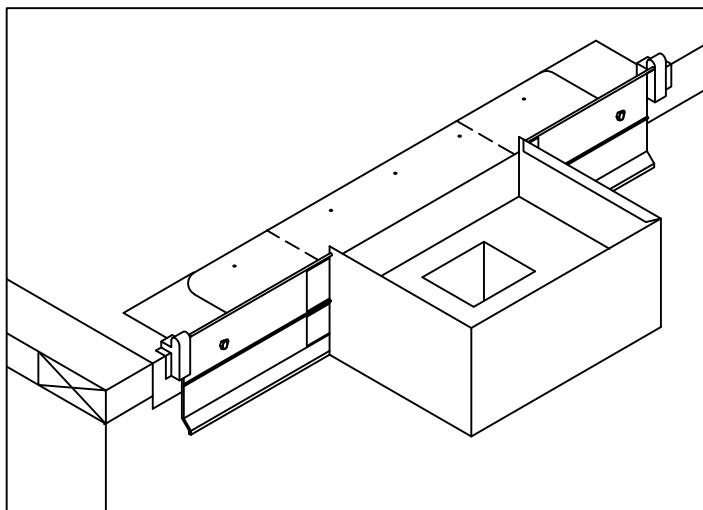
## 1. Roof Membrane

Follow the general recommendations of the roofing membrane manufacturer for membrane treatment at the roof edge. Position modified membrane over the roof edge and down outside face of wall as shown.



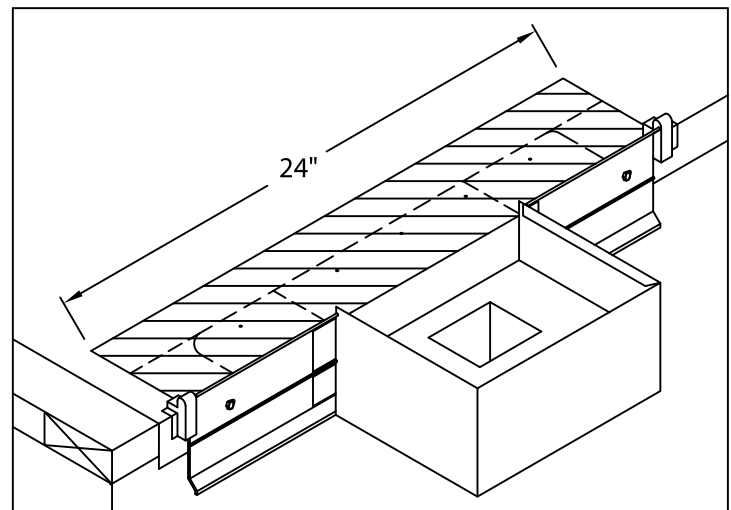
## 2. Scupper Anchor Bar (Preparation)

Lay miters and spillout scuppers on deck with outside face down. Be sure aluminum anchor bar is clean and free of dirt or dust. Apply a 3 1/2" wide 1/4" thick band of SOPRAMASTIC SBS Elastic Cement to the back of the anchor bar as shown. Application of mastic is required along the full length of each miter anchor bar.



## 3. Scupper Installation

Install scuppers using 2" stainless steel fasteners. Fasten the scuppers to nailers with one splice plate under each end of scupper anchor bar. Position adjacent 12'-0" sections of anchor bar into the grooves of the splice plate.



## 4. Flashing Installation

Overlay scupper deck flange with flashing material as specified by membrane manufacturer.