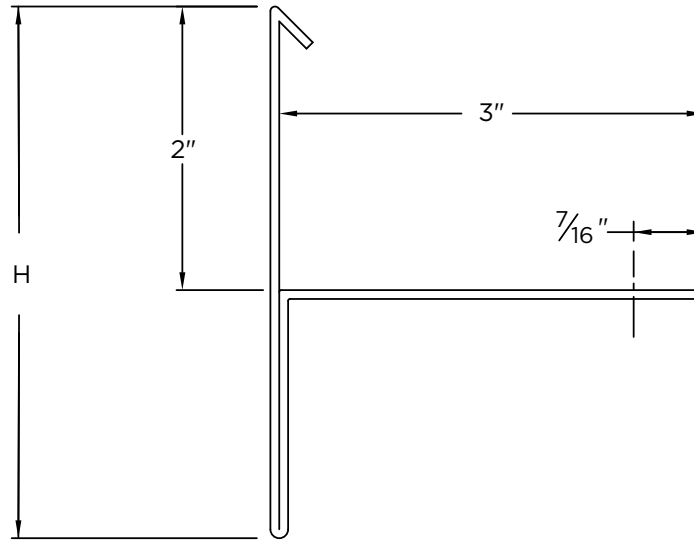
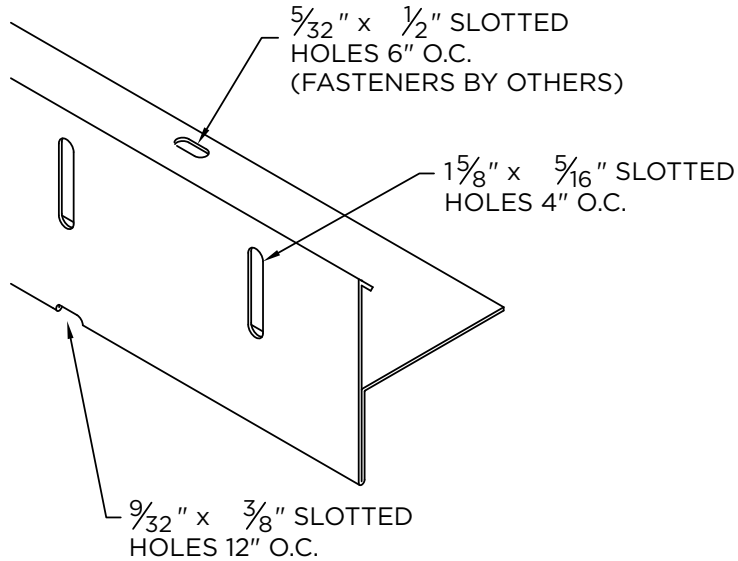




FLOW-THRU DRAIN BAR

NOTES

- Includes concealed splice plates at each joint that must be field caulked to prevent water entry
- Product should be installed per provided installation instructions



PROJECT INFO

Project Name: _____

Architect: _____

Roofing Contractor: _____

Project Type:

By selecting this box you have verified and confirmed that dimensions, sizes, and quantities are correct. All products will be installed in strict accordance with printed instructions.

Date: _____

SHT# 1 of 1

DATE: " & ") ! \$ %

DRN BY: JJC

CKD BY: MM

8K ; . SSSSSSSSS

REV: 000070000

Elevate
 26 Century Blvd.
 Suite 205
 Nashville, TN 37214
 Contact your local
 Elevate representative.

DIMENSIONS

Face Height (H Dim)

3.75" (FT-375)

5" (FT-500)

MATERIAL

.040" Aluminum

.050" Aluminum

Color: _____

Finish: _____

QUANTITIES

_____ Lineal Feet (12'-0" Lengths)