

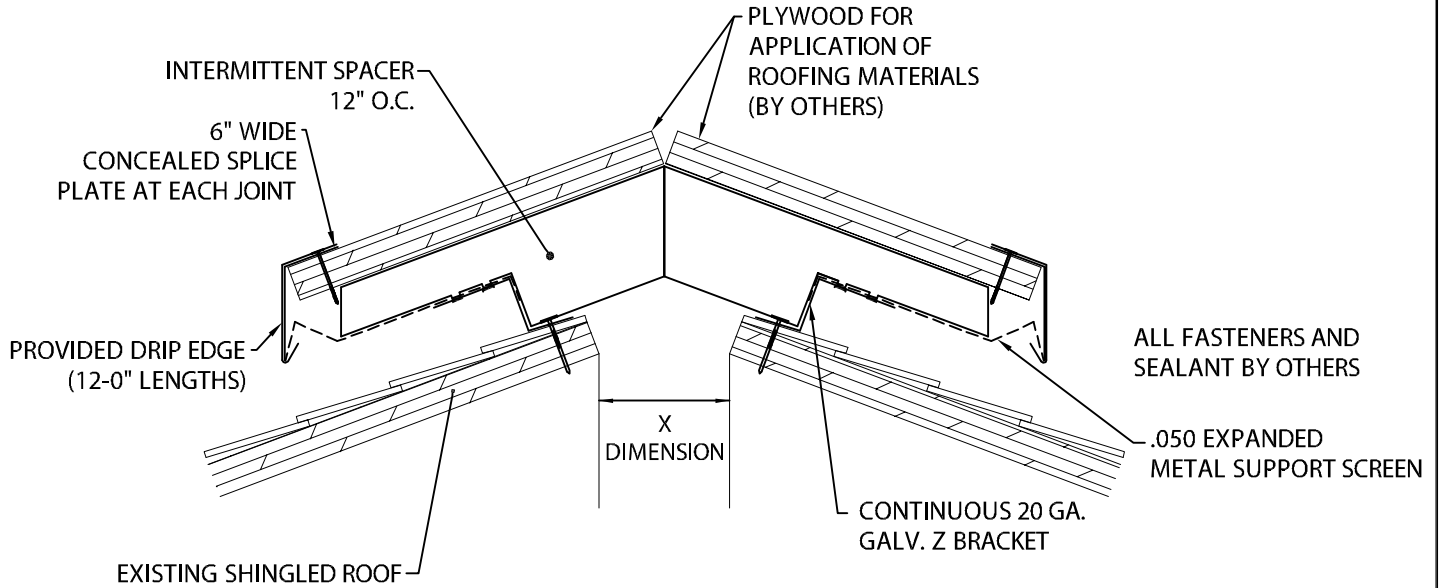
TECHNI-FLO RV

SLOPE TO SLOPE, SHINGLED, FIELD ROOFED VERSION

INSTALLATION INSTRUCTIONS

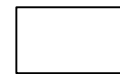
U.S. PATENT PENDING

DETAIL A



CAUTION! INSTALLERS SHALL WEAR PROTECTIVE EYE WEAR TO PREVENT INJURY. DO NOT OVERDRIVE FASTENERS, AS STRIPPING CAN OCCUR AT HIGH DRIVER TORQUE. RECOMMENDED DRIVING TOOL: 600 - 800 rpm ELECTRIC DRILL EQUIPPED WITH DEPTH-SENSING NOSE-PIECE TO PREVENT DRIVING AND STRIPOUT. DO NOT USE IMPACT TYPE TOOL.

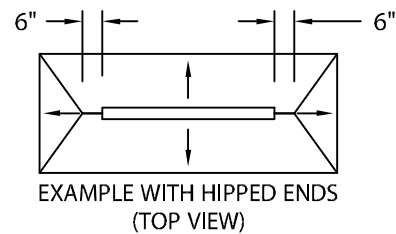
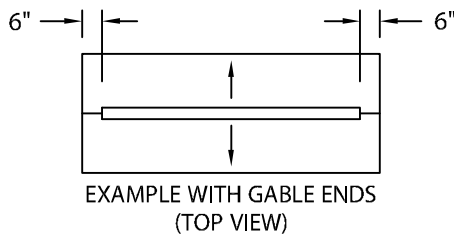
ATLAS ROOFING
PROCESS ENGINEER
PLEASE SPECIFY



X DIMENSION


IMPORTANT! BE SURE TO REMOVE PROTECTIVE PLASTIC FILM PRIOR TO INSTALLING EACH COVER SECTION.

NOTE: ALL FASTENERS MUST MEET MINIMUM 240 LB. PULL-OUT FOR SUBSTRATE.



1. PREPARE RIDGE

CUT OPENING AT RIDGE "X" DIMENSION. END THE OPENING 6" BEFORE GABLE OR HIPPED END.

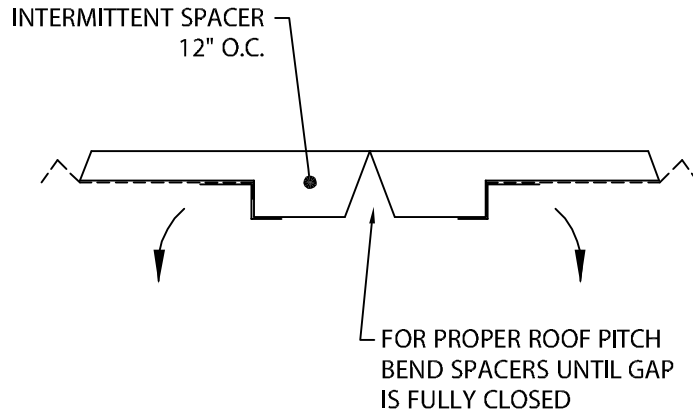
		Phone: 855-542-0918 Fax: 800-770-3934 atlasroofing.com
DATE: 03/11/16	SHT.# 1 OF 5	
DRN BY: JJC	DWG# 38124-23653	
CKD BY: SAK	A	

TECHNI-FLO RV

SLOPE TO SLOPE, SHINGLED, FIELD ROOFED VERSION

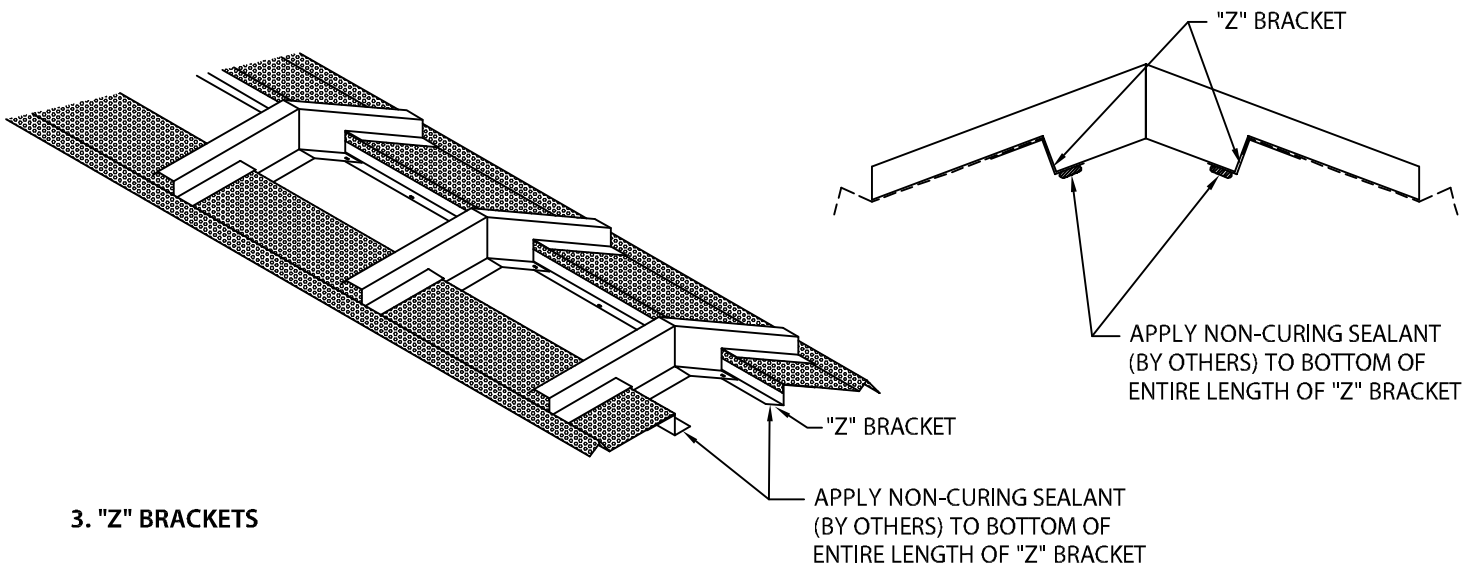
INSTALLATION INSTRUCTIONS

U.S. PATENT PENDING



2. RIDGE VENT

THE RIDGE VENT IS MANUFACTURED TO BEND TO ACCOMMODATE ONE SPECIFIC ROOF PITCH. BEND RIDGE VENT UNTIL SPACES IN THE INTERMITTENT SPACERS ARE CLOSED. THIS CAN BE DONE AHEAD OF TIME ON THE GROUND OR ON THE ROOF.



3. "Z" BRACKETS

TO PREVENT MOISTURE ENTRY UNDER THE "Z", APPLY A GENEROUS BEAD OF NON-CURING SEALANT (BY OTHERS) ALONG ENTIRE LENGTH OF BOTTOM OF FLANGE.

Techni-Flo
Engineered Roof Ventilation

Phone: 855-542-0918

Fax: 800-770-3934

atlasroofing.com

DATE: 03/11/16

SHT.# 2 OF 5

DRN BY: JJC

CKD BY: SAK

DWG# 38124-23653

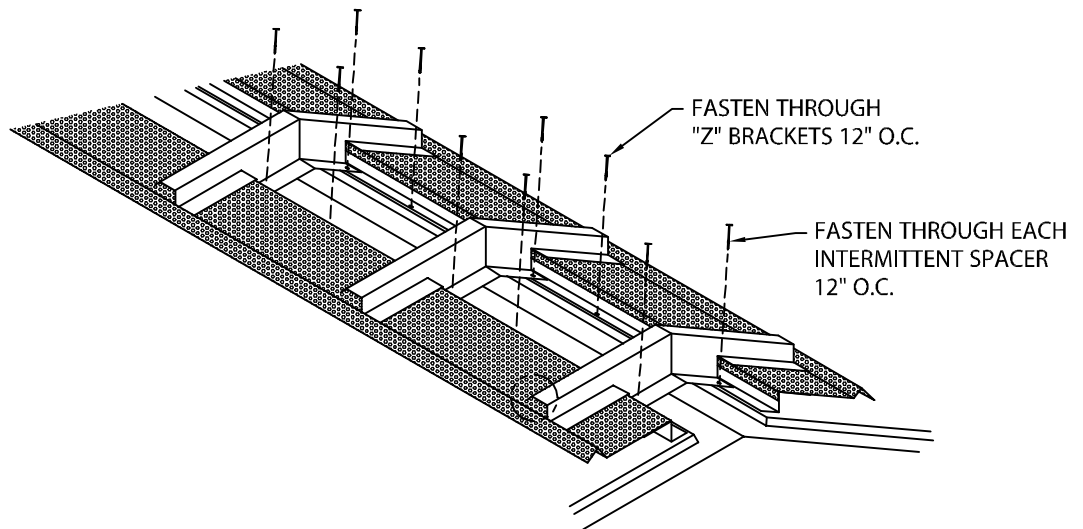
A

TECHNI-FLO RV

SLOPE TO SLOPE, SHINGLED, FIELD ROOFED VERSION

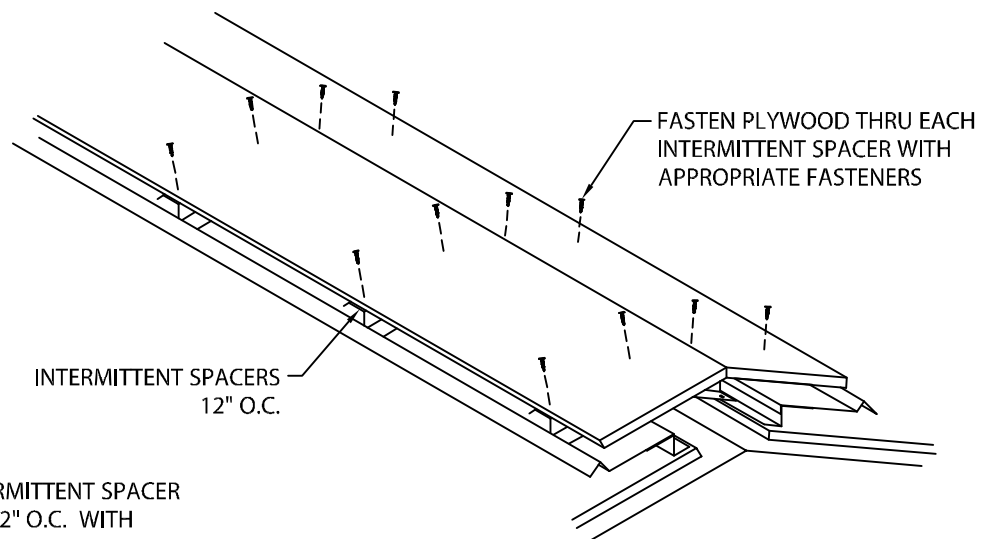
INSTALLATION INSTRUCTIONS

U.S. PATENT PENDING



4. RIDGE VENT

SET RIDGE VENT IN PLACE CENTERED OVER RIDGE OPENING. FASTEN THROUGH PRE-PUNCHED SLOTTED HOLES IN INTERMITTENT SPACERS AT 12" O.C. WITH APPROPRIATE FASTENERS. ALSO FASTEN THROUGH PRE-PUNCHED SLOTTED HOLES IN "Z" BRACKETS 12" O.C.. LAP "Z" BRACKETS 1" ("Z" BRACKETS WILL LAP AND EXPANDED METAL SUPPORT SCREEN WILL BUTT UP TOGETHER).



5. PLYWOOD

PLACE PLYWOOD ON TOP OF INTERMITTENT SPACER AND FASTEN TO SPACER FLANGE 12" O.C. WITH APPROPRIATE FASTENERS.



Phone: 855-542-0918

Fax: 800-770-3934

atlasroofing.com

DATE: 03/11/16

SHT.# 3 OF 5

DRN BY: JJC

CKD BY: SAK

DWG# 38124-23653

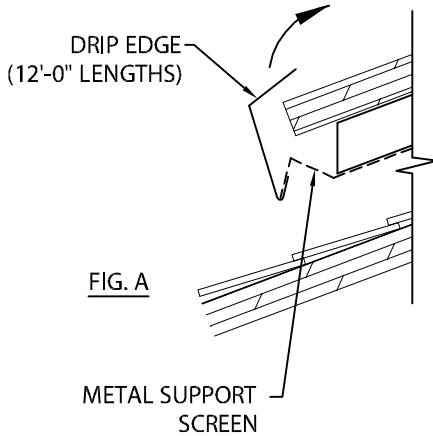
A

TECHNI-FLO RV

SLOPE TO SLOPE, SHINGLED, FIELD ROOFED VERSION

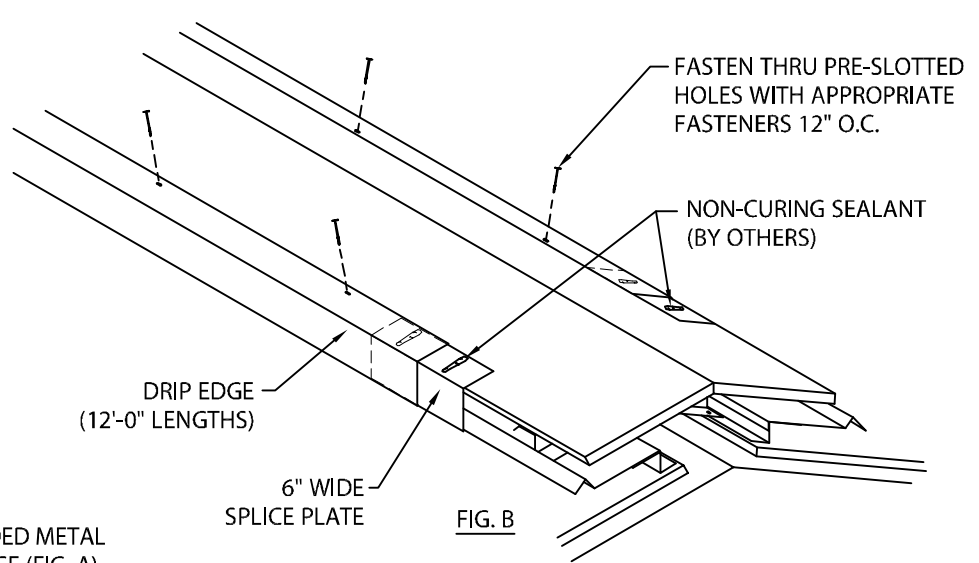
INSTALLATION INSTRUCTIONS

U.S. PATENT PENDING



6. DRIP EDGE

HOOK DRIP EDGE SECTION ONTO EXPANDED METAL SUPPORT SCREEN AND ROTATE INTO PLACE (FIG. A). FASTEN THRU SLOTTED HOLES 12" O.C. WITH APPROPRIATE FASTENERS. LOCATE 6" WIDE SPLICE PLATES AT EACH JOINT. APPLY NON-CURING SEALANT (BY OTHERS) TO TOP OF SPLICE PLATE AS SHOWN (FIG B).



7. SPLICE PLATE

CONTINUE INSTALLING DRIP EDGE SECTIONS ALLOWING A $\frac{3}{8}$ " SPACE BETWEEN SECTIONS AS SHOWN. FIELD CUT AS NECESSARY.

NOTE: REMOVE PROTECTIVE FILM IMMEDIATELY.

Techni-Flo
Engineered Roof Ventilation

Phone: 855-542-0918

Fax: 800-770-3934

atlasroofing.com

DATE: 03/11/16

SHT.# 4 OF 5

DRN BY: JJC

DWG# 38124-23653

CKD BY: SAK

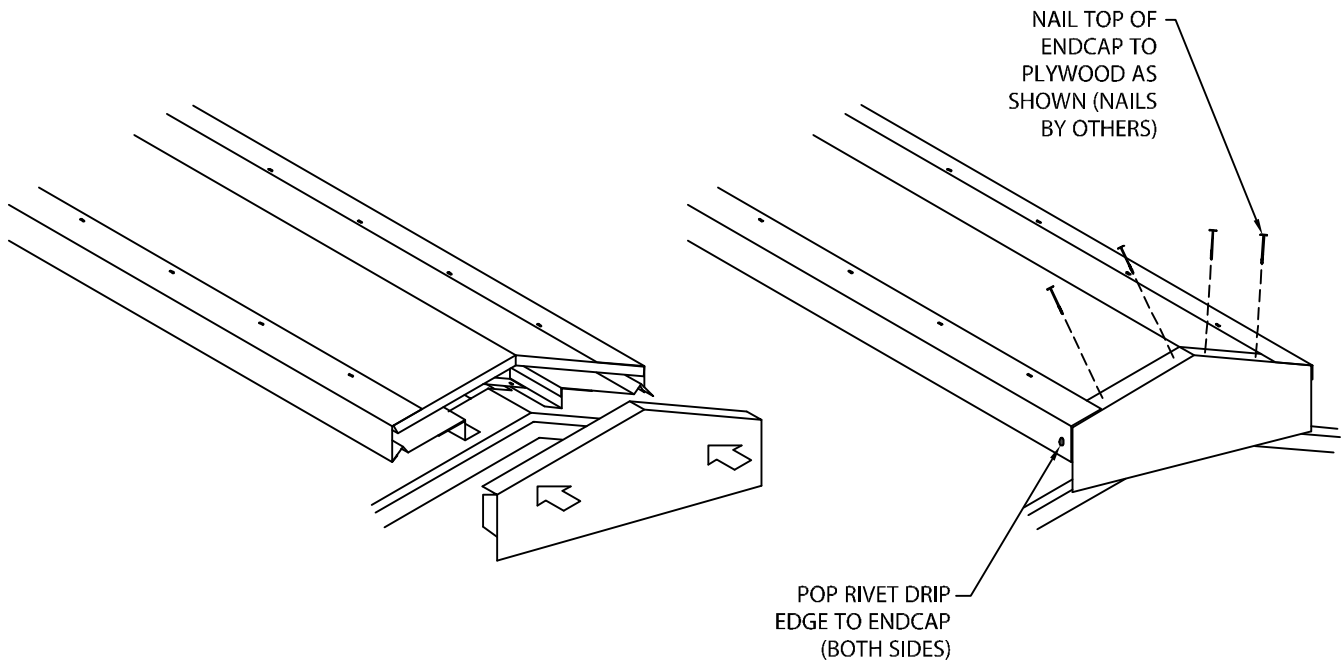
A

TECHNI-FLO RV

SLOPE TO SLOPE, SHINGLED, FIELD ROOFED VERSION

INSTALLATION INSTRUCTIONS

U.S. PATENT PENDING



8. ENDCAPS

SLIDE ENDCAP BETWEEN PLYWOOD AND DRIP EDGE. REMOVE PROTECTIVE FILM IMMEDIATELY. POP RIVET BOTH SIDES OF DRIP EDGE TO ENDCAP. NAIL TOP FLANGE OF ENDCAP TO PLYWOOD AS SHOWN (ALL FASTENERS BY OTHERS).



Phone: 855-542-0918

Fax: 800-770-3934

atlasroofing.com

DATE: 03/11/16

SHT.# 5 OF 5

DRN BY: JJC

CKD BY: SAK

DWG# 38124-23653

A