

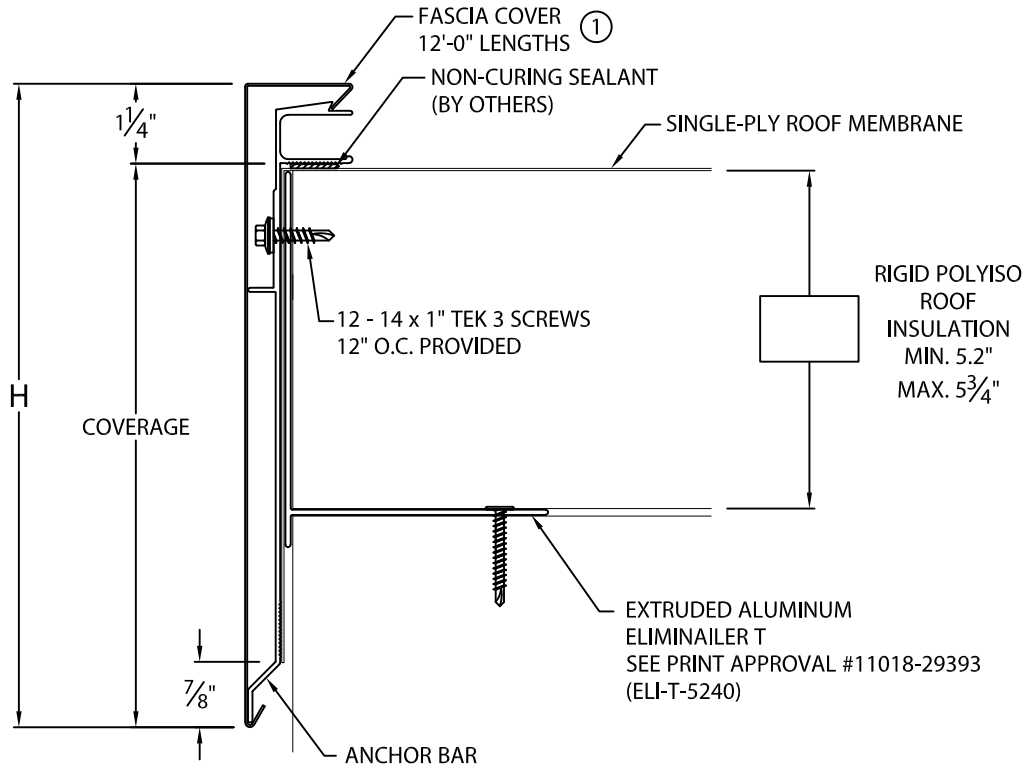


# ANCHOR-TITE HG FOR USE WITH ELIMINAILER®-T

5.2", 4" FLANGE ELIMINAILER VERSION

FOR USE WITH METAL DECK

U.S. PATENT # 9,878,023 B1



## NOTES:

- ① FASCIA COVER PROVIDED WITH 3<sup>1</sup>/<sub>2</sub>" WIDE SPLICE PLATES.
- ② NOT AVAILABLE IN 24 GA. GALV. STEEL OR .040" ALUMINUM.

## ANCHOR-TITE HG DIMENSIONS

PRODUCT ID. NO.	H DIM	COVERAGE
<input type="checkbox"/> T-HG-AF-85	8 <sup>1</sup> / <sub>2</sub> "	7 <sup>1</sup> / <sub>4</sub> "
<input type="checkbox"/> T-HG-AF-100 ②	10"	8 <sup>3</sup> / <sub>4</sub> "

Fabrication will proceed only after receipt of signed print approval.

## Print Approval:

Architect and/or contractor shall verify all dimensions, sizes and quantities. All products to be installed in strict accordance with Metal-Era's printed instructions.

Approved by: \_\_\_\_\_

Date: \_\_\_\_\_

## HG COVER MATERIAL:

- \_\_\_\_ 24 GA. GALVANIZED STEEL      COLOR: \_\_\_\_\_
- \_\_\_\_ 22 GA. GALVANIZED STEEL      FINISH: \_\_\_\_\_
- \_\_\_\_ .040" ALUMINUM
- \_\_\_\_ .050" ALUMINUM
- \_\_\_\_ .063" ALUMINUM
- \_\_\_\_ OTHER \_\_\_\_\_

## QUANTITIES:

- \_\_\_\_ LINEAL FEET 12'-0" LENGTHS
  - \_\_\_\_ OUTSIDE MITER(S) @ 90°
  - \_\_\_\_ INSIDE MITER(S) @ 90°
  - \_\_\_\_ OVERFLOW SCUPPER(S)    STYLE \_\_\_\_A\_\_\_\_B
  - \_\_\_\_ SPILLOUT SCUPPER(S)    STYLE \_\_\_\_A\_\_\_\_B
  - \_\_\_\_ DOWNSPOUT(S)    STYLE \_\_\_\_A\_\_\_\_B (\_\_\_\_x\_\_\_\_) DOWNSPOUT SIZE
- A: TAPERED 1 1/2" DROP    B: FLAT

FOR NON-90 MITERS SEE PRINT APPROVAL #11010-1103

PROJECT:

ARCHITECT:

ROOFING CONTRACTOR:

REPRESENTATIVE/DISTRIBUTOR:

Corporate Offices, Manufacturing  
1600 Airport Road; Waukesha, WI 53188  
Phone: 800-558-2162  
Fax: 800-373-9156  
www.metalera.com



DATE: 08/30/18

DRN BY: JJC

CKD BY: SAK

SHT.# \_\_\_\_ OF \_\_\_\_

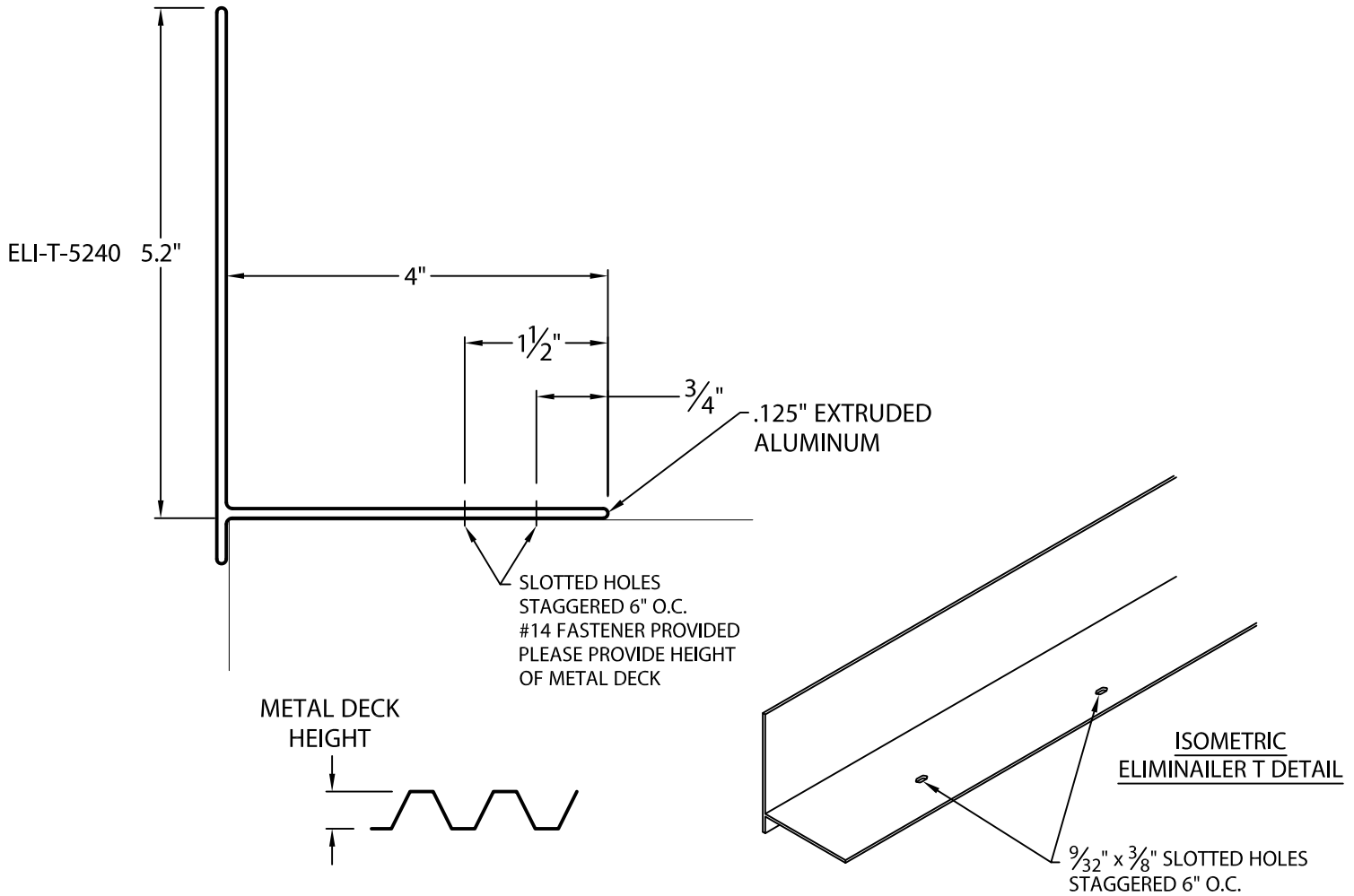
DWG#11010-29632

A

# ELIMINAILER®-T

FOR USE WITH METAL DECK, 5.2", 4" FLANGE VERSION

U.S. PATENT # 9,878,023 B1



Fabrication will proceed only after receipt of signed print approval.

## Print Approval:

Architect and/or contractor shall verify all dimensions, sizes and quantities. All products to be installed in strict accordance with Metal-Era's printed instructions.

Approved by: \_\_\_\_\_

Date: \_\_\_\_\_

METAL DECK (22 GA. OR 20 GA. ONLY):

METAL DECK HEIGHT: \_\_\_\_\_

### QUANTITIES:

\_\_\_\_\_ LINEAL FEET 12'-0" LENGTHS

PROJECT:

ARCHITECT:

ROOFING CONTRACTOR:

REPRESENTATIVE/DISTRIBUTOR:

Corporate Offices, Manufacturing  
1600 Airport Road; Waukesha, WI 53188  
Phone: 800-558-2162  
Fax: 800-373-9156  
www.metalera.com



DATE: 07/30/18

DRN BY: JJC

CKD BY: SAK

SHT.# \_\_\_\_ OF \_\_\_\_

DWG# 11018-29393

A