

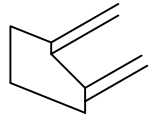
REFERENCE DETAIL:

# TECHNI-FLO RV

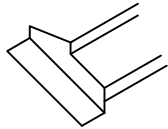
## SLOPED ROOF MEETS HIGH WALL

U.S. PATENT # 7,823,343 B1

### ENDCAPS

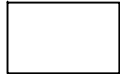


STYLE A  
(LEFT HAND ENDCAP SHOWN)

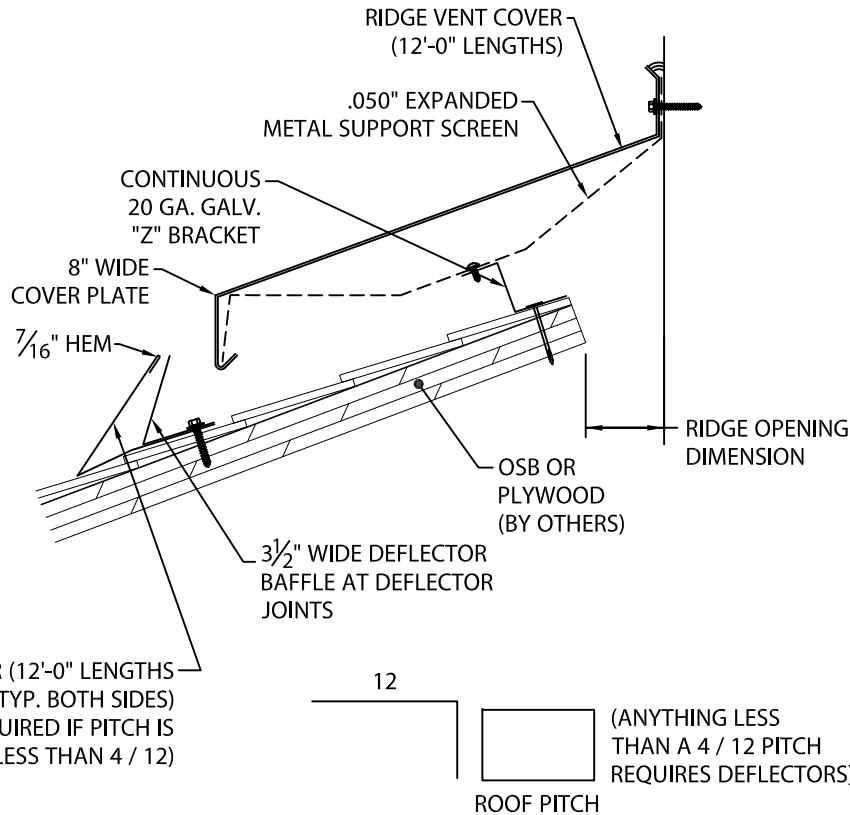


STYLE B  
(HIGH WALL OR ROOF PENETRATION SUCH AS AT A DORMER OR CHIMNEY. LEFT HAND ENDCAP SHOWN)

SHINGLED ROOF SHOWN IF STANDING SEAM CONDITION, PLEASE SUPPLY HEIGHT OF STANDING SEAM



ALL FASTENERS AND SEALANT BY OTHERS



THE RIDGE OPENING MAY BE PROVIDED BY ONE OF TWO METHODS:

1. THE ACTUAL KNOWN

RIDGE OPENING

OR

NFA

OR

2. FIELD OR PLAN CONDITION MEASUREMENTS:

ACTUAL LINEAL FOOTAGE OF RIDGE

ACTUAL LINEAL FOOTAGE OF EAVE

VENTILATION TYPE:

VENTED NAILBASE

\_\_\_\_\_ AIR SPACE DIMENSION OF VENTED NAILBASE

OR

ATTIC

\_\_\_\_\_ ATTIC FLOOR SQUARE FOOTAGE

\_\_\_\_\_ RIDGE BEAM WIDTH IF APPLICABLE

Fabrication will proceed only after receipt of signed print approval.

### Print Approval:

Architect and/or contractor shall verify all dimensions, sizes and quantities. All products to be installed in strict accordance with Atlas Roofing's printed instructions.

Approved by: \_\_\_\_\_

Date: \_\_\_\_\_

### COVER MATERIAL:

24 GA. GALV. STEEL

.040" ALUMINUM

.050" ALUMINUM

.063" ALUMINUM

OTHER \_\_\_\_\_

COLOR: \_\_\_\_\_

FINISH: \_\_\_\_\_

### QUANTITIES:

\_\_\_\_\_ LINEAL FEET (12'-0" LENGTHS)

\_\_\_\_\_ RIGHT ENDCAP(S) (12" LENGTHS, COVER ONLY)

\_\_\_\_ STYLE A \_\_\_\_ STYLE B

\_\_\_\_\_ LEFT ENDCAP(S) (12" LENGTHS, COVER ONLY)

\_\_\_\_ STYLE A \_\_\_\_ STYLE B

PROJECT:

ARCHITECT:

CONTRACTOR:

REPRESENTATIVE:



Phone: 855-542-0918

Fax: 800-770-3934

atlasroofing.com

DATE: 08/28/17

SHT.# \_\_\_\_ OF \_\_\_\_

DRN BY: JAB

CKD BY: SAK

DWG# 38024-10917