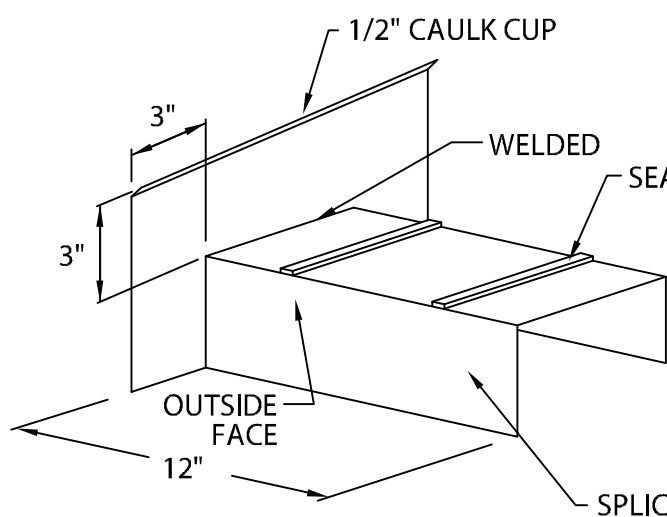
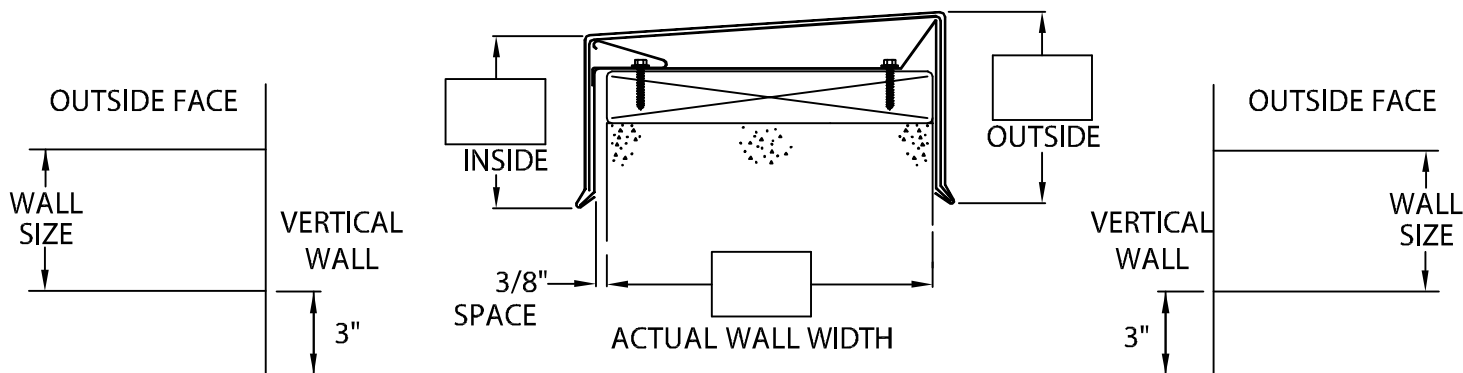
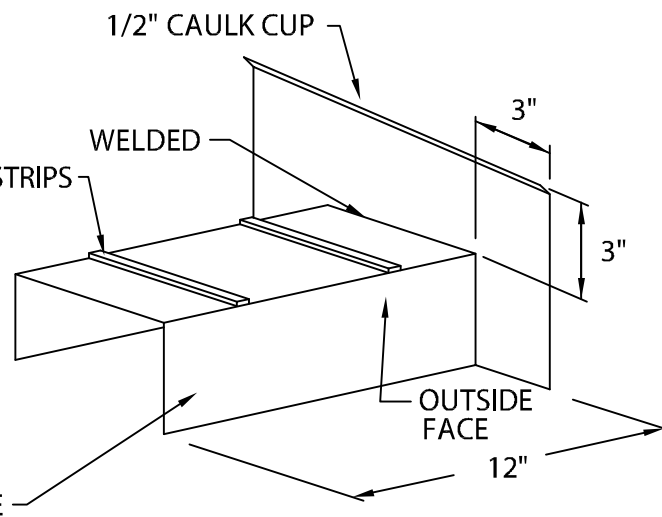


# ENDWALL FLASHING

SPLICE PLATE VERSION



**RIGHT END**



**LEFT END**

DIRECTION IS DETERMINED AS SEEN FROM ROOF SIDE

**MATERIAL:**

.040" ALUMINUM

COLOR: \_\_\_\_\_

FINISH: \_\_\_\_\_

**QUANTITIES:**

\_\_\_\_\_ RIGHT END FLASHING

\_\_\_\_\_ LEFT END FLASHING

AUTHORIZED SIGNATURE:

APPROVED BY: \_\_\_\_\_

DATE: \_\_\_\_\_

PROJECT:

ARCHITECT:

ROOFING CONTRACTOR:

REPRESENTATIVE/DISTRIBUTOR:

**Customer Service**  
866-458-3537  
(Metal-Era)



DATE: 02/27/14

DRN BY: JJC

CKD BY: SAK

SHT.# \_\_\_\_ OF \_\_\_\_

DWG# 15011-10206

**B**