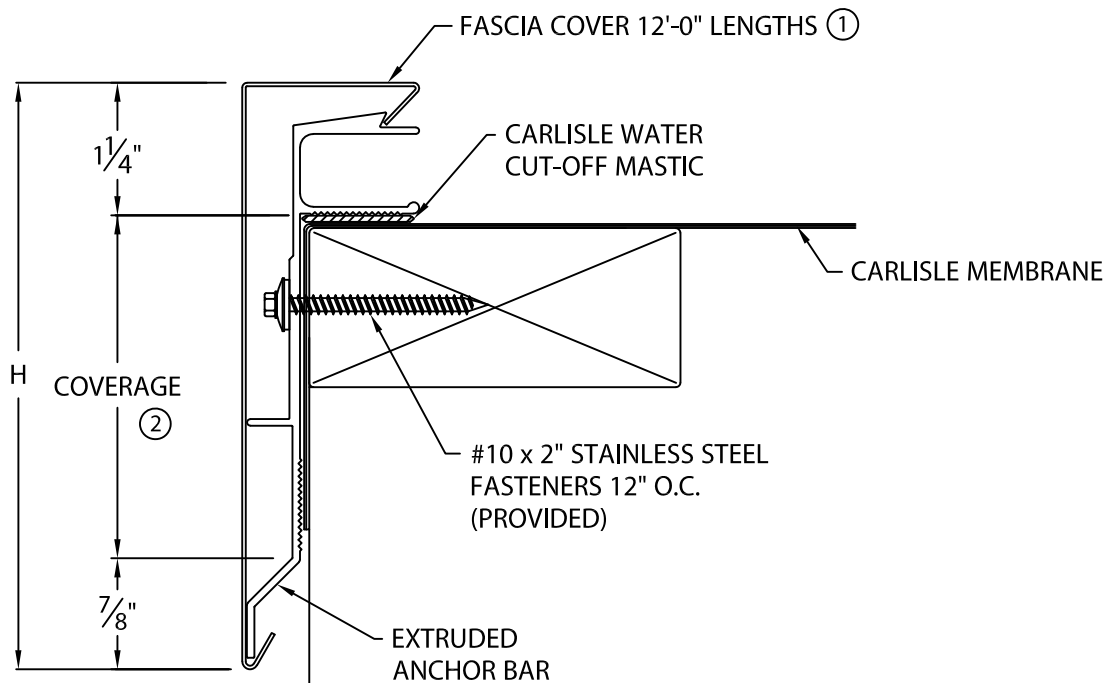




SECUREDGE 2000 HG FASCIA

FULLY ADHERED OR MECHANICALLY ATTACHED SINGLE-PLY VERSION

ANSI/SPRI ES-1 TESTED



NOTES:

- ① FASCIA COVER PROVIDED WITH $3\frac{1}{2}$ " WIDE SPLICE PLATES.
- ② TYPICALLY COVERAGE SHOULD EXTEND A MIN. OF $1\frac{1}{2}$ " BELOW WOOD BLOCKING IF APPLICABLE.
- ③ NOT AVAILABLE IN 24 GA. GALV. STEEL OR .040" ALUMINUM.

SECUREDGE 2000 HG FASCIA DIMENSIONS

PRODUCT ID. NO.	H DIM	COVERAGE	
<input type="checkbox"/> HG-AF-40	4"	$1\frac{7}{8}$ "	
<input type="checkbox"/> HG-AF-55	$5\frac{1}{2}$ "	$3\frac{3}{8}$ "	
<input type="checkbox"/> HG-AF-70	7"	$4\frac{7}{8}$ "	
<input type="checkbox"/> HG-AF-85	$8\frac{1}{2}$ "	$6\frac{3}{8}$ "	
<input type="checkbox"/> HG-AF-100 ③	10"	$7\frac{7}{8}$ "	

Fabrication will proceed only after receipt of signed print approval.

Print Approval:

Architect and/or contractor shall verify all dimensions, sizes and quantities. All products to be installed in strict accordance with Carlisle's printed instructions.

Approved by: _____

Date: _____

MATERIAL:

- _____ 24 GA. GALVANIZED STEEL COLOR: _____
- _____ 22 GA. GALVANIZED STEEL FINISH: _____
- _____ .040" ALUMINUM
- _____ .050" ALUMINUM
- _____ .063" ALUMINUM
- _____ OTHER _____

QUANTITIES:

- _____ LINEAL FEET 12'-0" LENGTHS
- _____ OUTSIDE MITER(S) @ 90°
A: TAPERED 1 1/2" DROP B: FLAT
- _____ INSIDE MITER(S) @ 90°
- _____ OVERFLOW SCUPPER(S) STYLE____A____B
- _____ SPILLOUT SCUPPER(S) STYLE____A____B
- _____ DOWNSPOUT SCUPPER(S) STYLE____A____B
- (____x____) DOWNSPOUT SIZE A: TAPERED 1 1/2" DROP B: FLAT

FOR NON-90 MITERS SEE PRINT APPROVAL #15010-1625

PROJECT: _____

ARCHITECT: _____

ROOFING CONTRACTOR: _____

REPRESENTATIVE/DISTRIBUTOR: _____

Customer Service
866-458-3537
(Metal-Era)



DATE: 01/29/20

DRN BY: JJC

CKD BY: JAI

SHT.# ____ OF ____

DWG# 15010-5558

I