

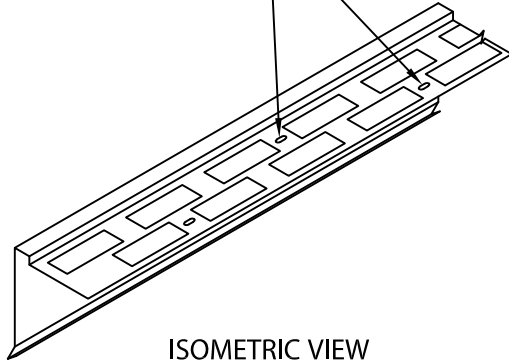


# JOHNS MANVILLE FLASH-THRU DRIP EDGE

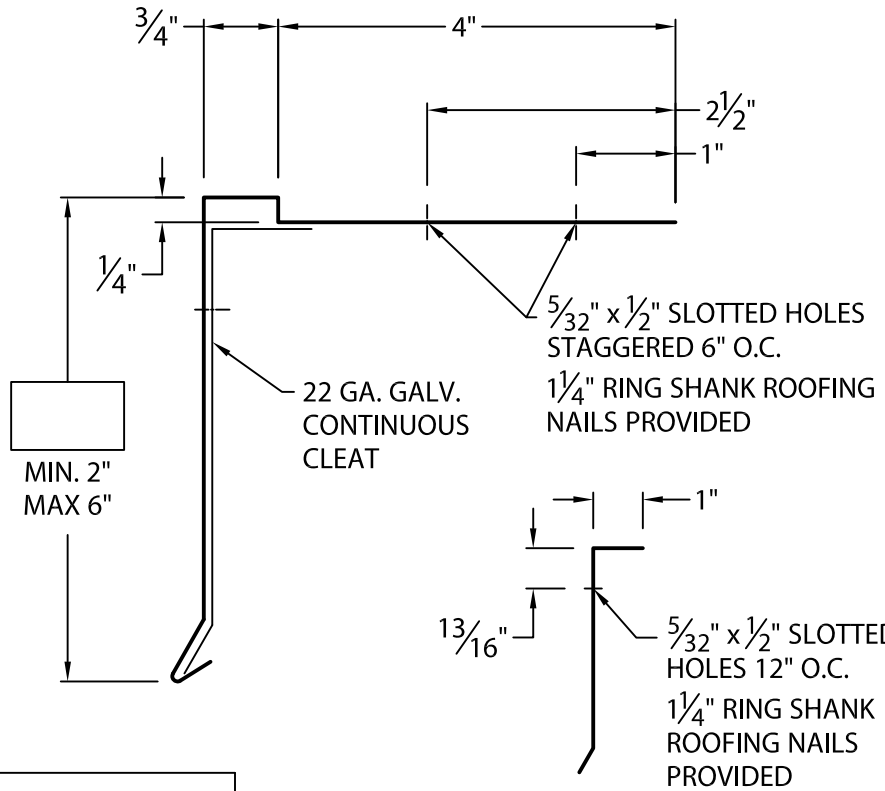
6" MAX. FACE HEIGHT, BUILT-UP OR MODIFIED VERSION WITH CONTINUOUS CLEAT

ANSI/SPRI ES-1 DESIGN PRESSURE UP TO 276 psf

5/32" x 1/2" SLOTTED HOLES STAGGERED 6" O.C.



ISOMETRIC VIEW



CLEAT DETAIL

## NOTES:

- INCLUDES 6" WIDE CONCEALED SPLICE PLATES.
- CONCEALED SPLICE PLATE MUST BE FIELD CAULKED TO PREVENT WATER ENTRY.
- UNLESS OTHERWISE NOTED, FABRICATION OF MITERS AND ACCESSORIES ARE FURNISHED STANDARD UTILIZING A NON-PENETRATING QUICKLOCK JOINT, THEN FACTORY SEALED WATERTIGHT.

Fabrication will proceed only after receipt of signed print approval.

## Print Approval:

Architect and/or contractor shall verify all dimensions, sizes and quantities. All products to be installed in strict accordance with Johns Manville's printed instructions.

Approved by: \_\_\_\_\_

Date: \_\_\_\_\_

### WELDED MITERS AND ACCESSORIES

CHECK ONE  REQUIRED (SURCHARGE)  NOT APPLICABLE

## MATERIAL:

\_\_\_ 24 GA. GALVANIZED STEEL  
 \_\_\_ .040" ALUMINUM COLOR: \_\_\_\_\_  
 \_\_\_ .050" ALUMINUM FINISH: \_\_\_\_\_  
 \_\_\_ .063" ALUMINUM  
 \_\_\_ OTHER \_\_\_\_\_

## QUANTITIES:

\_\_\_\_\_ LINEAL FEET (12'-0" LENGTHS)  
 \_\_\_\_\_ OUTSIDE MITERS @ 90°  
 \_\_\_\_\_ INSIDE MITERS @ 90°

FOR NON-90° MITERS SEE PRINT APPROVAL #16010-2320

PROJECT:

ARCHITECT:

ROOFING CONTRACTOR:

REPRESENTATIVE/DISTRIBUTOR:

51 Lexington Street; Lewiston, ME 04240  
 CUSTOMER SERVICE: 800-223-8317 USA  
 800-445-1500 Canada  
 TECHNICAL SERVICE: 800-445-1500 USA & Canada  
 FAX: 207-784-0125  
 OTHER AREAS CALL: 207-784-0123



DATE: 02/25/19

DRN BY: ZS

CKD BY: SAK

SHT.# \_\_\_ OF \_\_\_

DWG# 16010-21140

I