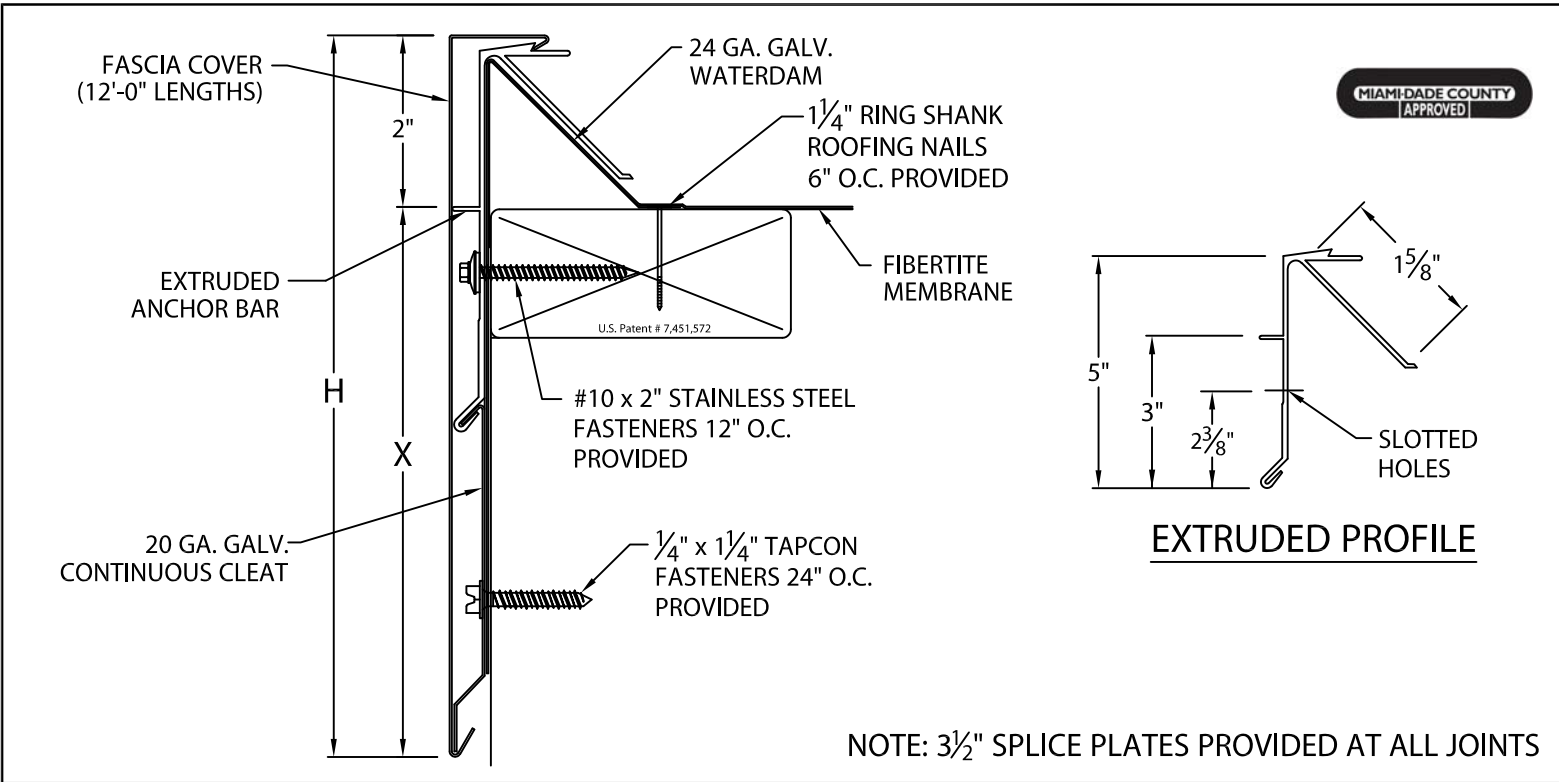




FIBERTITE EXTENDED CANTED FASCIA

GALVANIZED WATERDAM VERSION

ANSI/SPRI ES-1 DESIGN PRESSURE OF 139 psf



NOTE: 3 1/2" SPLICE PLATES PROVIDED AT ALL JOINTS

FIBERTITE EXTENDED CANTED FASCIA DIMENSIONS

PRODUCT I.D. NO.	H DIM	X DIM
<input type="checkbox"/> AEFC-902	9"	7"
<input type="checkbox"/> AEFC-1052	10 1/2"	8 1/2"
<input type="checkbox"/> AEFC-1202	12"	10"
<input type="checkbox"/> AEFC-1352	13 1/2"	11 1/2"

MATERIAL:

___ 22 GA. GALV. STEEL ___ .063" ALUMINUM
 ___ .050" ALUMINUM ___ OTHER _____
 COLOR: _____ FINISH: _____

Fabrication will proceed only after receipt of signed print approval.

Print Approval:

Architect and/or contractor shall verify all dimensions, sizes and quantities. All products to be installed in strict accordance with FiberTite's printed instructions.

Approved by: _____

Date: _____

QUANTITIES:

_____ LINEAL FEET 12'-0" LENGTHS
 _____ OUTSIDE MITER(S) @ 90°
 _____ INSIDE MITER(S) @ 90°
 _____ OVERFLOW SCUPPER(S) STYLE ___ A ___ B
 _____ SPILLOUT SCUPPER(S) STYLE ___ A ___ B
 _____ DOWNSPOUT SCUPPER(S) STYLE ___ A ___ B
 (_____ X _____) SIZE A: TAPERED 1 1/2" DROP
 B: FLAT

FOR NON-90 MITERS SEE PRINT APPROVAL #23010-2417

PROJECT: _____

ARCHITECT: _____

ROOFING CONTRACTOR: _____

REPRESENTATIVE/DISTRIBUTOR: _____

Customer Service
1-800-355-6416



DATE: 03/05/19 SHT.# _____ OF _____
 DRN BY: ZS
 CKD BY: SAK DWG# 23010-2434

K