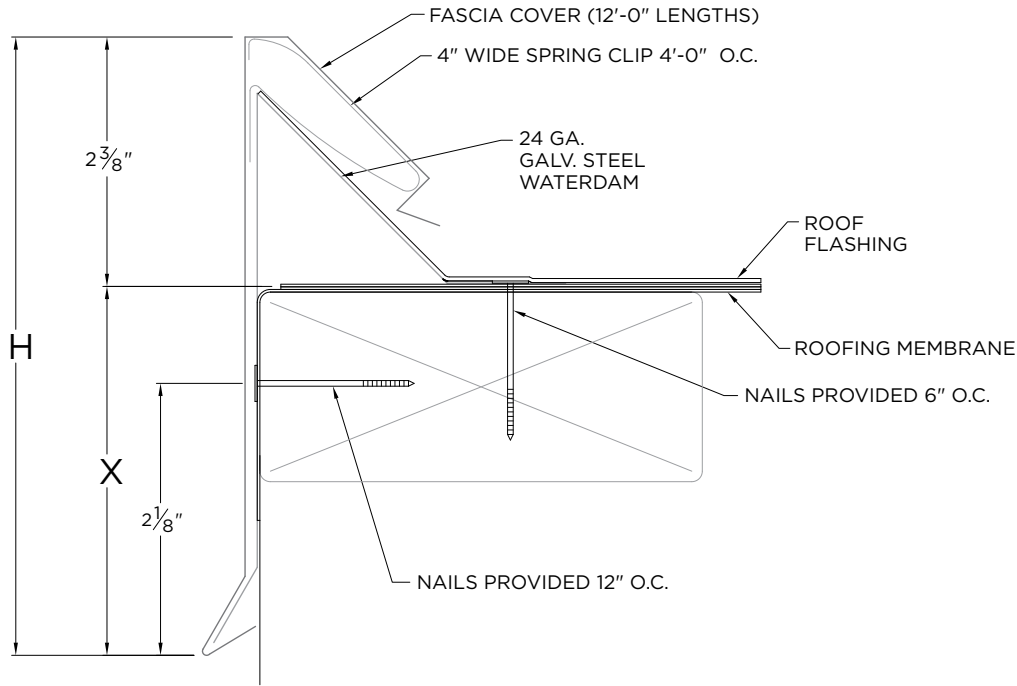




# ELEVATE SYSTEM 300 FASCIA

SNAP-ON, BUILT-UP OR MODIFIED VERSION



## NOTES

- Fascia includes splice plate at joints
- Standard fascia will not function with roof flashing thicker than 3/16"
- Oil canning can occur on larger face heights; recommend .050" or .063" for face heights above 8.25"
- Welded accessories require minimum material thickness of .050"
- Unless otherwise noted, fabrication of miters and accessories are furnished standard
- For non-90 miters, see separate print approval. Product should be installed per provided installation instructions
- ANSI/SPRI/FM 4435/ES-1 Test Pressure up to 216 psf

## APPROVALS



**ANSI/SPRI/FM 4435/ES-1**  
Test Pressures listed in notes

## PROJECT INFO

Project Name: \_\_\_\_\_

Architect: \_\_\_\_\_

Roofing Contractor: \_\_\_\_\_

### Project Type:

By selecting this box you have verified and confirmed that dimensions, sizes, and quantities are correct. All products will be installed in strict accordance with printed instructions.

Date: \_\_\_\_\_

**Elevate**  
26 Century Blvd.  
Suite 205  
Nashville, TN 37214  
Contact your local  
Elevate representative.

SHT# 1 of 1

DATE: 03/20/23

DRN BY: JJC

CKD BY: MM

DWG #: 13010-11903

REV: H

## DIMENSIONS

PRODUCT ID. NO.	H DIM	X DIM	NAILER COVERAGE
<input type="checkbox"/> FA-350	5 1/4"	2 7/8"	1 NAILER
<input type="checkbox"/> FA-365	6 3/4"	4 3/8"	2 NAILERS
<input type="checkbox"/> FA-380	8 1/4"	5 7/8"	3 NAILERS
<input type="checkbox"/> FA-395	9 3/4"	7 3/8"	4 NAILERS
<input type="checkbox"/> FA-3110	11 1/4"	8 7/8"	5 NAILERS
<input type="checkbox"/> FA-3125	12 3/4"	10 3/8"	6 NAILERS

## MATERIAL

- 24 Ga. Galv. Steel
- 22 Ga. Galv. Steel
- .040" Aluminum
- .050" Aluminum
- .063" Aluminum
- OTHER: \_\_\_\_\_

Color: \_\_\_\_\_

Finish: \_\_\_\_\_

**Substrate:**  Wood

Masonry

Metal

If substrate is not given, wood fasteners will be provided.

## QUANTITIES

\_\_\_\_\_ Lineal Feet (12'-0" Lengths)

\_\_\_\_\_ Outside Miter (90°)

\_\_\_\_\_ Inside Miter (90°)

\_\_\_\_\_ Right Endcaps

\_\_\_\_\_ Left Endcaps

\_\_\_\_\_ Right Endwall Flashing

\_\_\_\_\_ Left Endwall Flashing

Accessory Type:

Quicklock (Default)

Welded (Surcharge)

\_\_\_\_\_ Overflow Scupper  
Style A Style B

\_\_\_\_\_ Spillout Scupper  
Style A Style B

\_\_\_\_\_ Downspout Scupper  
Style A Style B

Downspout Size \_\_\_\_\_x\_\_\_\_\_

Max. Downspout Size is 5" x 6"

Custom print needed for larger sizes.  
Style A=Tapered 1.5" Drop | Style B=Flat