

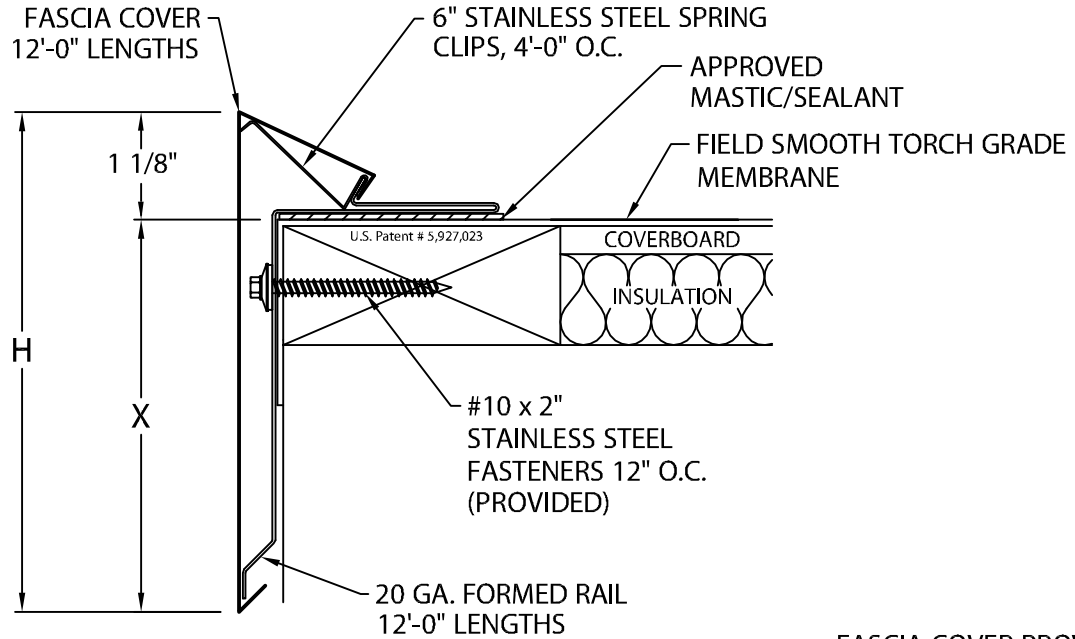


ENDURA™ -EDGE

BUILT-UP OR MODIFIED VERSION

ANSI/SPRI ES-1 DESIGN PRESSURE OF 179 psf

24 GA. AND .040" COVER MATERIAL



FASCIA COVER PROVIDED WITH 1" LAP JOINTS

ENDURA™ -EDGE DIMENSIONS

PRODUCT ID. NO.	H DIM	X DIM	NAILER COVERAGE
<input type="checkbox"/> ESE-M50	5"	3 7/8"	2 NAILERS
<input type="checkbox"/> ESE-M65	6 1/2"	5 3/8"	3 NAILERS
<input type="checkbox"/> ESE-M80	8"	6 7/8"	4 NAILERS

MATERIAL:

___ 24 GA. GALVANIZED STEEL

___ .040" ALUMINUM

___ OTHER _____

COLOR: _____ FINISH: _____

Fabrication will proceed only after receipt of signed print approval.

Print Approval:

Architect and/or contractor shall verify all dimensions, sizes and quantities. All products to be installed in strict accordance with Malarkey's printed instructions.

Approved by: _____

Date: _____

QUANTITIES:

_____ LINEAL FEET (12'-0" LENGTHS)

_____ OUTSIDE MITER(S) @ 90° (COVER ONLY)

_____ INSIDE MITER(S) @ 90° (COVER ONLY)

_____ OVERFLOW SCUPPER(S) STYLE ___A___B

_____ SPILLOUT SCUPPER(S) STYLE ___A___B

_____ DOWNSPOUT SCUPPER(S) STYLE ___A___B

(_____ X _____) SIZE A: TAPERED 1 1/2" Drop
B: FLAT

FOR NON-90 MITERS SEE PRINT APPROVAL #47010-21232

PROJECT:

ARCHITECT:

ROOFING CONTRACTOR:

REPRESENTATIVE/DISTRIBUTOR:



PHONE: 800-794-2701

DATE: 04/03/17

DRN BY: JJC

CKD BY: SAK

SHT.# _____ OF _____

DWG# 47010-21217

C