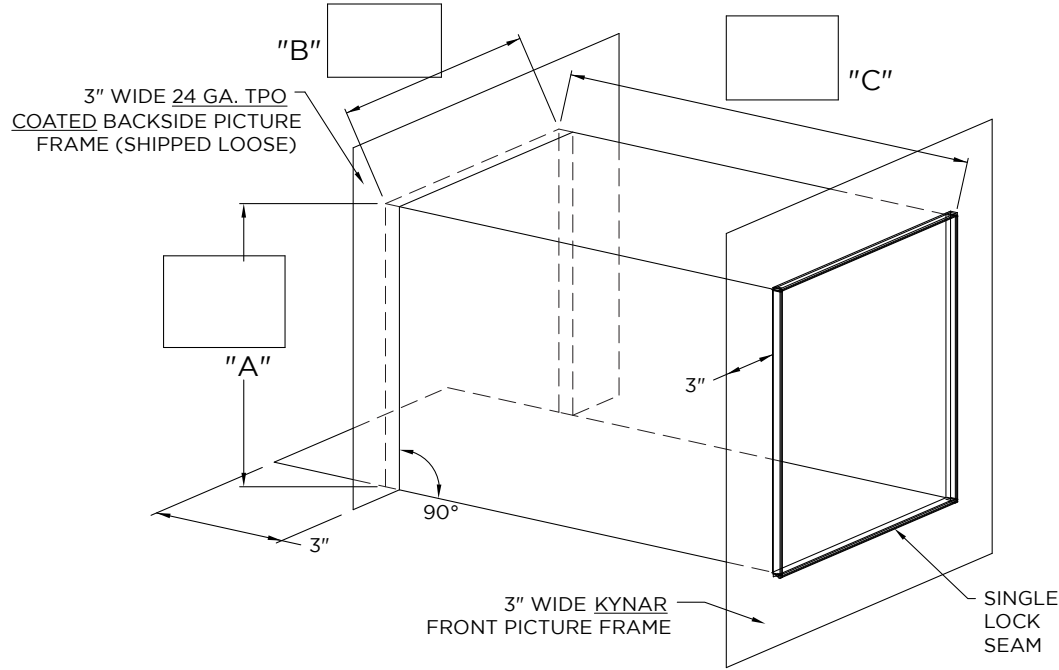




# THRU-WALL SCUPPER TPO COATED

## NOTES

- Backside and inside of box is 24 ga. TPO coated material
- Front is Kynar
- Product should be installed per provided installation instructions



## PROJECT INFO

Project Name: \_\_\_\_\_

Architect: \_\_\_\_\_

Roofing Contractor: \_\_\_\_\_

### Project Type:

By selecting this box you have verified and confirmed that dimensions, sizes, and quantities are correct. All products will be installed in strict accordance with printed instructions.

Date: \_\_\_\_\_

### Elevate

26 Century Blvd.  
Suite 205  
Nashville, TN 37214  
Contact your local  
Elevate representative.

SHT# 1 of 1

DATE: 04/07/23

DRN BY: JJC

CKD BY: MM

DWG#: 13018-24079

REV: C

## DIMENSIONS

PLEASE FILL OUT DIMENSIONS ON DRAWING

## MATERIAL (For Front Picture Frame)

- 24 Ga. Galv. Steel      Color: \_\_\_\_\_
- .040" Aluminum      Finish: \_\_\_\_\_
- .050" Aluminum

## QUANTITIES

\_\_\_\_\_ Amount Required